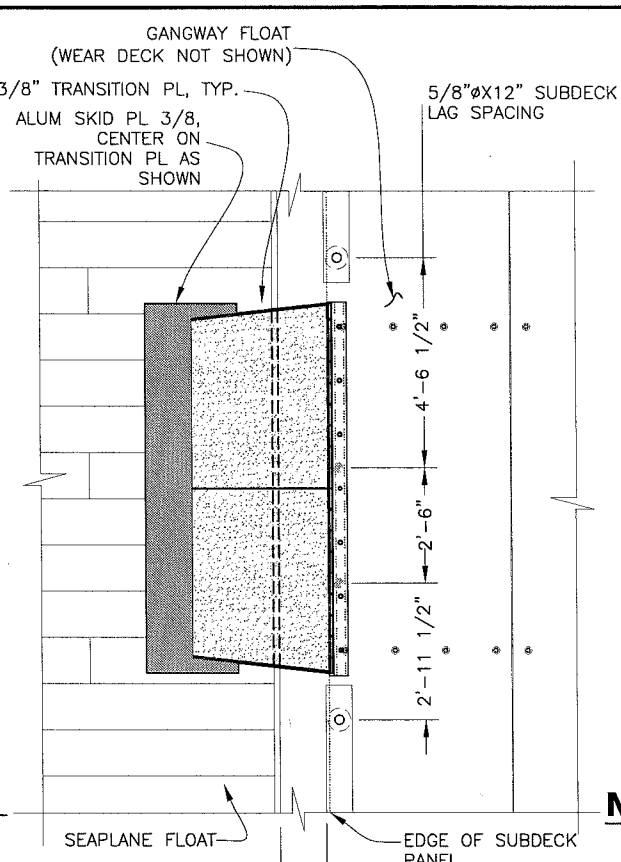
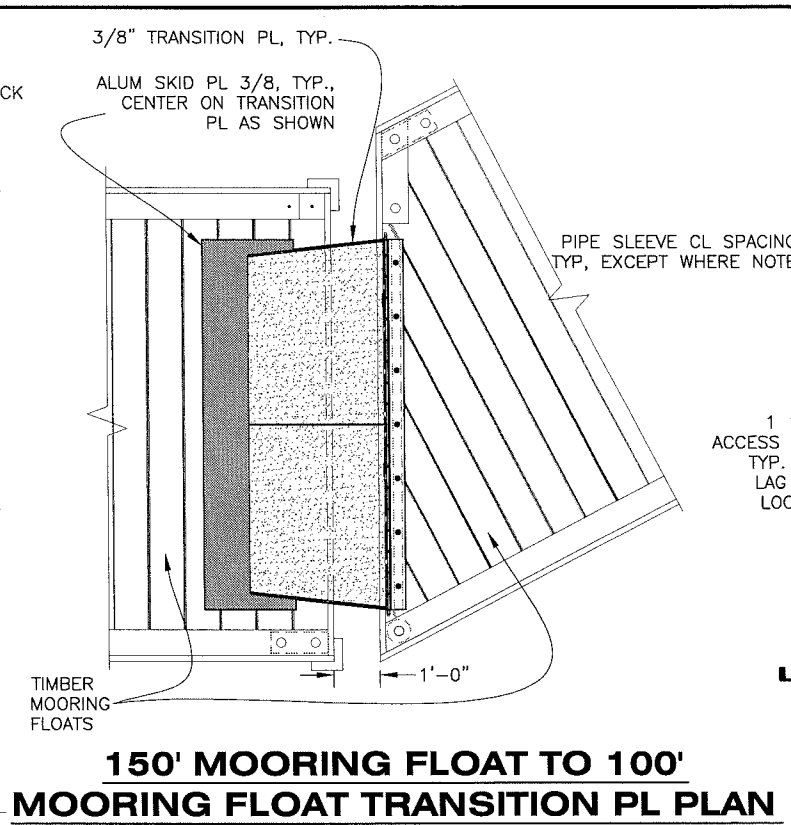


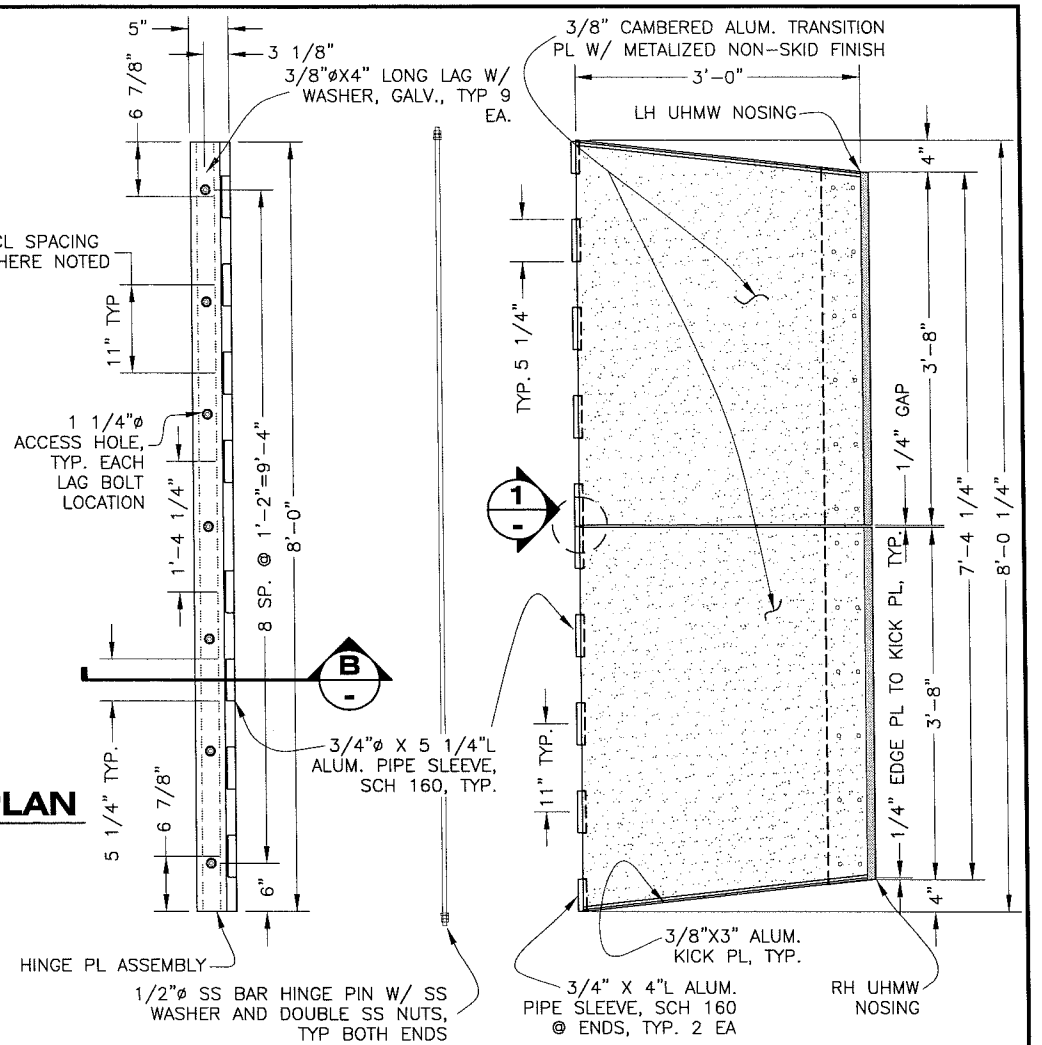
**GANGWAY FLOAT TO 150' MOORING  
FLOAT TRANSITION PL PLAN**



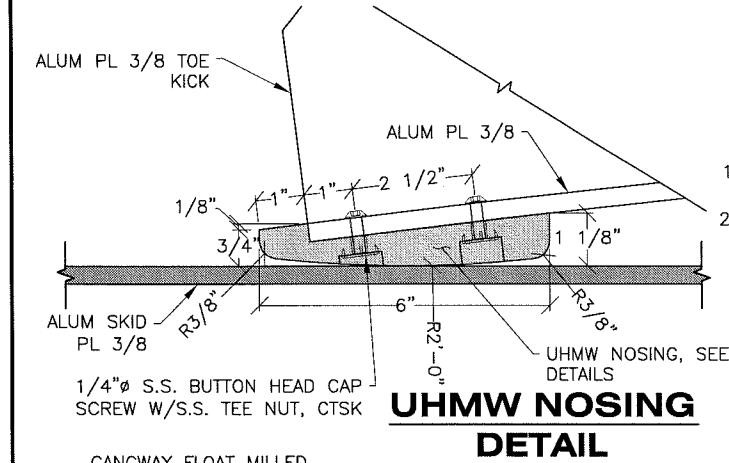
**SEAPLANE FLOAT TO GANGWAY  
FLOAT TRANSITION PL PLAN**



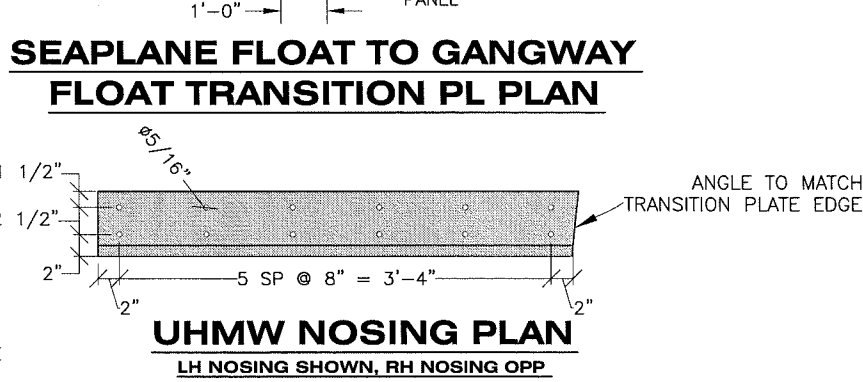
**150' MOORING FLOAT TO 100'  
MOORING FLOAT TRANSITION PL PLAN**



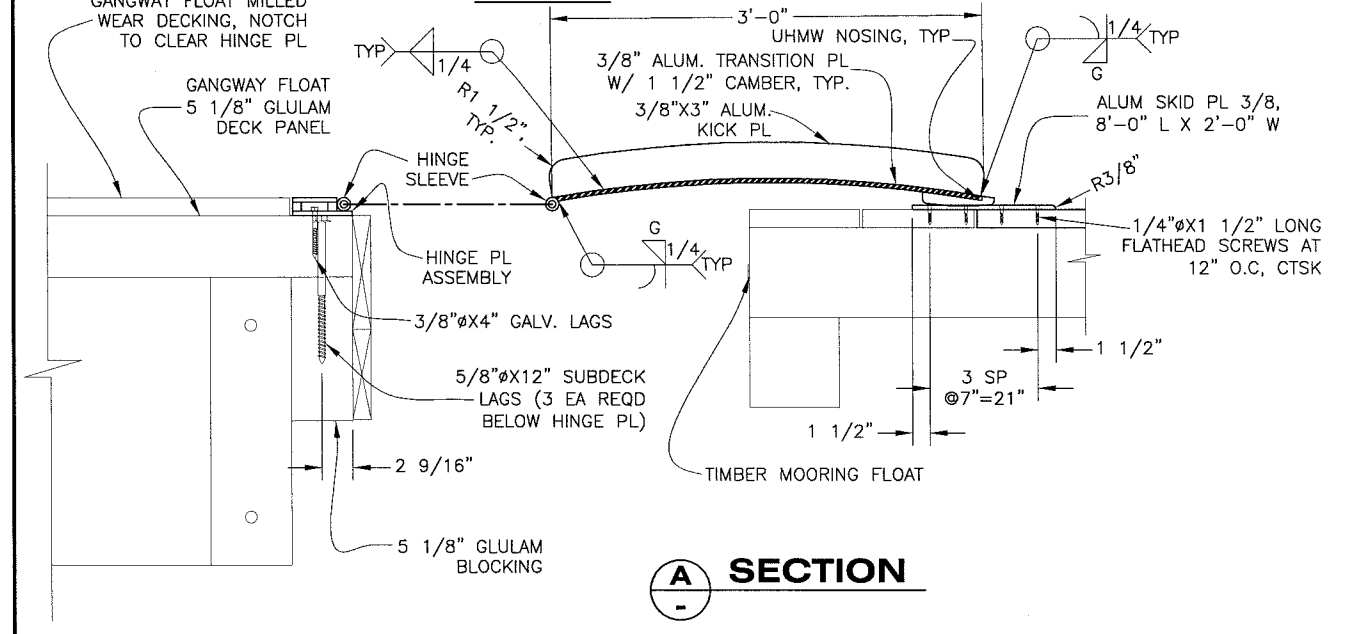
**TRANSITION PL DETAILS**



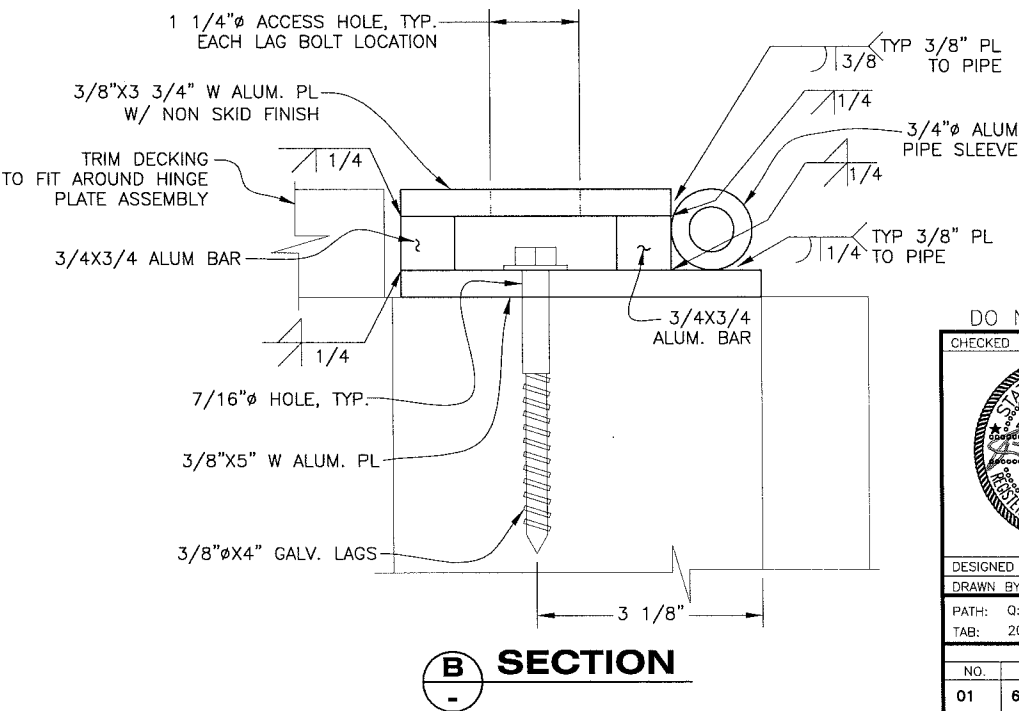
**UHMW NOSING  
DETAIL**



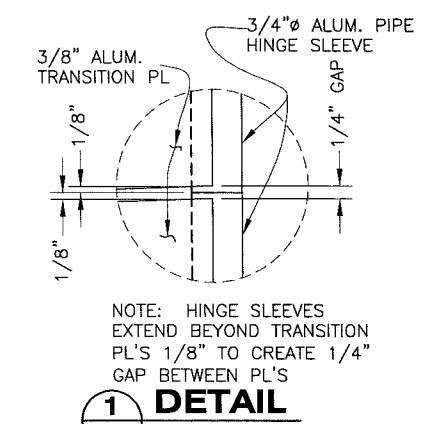
**UHMW NOSING PLAN  
LH NOSING SHOWN, RH NOSING OPP**



**A SECTION**



**B SECTION**



**1 DETAIL**

DO NOT SCALE FROM THESE DRAWINGS USE DIMENSIONS

CHECKED BY: KDM

DESIGNED BY: STAFF  
DRAWN BY: STAFF

STATE OF ALASKA  
DEPARTMENT OF TRANSPORTATION  
& PUBLIC FACILITIES  
SOUTHEAST REGION

**NAUKATI HARBOR  
IMPROVEMENTS**

**TRANSITION PLATES**

6/2/13

PATH: Q:\POW\69647\MF\PLANSET\SHEET REVISIONS\20- GW FLOAT TRANS PL\_R1\_6.12.13.DWG  
TAB: 20 Wednesday, June 12, 2013 1:05:36 PM LOWELL, DAVID H (DOT)

REVISIONS		PROJECT DESIGNATION	YEAR	SHEET NO.	TOTAL SHEETS
NO.	DATE	DESCRIPTION			
01	6.12.13	UHMW NOSING	DC-01048-00	20	42