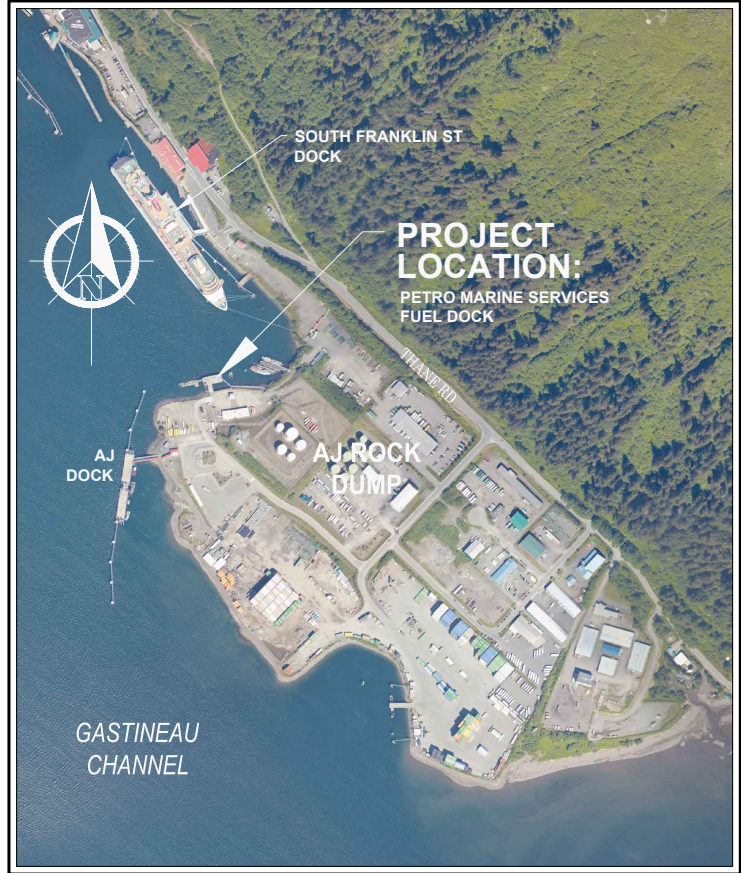
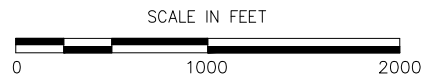


**SOUTHEAST ALASKA**



IMAGERY FROM:  
NOAA OFFICE FOR COASTAL MANAGEMENT  
DATA ACCESS VIEWER

**VICINITY MAP**



**PURPOSE:**

COMMERCIAL FUEL DOCK  
RECONSTRUCTION

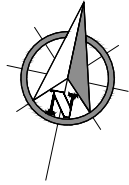
**VICINITY MAP**

**JUNEAU ROCK DUMP TERMINAL  
RECONSTRUCTION**

APPLICANT: PETRO MARINE SERVICES  
FILE NO.: POA-XXX-XXXXX  
WATERWAY: GASTINEAU CHANNEL  
PROPOSED ACTIVITY: COMMERCIAL FUEL DOCK RECONSTRUCTION  
SEC. 25 T. 41S R. 67E M COPPER RIVER MERIDIAN  
LAT.: 58.2904°N LONG.: -134.3955°W  
DATE: AUGUST 2025

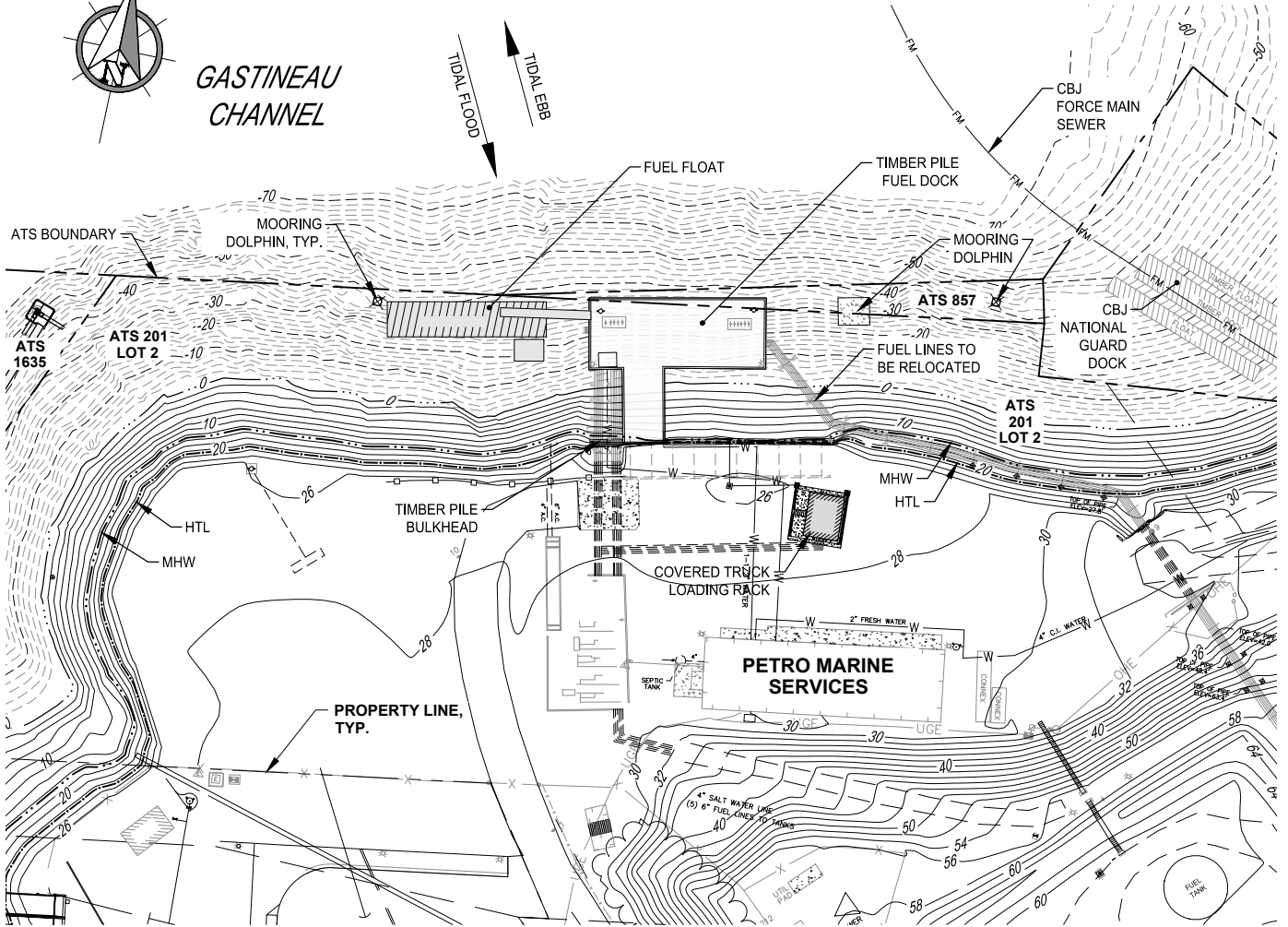
**DATUM:** HTL = 20.6'  
MLLW = 0.0' MHW = 15.3'

PND#: 232083.03



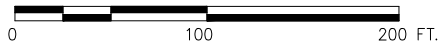
# GASTINEAU CHANNEL

TIDAL FLOOD  
TIDAL EBB



## EXISTING CONDITIONS

SCALE IN FEET



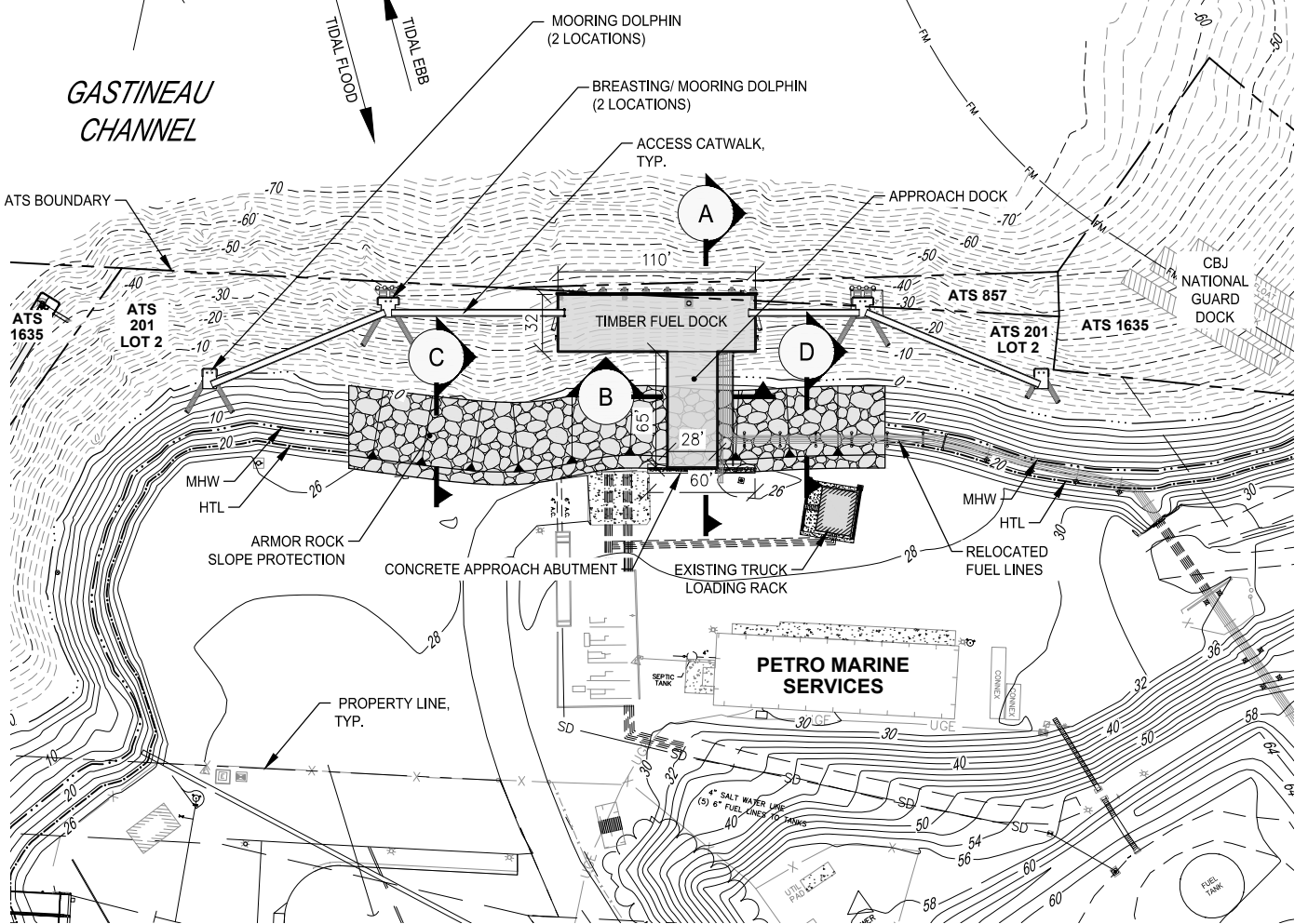
### JUNEAU ROCK DUMP TERMINAL RECONSTRUCTION

APPLICANT: PETRO MARINE SERVICES  
FILE NO.: POA-XXX-XXXX  
WATERWAY: GASTINEAU CHANNEL  
PROPOSED ACTIVITY: COMMERCIAL FUEL DOCK RECONSTRUCTION  
SEC. 25 T. 41S R. 67E M COPPER RIVER MERIDIAN  
LAT.: 58.2904°N LONG.: -134.3955°W  
DATE: AUGUST 2025

PND#: 232083.03



**GASTINEAU CHANNEL**



**SITE PLAN**



**JUNEAU ROCK DUMP TERMINAL RECONSTRUCTION**

APPLICANT: PETRO MARINE SERVICES  
 FILE NO.: POA-XXX-XXXX  
 WATERWAY: GASTINEAU CHANNEL  
 PROPOSED ACTIVITY: COMMERCIAL FUEL DOCK RECONSTRUCTION  
 SEC. 25 T. 41S R. 67E M COPPER RIVER MERIDIAN  
 LAT.: 58.2904°N LONG.: -134.3955°W  
 DATE: AUGUST 2025  
 PND#: 232083.03

### EARTHWORK SUMMARY

	PROJECT TOTAL	BELOW HTL (EL=20.6')	BELOW MHW (EL=15.3')	BELOW MLLW (EL=0')
FOOT PRINT (AC)	0.4	0.24	0.2	0.005
ROCK EMBANKMENT REMOVAL/ UPLANDS DISPOSAL (CY)	2,300	1,700	1,300	200
ARMOR ROCK (CY)	2,200	2,120	1,600	150

### STRUCTURE SUMMARY

ITEM	SURFACE AREA (SF)
APPROACH DOCK	28' x 65' (1,820)
MAIN DOCK	32' x 110' (3,534)
CONCRETE APPROACH ABUTMENT	5' x 60' (300)

### PILE REMOVAL SUMMARY

	CONSTRUCTION METHOD	PROJECT TOTAL	BELOW HTL (EL=20.6')	BELOW MHW (EL=15.3')	BELOW MLLW (EL=0')
RETAINING WALL (10"-16"Ø TIMBER PILES)	VIBRATORY REMOVAL	25	25	25	0
APPROACH DOCK (10"-16"Ø TIMBER PILES)	VIBRATORY REMOVAL	25	25	25	3
MAIN DOCK (10"-16"Ø TIMBER PILES)	VIBRATORY REMOVAL	110	110	110	110
FUEL FLOAT (10"-16"Ø TIMBER PILES)	VIBRATORY REMOVAL	14	14	14	14
BREASTING DOLPHIN (10"-16"Ø TIMBER PILES)	VIBRATORY REMOVAL	28	28	28	28
MOORING DOLPHIN (24"Ø STEEL PIPE PILES)	VIBRATORY REMOVAL	4	4	4	4
MOORING DOLPHIN (30"Ø STEEL PIPE PILES)	VIBRATORY REMOVAL	2	2	2	2
TEMPORARY PILES					
TEMPLATE CONSTRUCTION PILES (24"Ø STEEL PIPE PILES)	VIBRATORY	24	24	24	24

### PILE INSTALLATION SUMMARY

	CONSTRUCTION METHOD	PROJECT TOTAL	BELOW HTL (EL=20.6')	BELOW MHW (EL=15.3')	BELOW MLLW (EL=0')
MOORING DOLPHIN (30"Ø STEEL PIPE PILES)	VIBRATORY/ IMPACT	6	6	6	6
BREASTING DOLPHINS (30"Ø STEEL PIPE PILES)	VIBRATORY/ IMPACT	8	8	8	8
APPROACH DOCK (24"Ø STEEL PIPE PILES)	VIBRATORY/ IMPACT	7	7	7	7
MAIN DOCK (24"Ø STEEL PIPE PILES)	VIBRATORY/ IMPACT	16	16	16	16
ABUTMENT (24"Ø STEEL PIPE PILES)	VIBRATORY/ IMPACT	4	0	0	0
FENDER PILES (16"Ø STEEL PIPE PILES)	VIBRATORY/ IMPACT	12	12	12	12
FENDER PILES (24"Ø STEEL PIPE PILES)	VIBRATORY/ IMPACT	4	4	4	4
FUEL LINE SUPPORT (16"Ø STEEL PIPE PILES)	VIBRATORY/ IMPACT	12	12	12	0

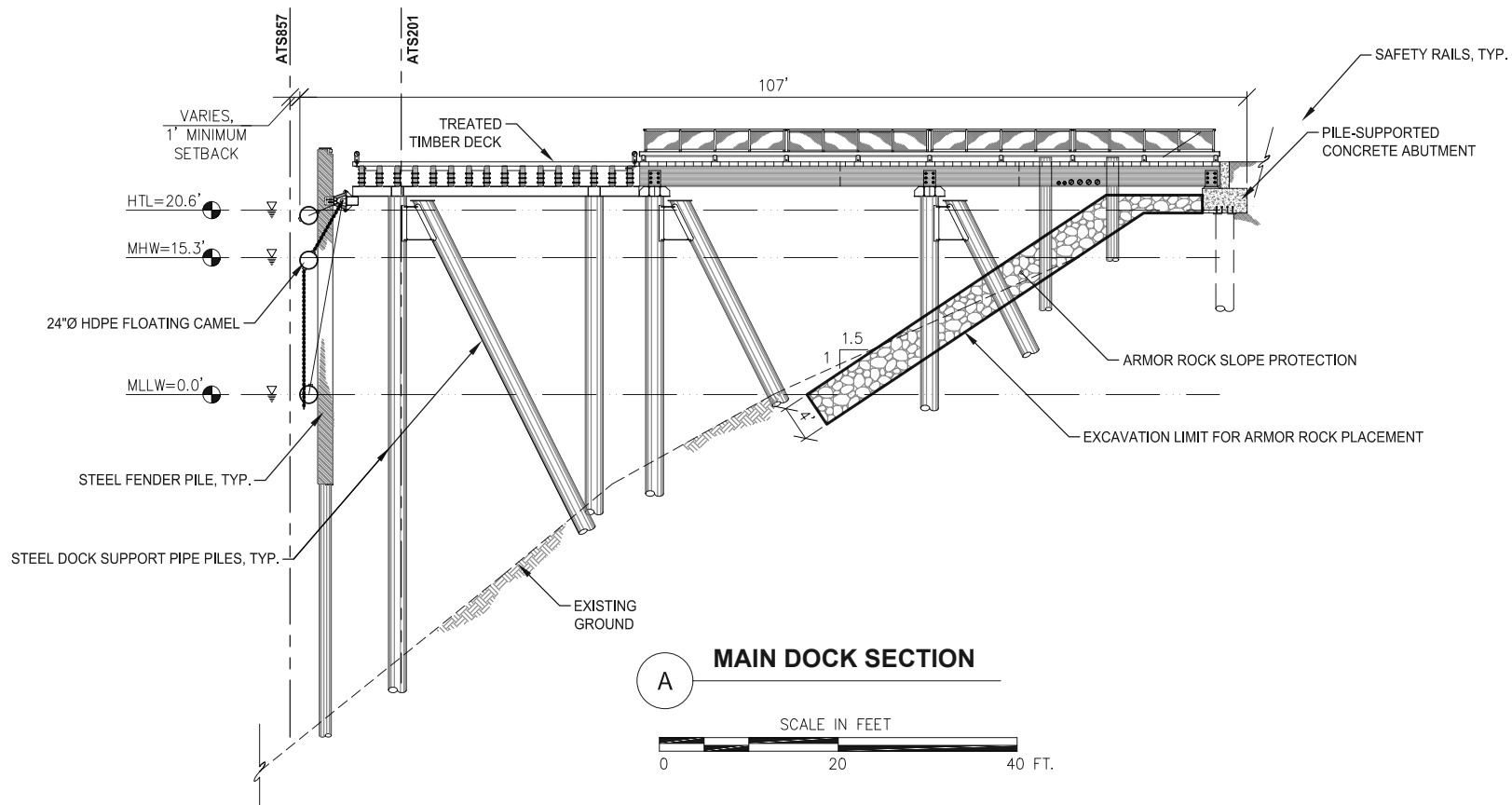
**NOTE:**

VIBRATORY/ IMPACT = VIBRATORY PILE DRIVER WILL BE USED AS THE PRIMARY INSTALLATION METHOD;  
IMPACT PILE DRIVER WILL BE USED TO PROOF THE PILES FOR ADEQUATE RESISTANCE AND SOIL PENETRATION.

## SUMMARY TABLES

### JUNEAU ROCK DUMP TERMINAL RECONSTRUCTION

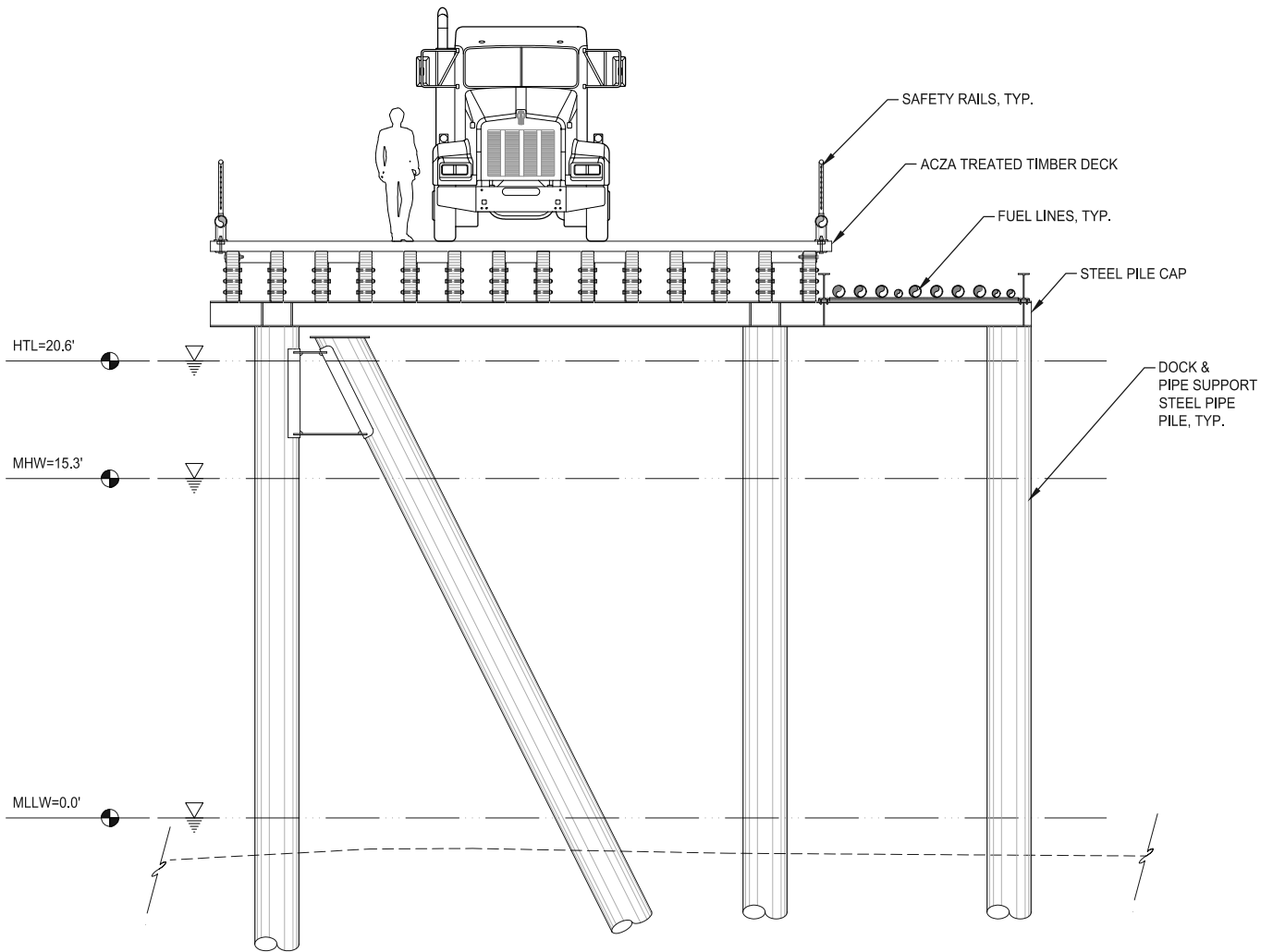
APPLICANT: PETRO MARINE SERVICES  
 FILE NO.: POA-XXX-XXXXX  
 WATERWAY: GASTINEAU CHANNEL  
 PROPOSED ACTIVITY: COMMERCIAL FUEL DOCK RECONSTRUCTION  
 SEC. 25 T. 41S R. 67E M COPPER RIVER MERIDIAN  
 LAT.: 58.2904°N LONG.: -134.3955°W  
 DATE: AUGUST 2025



## JUNEAU ROCK DUMP TERMINAL RECONSTRUCTION

APPLICANT: PETRO MARINE SERVICES  
 FILE NO.: POA-XXX-XXXXX  
 WATERWAY: GASTINEAU CHANNEL  
 PROPOSED ACTIVITY: COMMERCIAL FUEL DOCK RECONSTRUCTION  
 SEC. 25 T. 41S R. 67E M COPPER RIVER MERIDIAN  
 LAT.: 58.2904°N LONG.: -134.3955°W  
 DATE: AUGUST 2025

PND#: 232083.03



**APPROACH DOCK SECTION**

B

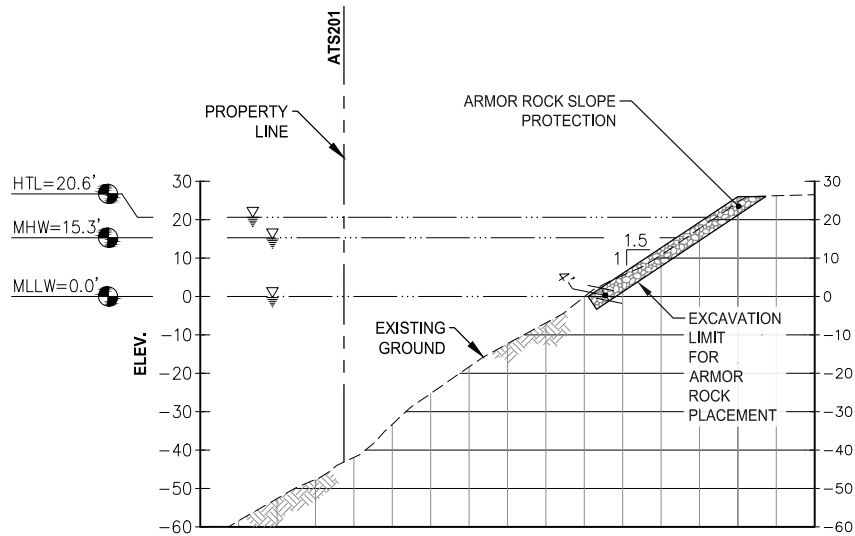
SCALE IN FEET



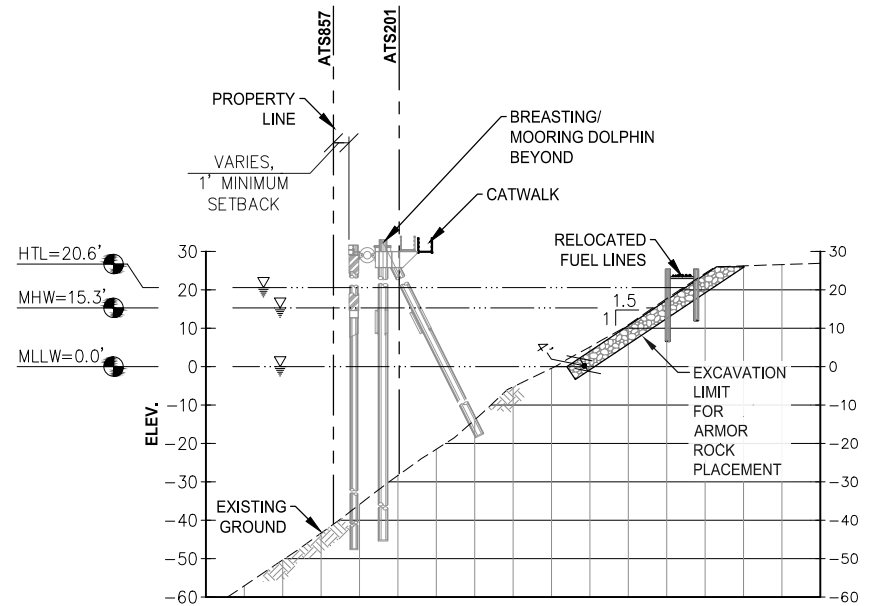
**JUNEAU ROCK DUMP TERMINAL RECONSTRUCTION**

APPLICANT: PETRO MARINE SERVICES  
 FILE NO.: POA-XXX-XXXXX  
 WATERWAY: GASTINEAU CHANNEL  
 PROPOSED ACTIVITY: COMMERCIAL FUEL DOCK RECONSTRUCTION  
 SEC. 25 T. 41S R. 67E M COPPER RIVER MERIDIAN  
 LAT.: 58.2904°N LONG.: -134.3955°W  
 DATE: AUGUST 2025

PND#: 232083.03



**C** **ARMOR ROCK SECTION**  
 SCALE IN FEET  
 0 50 100 FT.

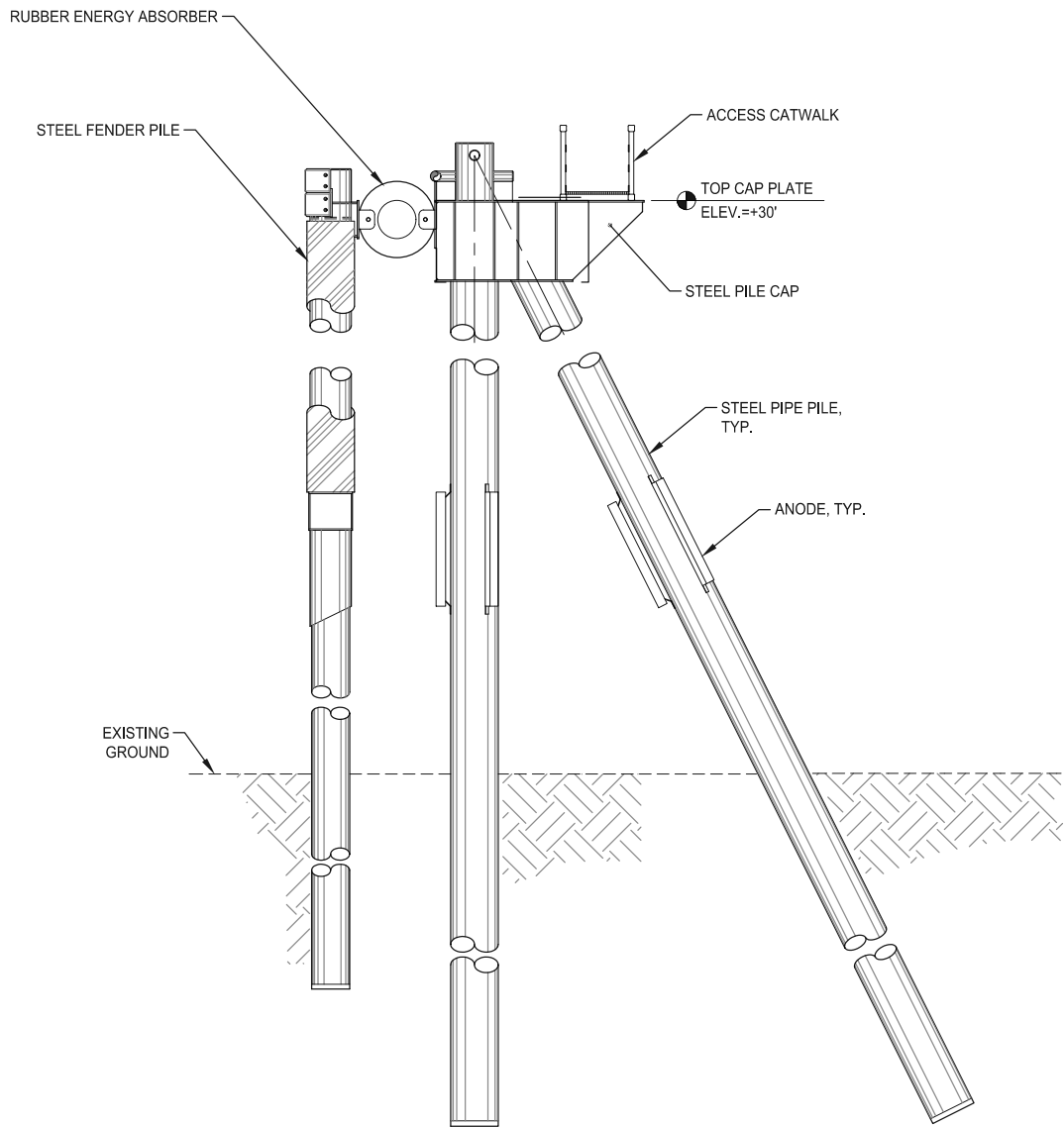


**D** **ARMOR ROCK SECTION**  
 SCALE IN FEET  
 0 50 100 FT.

**JUNEAU ROCK DUMP TERMINAL  
 RECONSTRUCTION**

APPLICANT: PETRO MARINE SERVICES  
 FILE NO.: POA-XXX-XXXXX  
 WATERWAY: GASTINEAU CHANNEL  
 PROPOSED ACTIVITY: COMMERCIAL FUEL DOCK RECONSTRUCTION  
 SEC. 25 T. 41S R. 67E M COPPER RIVER MERIDIAN  
 LAT.: 58.2904°N LONG.: -134.3955°W  
 DATE: AUGUST 2025

PND#: 232083.03



**BREASTING DOLPHIN SECTION**

NTS

**NOTE:**  
MOORING DOLPHIN SIMILAR BUT WITHOUT FENDER PILES

**JUNEAU ROCK DUMP TERMINAL  
RECONSTRUCTION**

APPLICANT: PETRO MARINE SERVICES  
 FILE NO.: POA-XXX-XXXXX  
 WATERWAY: GASTINEAU CHANNEL  
 PROPOSED ACTIVITY: COMMERCIAL FUEL DOCK RECONSTRUCTION  
 SEC. 25 T. 41S R. 67E M COPPER RIVER MERIDIAN  
 LAT.: 58.2904°N LONG.: -134.3955°W  
 DATE: AUGUST 2025

PND#: 232083.03