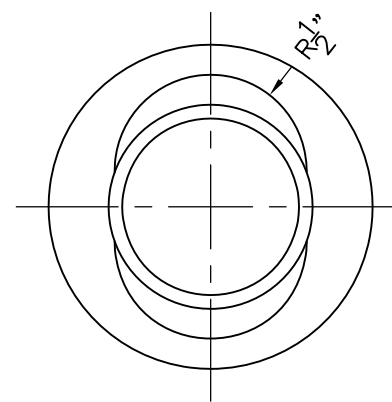
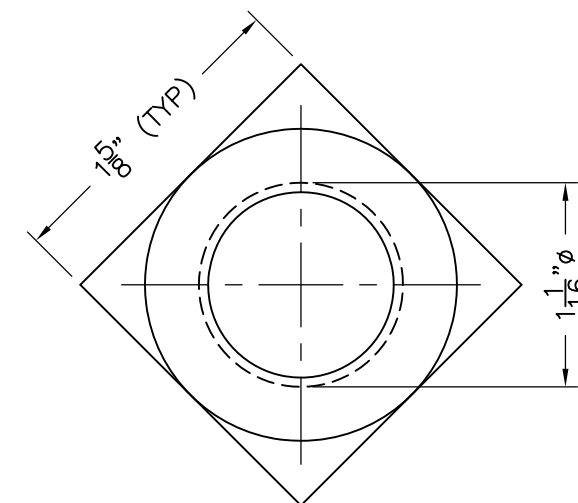


**OVAL NECK TRACK BOLT**  
FULL SIZE




**END VIEW**  
TRACK NUT REMOVED - FULL SIZE



**TRACK NUT**  
FULL SIZE

**NOTES**

1. MANUFACTURER SHALL BE IN ACCORDANCE WITH "CURRENT A.R.E.A. SPECIFICATIONS."
2. CARBON STEEL BOLTS AND MEDIUM CARBON NUTS WITH ROLLED THREAD AND FREE FIT SHALL BE FURNISHED.

 <b>ALASKA RAILROAD CORPORATION</b> OFFICE OF THE CHIEF ENGINEER P.O. BOX 107500, ANCHORAGE, ALASKA 99510-7500 (907) 265-2456		
STANDARD <b>1-1/16" x 6" TRACK BOLT</b> <b>FOR 115 LB. RE RAIL</b>		
APPROVED:	DATE:	
DESIGNED BY:	SCALE: AS NOTED	FILE: s6-1.dwg
DRAWN BY: BBF	APPROVED BY: ENG DEPT	DATE: 6/02
		<b>6.1</b>