

STATE OF ALASKA INVITATION TO BID (ITB)



ADF&G UMIAT SLEEPER UNIT PURCHASE

ITB 2026-1100-0122

ISSUED 10/8/2025

STATE OF ALASKA, DEPARTMENT OF FISH AND GAME (ADF&G) IS SEEKING BIDS FROM QUALIFIED VENDORS WHO CAN PROVIDE A SLEEPER UNIT FOR ADF&G STAFF IN UMIAT, ALASKA.

IMPORTANT NOTICE: If you received this solicitation from the State of Alaska’s “Online Public Notice” web site, you must register with the procurement officer listed below if you desire to receive notification of subsequent amendments to the solicitation.

BIDDER'S NOTICE: By signature on this form, the bidder certifies that they comply with the following:

- (1) the bidder has a valid Alaska business license or will obtain one prior to award of any contract resulting from this ITB. If the bidder possesses a valid Alaska business license, the license number must be written below or one the following forms of evidence must be submitted with the bid:
 - a canceled check for the business license fee;
 - a copy of the business license application with a receipt date stamp from the State's business license office;
 - a receipt from the State’s business license office for the license fee;
 - a copy of the bidder’s valid business license;
 - a sworn notarized affidavit that the bidder has applied and paid for a business license;
- (2) the price(s) submitted was arrived at independently and without collusion, under penalty of perjury, and that the bidder is complying with:
 - the laws of the State of Alaska;
 - the applicable portion of the Federal Civil Rights Act of 1964;
 - the Equal Employment Opportunity Act and the regulations issued thereunder by the state and federal government;
 - the Americans with Disabilities Act of 1990 and the regulations issued thereunder by the state and federal government;
 - the bid will remain open and valid for at least 90 days;
 - all terms and conditions set out in this Invitation to Bid (ITB).

If a bidder does not hold an Alaska Business License (1) at the time designated in the ITB for opening the state will disallow the Alaska Bidder Preference. Bids must also be submitted under the name as appearing on the bidder’s current Alaska business license in order to receive the Alaska Bidder Preference. If a bidder fails to comply with (2) of this paragraph, the state may reject the bid, terminate the contract, or consider the contractor in default.

DEPARTMENT OF FISH AND GAME DIVISION OF ADMINISTRATIVE SERVICES PROCUREMENT OFFICER: ERIC VERRELLI PHONE: (907) 465-6178 EMAIL: ERIC.VERRELLI@ALASKA.GOV	<hr/> COMPANY SUBMITTING BID <hr/> AUTHORIZED SIGNATURE <hr/> PRINTED NAME <hr/> DATE
--	--

TABLE OF CONTENTS

SECTION 1. INTRODUCTION & INSTRUCTIONS.....	4
SEC. 1.01 PURPOSE OF THE ITB.....	4
SEC. 1.02 BUDGET.....	4
SEC. 1.03 DEADLINE FOR RECEIPT OF BIDS.....	4
SEC. 1.04 PRIOR EXPERIENCE.....	4
SEC. 1.05 REQUIRED REVIEW.....	4
SEC. 1.06 QUESTIONS PRIOR TO DEADLINE FOR RECEIPT OF BIDS.....	4
SEC. 1.07 SITE INSPECTION.....	4
SEC. 1.08 RETURN INSTRUCTIONS.....	4
SEC. 1.09 ASSISTANCE TO BIDDERS WITH A DISABILITY.....	5
SEC. 1.10 AMENDMENTS TO BIDS.....	5
SEC. 1.11 AMENDMENTS TO THE ITB.....	5
SEC. 1.12 ITB SCHEDULE.....	6
SEC. 1.13 PRE-BID CONFERENCE/TELECONFERENCE.....	6
SEC. 1.14 ALTERNATE BIDS.....	6
SEC. 1.15 SUPPORTING INFORMATION.....	6
SEC. 1.16 FIRM, UNQUALIFIED, AND UNCONDITIONAL OFFER.....	6
SECTION 2. SCOPE OF WORK AND CONTRACT INFORMATION.....	7
SEC. 2.01 SCOPE OF WORK.....	7
SEC. 2.02 CONTRACT TERM.....	9
SEC. 2.03 CONTRACT TYPE.....	9
SEC. 2.04 PAYMENT FOR STATE PURCHASES.....	10
SEC. 2.05 ELECTRONIC PAYMENTS.....	10
SEC. 2.06 PROMPT PAYMENT FOR STATE PURCHASES.....	10
SEC. 2.07 CONTRACT ADMINISTRATION.....	10
SEC. 2.08 CONTRACT PRICE ADJUSTMENTS.....	10
SEC. 2.09 CONTRACT PERFORMANCE LOCATION.....	10
SEC. 2.10 THIRD-PARTY FINANCING AGREEMENTS NOT ALLOWED.....	11
SEC. 2.11 SUBCONTRACTORS.....	11
SEC. 2.12 JOINT VENTURES.....	11
SEC. 2.13 RIGHT TO INSPECT PLACE OF BUSINESS.....	11
SEC. 2.14 F.O.B. POINT.....	12
SEC. 2.15 INSPECTION & MODIFICATION - REIMBURSEMENT FOR UNACCEPTABLE DELIVERABLES.....	12
SEC. 2.16 EQUIPMENT INSPECTION.....	12
SEC. 2.17 NEW EQUIPMENT.....	12
SEC. 2.18 REMANUFACTURED/RECONDITIONED EQUIPMENT.....	12
SEC. 2.19 LEMON CLAUSE.....	13
SEC. 2.20 DISCONTINUED ITEMS.....	13
SEC. 2.21 LIQUIDATED DAMAGES.....	13
SEC. 2.22 SHIPPING DAMAGE.....	13
SEC. 2.23 CONTRACT CHANGES – UNANTICIPATED AMENDMENTS.....	13
SEC. 2.24 CONTINUING OBLIGATION OF CONTRACTOR.....	13
SEC. 2.25 BILLING INSTRUCTIONS.....	14
SEC. 2.26 ESTIMATED QUANTITIES.....	14
SEC. 2.27 WARRANTY.....	14
SEC. 2.28 NONDISCLOSURE AND CONFIDENTIALITY.....	14
SEC. 2.29 INDEMNIFICATION.....	15
SEC. 2.30 INSURANCE.....	15
SECTION 3. BID FORMAT AND CONTENT.....	17
SEC. 3.01 BID FORMS.....	17
SEC. 3.02 BID BOND – PERFORMANCE BOND – SURETY DEPOSIT.....	17
SEC. 3.03 PRICES.....	18
SECTION 4. EVALUATION AND CONTRACTOR SELECTION.....	19
SEC. 4.01 EVALUATION OF BIDS.....	19
SEC. 4.02 APPLICATION OF PREFERENCES.....	19
SEC. 4.03 ALASKA BIDDER PREFERENCE.....	19
SEC. 4.04 ALASKA VETERAN PREFERENCE.....	20
SEC. 4.05 ALASKA MILITARY SKILLS PROGRAM PREFERENCE.....	20

SEC. 4.06	USE OF LOCAL FOREST PRODUCTS	21
SEC. 4.07	LOCAL AGRICULTURAL AND FISHERIES PRODUCT PREFERENCE	21
SEC. 4.08	ALASKA PRODUCT PREFERENCE	21
SEC. 4.09	EMPLOYMENT PROGRAM PREFERENCE	22
SEC. 4.10	ALASKANS WITH DISABILITIES PREFERENCE	22
SEC. 4.11	PREFERENCE QUALIFICATION LETTER	23
SEC. 4.12	EXTENSION OF PRICES	23
SEC. 4.13	METHOD OF AWARD	23
SEC. 4.14	CONTRACTOR SELECTION PROCESS	23
SEC. 4.15	NOTICE OF INTENT TO AWARD	23
SECTION 5.	GENERAL PROCESS AND LEGAL INFORMATION.....	24
SEC. 5.01	INFORMAL DEBRIEFING	24
SEC. 5.02	ALASKA BUSINESS LICENSE AND OTHER REQUIRED LICENSES	24
SEC. 5.03	AUTHORITY	24
SEC. 5.04	COMPLIANCE	25
SEC. 5.05	SUITABLE MATERIALS, ETC.	25
SEC. 5.06	SPECIFICATIONS	25
SEC. 5.07	BRAND SPECIFIC	25
SEC. 5.08	ITEM UPGRADES	25
SEC. 5.09	WORKMANSHIP AND MATERIALS.....	25
SEC. 5.10	CONTRACTOR SITE INSPECTION	25
SEC. 5.11	ORDER DOCUMENTS	25
SEC. 5.12	HUMAN TRAFFICKING	26
SEC. 5.13	RIGHT OF REJECTION	26
SEC. 5.14	STATE NOT RESPONSIBLE FOR PREPARATION COSTS.....	26
SEC. 5.15	DISCLOSURE OF BID CONTENTS	27
SEC. 5.16	ASSIGNMENTS.....	27
SEC. 5.17	FORCE MAJEURE (IMPOSSIBILITY TO PERFORM)	27
SEC. 5.18	DEFAULT	27
SEC. 5.19	DISPUTES	28
SEC. 5.20	SEVERABILITY	28
SEC. 5.21	CONTRACT CANCELLATION	28
SEC. 5.22	GOVERNING LAW; FORUM SELECTION	28
SEC. 5.23	QUALIFIED BIDDERS	28
SEC. 5.24	FEDERALLY IMPOSED TARIFFS	28
SEC. 5.25	PROTEST	29
SECTION 6.	ATTACHMENTS.....	31
SEC. 6.01	ATTACHMENTS	31

SECTION 1. INTRODUCTION & INSTRUCTIONS

SEC. 1.01 PURPOSE OF THE ITB

State of Alaska, Department of Fish and Game (ADF&G) is seeking bids from qualified vendors to provide a sleeper unit for ADF&G staff that will be shipped and installed in Umiat, AK.

SEC. 1.02 BUDGET

Payment for the contract is subject to funds already appropriated and identified.

SEC. 1.03 DEADLINE FOR RECEIPT OF BIDS

Bids must be received no later than 2:00 pm Alaska Time on October 29, 2025, at which time they will be publicly opened. Late bids or amendments will be considered non-responsive and will not be opened or accepted for evaluation.

SEC. 1.04 PRIOR EXPERIENCE

No specific minimums have been set for this ITB.

SEC. 1.05 REQUIRED REVIEW

Bidders shall carefully review this ITB for defects and questionable or objectionable material. Comments concerning defects and questionable or objectionable material in the ITB should be made in writing and received by the procurement officer at least ten days before the deadline for receipt of bids. This will allow time for an amendment to be issued if one is required. It will also help prevent the opening of a defective bid, upon which award cannot be made, and the resultant exposure of bidders' prices.

SEC. 1.06 QUESTIONS PRIOR TO DEADLINE FOR RECEIPT OF BIDS

All questions must be in writing and directed to the procurement officer. The interested party must confirm telephone conversations in writing. Two types of questions generally arise. One may be answered by directing the questioner to a specific section of the ITB. These questions may be answered over the telephone. Other questions may be more complex and may require a written amendment to the ITB. The procurement officer will make that decision.

SEC. 1.07 SITE INSPECTION

Reserved.

SEC. 1.08 RETURN INSTRUCTIONS

Email submission of your bid to dfg.contracting@alaska.gov is the preferred method of submission.

Proposers may submit a hard copy of their proposal, in writing, to the procurement officer in a sealed package. The sealed bid package must be addressed as follows:

**DEPARTMENT OF FISH & GAME
DIVISION OF ADMINISTRATIVE SERVICES**

Attention: **ERIC VERRELLI**
Invitation to Bid (ITB) Number: 2026-1100-0118
ITB Title: **KODIAK OFFICE JANITORIAL SERVICES**
PO BOX 115526
JUNEAU, AK 99811-5526

If using a delivery service, please use the following address:

1255 W 8TH ST
F&G HQ
JUNEAU, AK 99801

If submitting your proposal via email, the entire proposal may be emailed to dfg.contracting@alaska.gov and must contain the RFP number in the subject line of the email. The **maximum** size of a single email (including all text and attachments) that can be received by the state is **20mb (megabytes)**. If the email containing the bid exceeds this size, the bid must be sent in multiple emails that are each less than 20 megabytes and each email must comply with the requirements described above.

Please note that email transmission is not instantaneous. Like sending a hard copy bid, if you are emailing your bid, the state recommends sending it enough ahead of time to ensure the email is delivered by the deadline for receipt of bids.

It is the bidder's responsibility to contact the issuing agency at **907-465-6178** to confirm that the entire bid has been received. The state is not responsible for unreadable, corrupt, or missing attachments.

SEC. 1.09 ASSISTANCE TO BIDDERS WITH A DISABILITY

The State of Alaska complies with Title II of the Americans with Disabilities Act of 1990. Individuals with disabilities who may need auxiliary aids, services, and/or special modifications to submit a bid should contact the Procurement Officer no later than ten days prior to the closing of the bid to make any necessary arrangements.

SEC. 1.10 AMENDMENTS TO BIDS

Amendments to or withdrawals of bids will only be allowed if acceptable requests are received prior to the deadline that is set for receipt of bids, in accordance with 2 AAC 12.140. No amendments or withdrawals will be accepted after the deadline unless the delay is due to an error of the contracting agency, in accordance with 2 AAC 12.160.

SEC. 1.11 AMENDMENTS TO THE ITB

If an amendment is issued before the deadline for receipt of bids, the amendment will be posted on the State of Alaska Online Public Notice (OPN) website. The link to the posting of the amendment will be provided to all who were notified of the ITB and to those who have registered with the procurement officer after receiving the ITB from the OPN.

SEC. 1.12 ITB SCHEDULE

The ITB schedule below represents the State of Alaska’s best estimate of the schedule that will be followed. If a component of this schedule, such as the deadline for receipt of bids, is delayed, the rest of the schedule may be shifted accordingly. All times are Alaska Standard Time (AST).

ACTIVITY	TIME	DATE
Issue Date / ITB Released		10/8/2025
Deadline for Receipt of Bids / Bid Due Date	2:00 pm AKST	10/29/2025
Bid Evaluations Complete		10/29/2025
Notice of Intent to Award		10/30/2025
Contract Issued		11/10/2025

This ITB does not, by itself, obligate the state. The state's obligation will commence when the contract is approved by the Commissioner of the Department of Fish and Game, or the Commissioner's designee. Upon written notice to the contractor, the state may set a different starting date for the contract. The state will not be responsible for any work done by the contractor, even work done in good faith, if it occurs prior to the contract start date set by the state.

SEC. 1.13 PRE-BID CONFERENCE/TELECONFERENCE

NO PRE-BID CONFERENCE WILL BE HELD.

SEC. 1.14 ALTERNATE BIDS

Bidders may only submit one bid for evaluation. In accordance with 2 AAC 12.830 alternate bids (bids that offer something different than what is asked for) will be rejected.

SEC. 1.15 SUPPORTING INFORMATION

Provided a bid meets the requirements for a definite, firm, unqualified, and unconditional offer, the state reserves the right to request supplemental information from the bidder, after the bids have been opened, to ensure that the products or services offered completely meet the ITB requirements. The requirement for such supplemental information will be at the reasonable discretion of the state and may include the requirement that a bidder will provide a sample product(s) so that the state can make a first-hand examination and determination.

A bidder's failure to provide this supplemental information or the product sample(s), within the time set by the state, may cause the state to consider the offer non-responsive and reject the bid.

SEC. 1.16 FIRM, UNQUALIFIED, AND UNCONDITIONAL OFFER

To be responsive a bid must constitute a definite, firm, unqualified and unconditional offer to meet all the material terms of the ITB. Material terms are those that could affect the price, quantity, quality, or delivery. Also included as material terms are those which are clearly identified in the ITB, and which must be complied with at risk of bid rejection for non-responsiveness.

SECTION 2. SCOPE OF WORK AND CONTRACT INFORMATION

SEC. 2.01 SCOPE OF WORK

Background:

On June 16th and 17th 2025 the ADFG field camp at Umiat was inundated with water in an unprecedented Colville River flooding event. The water reached 19 inches above the floors inside our buildings. We recently returned to do some reconnaissance and clean-up work and found that the Quonset walls are moldy. This building contains 4 bedrooms and has long been used as our sleeping quarters. We believe that the overall condition of the hut, and the mold has made the building unsuitable for sleeping and are asking to have a prefabricated building containing 4 separate bedrooms be moved to the DOT lot that ADFG leases in Umiat (a DOT permit for adding a building has been submitted).

Objective:

The objective of this contract is to purchase a prefabricated structure with 4 bedrooms to be transported and installed in Umiat. The buildings would include everything necessary for use when transported to Umiat (fully built, finished, and furnished), refer to Requirements.

Requirements (Specifications):

1. One unit approximately 40' (long) X 8' (wide) X (at least) 9' (height) housing unit with 4 bedrooms.
2. Transportation and placement of housing unit at Umiat field camp during the winter of 2025/2026. The building will need to be transported from Fairbanks to Umiat before the rivers thaw which is unpredictable but will be sometime in early spring. Therefore, we ask that the unit is completed by February 28, 2026 and can be stored on site until the transport team is ready to move it.
3. Leveling of units and final installation, including stairs and any other outside components at Umiat units during the dry and snow free period in 2026 and before our field work (requiring a return to the site by either building manufacturers, or moving team in May or early June 2026).
4. Unit must be able to withstand severe environmental conditions including temperatures down to -50F, winds up to 50 mph, 24-hour summer sun, rain, and snow.
5. Outside is painted metal or other arctic durable material able to withstand harsh conditions (-50 temperature, snow, 24-hour summer sun, and high winds).
6. Weatherproof and capable of withstanding extreme arctic temperature ranges (-50 to 80 degrees), and high winds (up to 50 mph).
7. Provide and install appropriate material (e.g. treated wood) under framework when installed on site.
8. Finalized placement of building, the floor must be at least two (2) feet off the ground.
9. Building must be sturdy enough to be towed across the tundra, either via permanently attached skids or to be towed on a sled that the transport company (to be determined) supplies.

10. This bid includes the cost of manufacturing the unit and the cost to have it transported to Fairbanks Alaska.

Inside Construction:

11. Insulation: 2" spray foam on floor, walls and ceiling (at a minimum R21).

12. Soundproofing insulation between rooms to reduce noise. Sound transmission class (STC) of >.60 and a noise reduction coefficient (NRC) of >.70 or appropriate values to ensure that loud talking, music, and snoring is not heard between rooms.

13. Walls: Finished fire-resistant material that is painted with an intumescent (fire resistant) paint of a light color.

14. Ceiling: Finished fire-resistant material that is painted with an intumescent (fire resistant) paint of a light color.

15. Flooring: 1-1/8" high quality marine grade wood flooring finished with durable non-carpet coating that can withstand severe cold (-50 temperatures). At least a 2- part coating process for epoxy coating with a light-colored pigment.

16. Bedrooms shall be approximately 8' x 7' in size.

17. Built in or secured to units - extra-long 39" wide single bunk beds (removable, but secured to structure, top bunk) with drawers under lower bunk in each room.

18. Built in or secured to units open shelving unit large enough to hold large gear like backpacks or totes.

19. Built in or secured to units - 36" x 18" x 72" storage cabinet with 3 shelves (approximate dimensions) in each unit.

Doors and Windows:

20. Exterior Door (for each room): 36" x 80" steel frame insulated metal door (industrial grade) with interior chain guards, heavy-duty hinges, and punch code entry (punch code must be reprogrammable, otherwise install a heavy-duty latch to which a combo lock can be affixed). Door is primed and painted with high-quality outdoor paint (light or muted color) that can withstand severe arctic conditions (severe cold down to -50, snow, wind, rain, 24-hour summer sun).

21. Stair steps to reach the ground from each exterior door with side railings on both sides of stairs. Stairs need to be securely attached to structures after transport to the sites. Stairs need to be constructed from metal or treated lumber. Stairs must be stained or painted (and primed) with a highly durable product to protect from extreme cold (-50), snow, rain, summer sun, and heavy winds.

22. Windows (one (1) window in each room): Fiberglass frame windows. Approximately 36" x 36" egress triple pane single slider (horizontal slider) windows with screens and black out shades or blinds. With spray foam around frame. Must meet NFPA Life Safety Code Standards for egress.

23. Metal or wood shutters that can be closed and locked on the outside of each window for winterizing and protecting windows/units when not in use. Shutters must be able to withstand harsh conditions (-50 temperatures, high winds (up to 50 mph), rain, snow and sun). Shutters are primed and painted with high quality durable outdoor paint (light or muted color) that can withstand arctic conditions (severe cold down to -50, snow, heavy winds, rain, 24-hour summer sun).

Approved Electrical and heating Systems:

24. Each room shall be wired for lights and outlets to be used with a small gas generator. 50 amp plug on outside of building to be used with a 2000 watt or larger gas generator.

25. XHHW wiring in surface mounted conduit.

26. Electrical Service: 100A split (single) phase Square D exterior disconnect and interior load center or similar.

27. Heat: each bedroom (or overall unit) shall be equipped with non-electric and non-propane heat source (e.g. Nordic Stove oil drip heater or similar). If heating source is not within each bedroom a non-electric method to circulate heat into each unit will be installed (fans with rechargeable batteries are acceptable but will require covers to block noise travelling between rooms when not in use during summer months).

28. If oil drip heaters are used, an oil tank on a stand and appropriate piping shall be included.

29. Building must be functional even if not accessed for 9-10 months.

Additional requests:

We would like to add some cargo that we would like transported to camp to the inside of the building prior to moving it to Umiat, items some furniture, an empty plastic barrel, some fiberglass insulation, maybe a refrigerator. This can be negotiated with the builder once the bid is complete.

Completion Date:

Unit must be ready for transport by the end of February 2026 (delivery date will be contingent on late winter, spring conditions and must occur while the rivers are still frozen, identifying a transport date will require communication with transporter team).

SEC. 2.02 CONTRACT TERM

The length of the contract will be from the date of award, approximately November 2025, through February 28, 2026, with the option to renew for additional month(s) if needed, under the same terms and conditions as the original contract. Renewals will be exercised at the sole discretion of the state.

Unless otherwise provided in this ITB, the State and the successful bidder/contractor agree: (1) that any extension of the contract excluding any exercised renewal options, will be considered as a month-to-month extension, and all other terms and conditions shall remain in full force and effect and (2) the procurement officer will provide notice to the contractor of the intent to cancel such month-to-month extension at least 30 days before the desired date of cancellation. A month-to-month extension may only be executed by the procurement officer via a written contract amendment.

SEC. 2.03 CONTRACT TYPE

This contract is a **FIXED PRICE** contract. Vendor will be held to price they submitted on their bid.

SEC. 2.04 PAYMENT FOR STATE PURCHASES

No payment will be made until the contract is approved by the Commissioner of the Department of Fish and Game or the Commissioner's designee. Under no conditions will the state be liable for the payment of any interest charges associated with the cost of the contract. The state is not responsible for and will not pay local, state, or federal taxes. All costs associated with the contract must be stated in U.S. currency.

Payment for agreements under \$500,000 for the undisputed purchase of goods or services provided to a state agency, will be made within 30 days of the receipt of a proper billing or the delivery of the goods or services to the location(s) specified in the agreement, whichever is later. A late payment is subject to 1.5% interest per month on the unpaid balance. Interest will not be paid if there is a dispute or if there is an agreement that establishes a lower interest rate or precludes the charging of interest.

SEC. 2.05 ELECTRONIC PAYMENTS

The State of Alaska prefers vendors receive payment via Electronic Funds Transfer (EFT). Bidders may review information concerning the EFT process and access the [Electronic Payment Agreement Form for Vendors](https://doa.alaska.gov/dof/vendor.html) at the following link: <https://doa.alaska.gov/dof/vendor.html>. Method of payment is not a factor in the State's determination for award.

Any single contract payments of \$1 million or higher must be accepted by the contractor via Electronic Funds Transfer (EFT).

SEC. 2.06 PROMPT PAYMENT FOR STATE PURCHASES

Reserved.

SEC. 2.07 CONTRACT ADMINISTRATION

The administration of this contract is the responsibility of the procurement officer or person appointed by the Department of Fish and Game, Division of Administrative Services.

SEC. 2.08 CONTRACT PRICE ADJUSTMENTS

A contract resulting from this ITB will have a fixed price through the life of the contract.

SEC. 2.09 CONTRACT PERFORMANCE LOCATION

The location(s) the work is to be performed, completed, and managed is the vendors place of business.

By signature on their bid, the bidder certifies that all services provided under this contract by the contractor and all subcontractors shall be performed in the United States.

If the bidder cannot certify that all work will be performed in the United States, the bidder must contact the procurement officer in writing to request a waiver at least 10 days prior to the deadline for receipt of bids.

The request must include a detailed description of the portion of work that will be performed outside the United States, where, by whom, and the reason the waiver is necessary.

Failure to comply with these requirements may cause the state to reject the bid as non-responsive or cancel the contract.

SEC. 2.10 THIRD-PARTY FINANCING AGREEMENTS NOT ALLOWED

Because of the additional administrative and accounting time required of the state when third party financing agreements are permitted, they will not be allowed under this contract.

SEC. 2.11 SUBCONTRACTORS

Subcontractors may be used to perform work under this contract. If a bidder intends to use subcontractors, the bidder must identify in the bids the names of the subcontractors and the portions of the work the subcontractors will perform.

Subcontractor experience **SHALL NOT** be considered in determining whether the bidder meets the requirements set forth in **SEC. 2.01 PRIOR EXPERIENCE**.

If a bid with subcontractors is selected, the bidder must provide the following information concerning each prospective subcontractor within five working days from the date of the state's request:

- complete name of the subcontractor;
- complete address of the subcontractor;
- type of work the subcontractor will be performing;
- percentage of work the subcontractor will be providing;
- evidence that the subcontractor holds a valid Alaska business license; and
- a written statement signed by each proposed subcontractor that clearly verifies that the subcontractor is committed to render the services required by the contract.

A bidder's failure to provide this information, within the time set, may cause the state to consider their bid non-responsive and reject it.

Note that if the subcontractor will not be performing work within Alaska, they will not be required to hold an Alaska business license.

SEC. 2.12 JOINT VENTURES

Joint ventures will not be allowed.

SEC. 2.13 RIGHT TO INSPECT PLACE OF BUSINESS

At reasonable times, the state may inspect those areas of the contractor's place of business that are related to the performance of a contract. If the state makes such an inspection, the contractor must provide reasonable assistance.

SEC. 2.14 F.O.B. POINT

The F.O.B. point for all items purchased under this contract is the final destination anywhere within the State of Alaska. Ownership of and title to the ordered items remains with the contractor until the items have been delivered to their final destination and are accepted by the state.

The cost of shipping and delivery within Alaska is to be included in the bid price. There will be no additional charge for shipping and delivery within Alaska. Place of delivery will be Fairbanks, AK.

SEC. 2.15 INSPECTION & MODIFICATION - REIMBURSEMENT FOR UNACCEPTABLE DELIVERABLES

The contractor is responsible for providing all products or the completion of all work set out in the contract. All products or work is subject to inspection, evaluation, and approval by the state. The state may employ all reasonable means to ensure that the work is progressing and being performed in compliance with the contract. The state may instruct the contractor to make corrections or modifications if needed in order to accomplish the contract's intent. The contractor will not unreasonably withhold such changes.

Substantial failure of the contractor to perform the contract may cause the state to terminate the contract. In this event, the state may require the contractor to reimburse monies paid (based on the identified portion of unacceptable products or work received) and may seek associated damages.

SEC. 2.16 EQUIPMENT INSPECTION

Equipment offered (including for lease) may be subject to inspection and approval by the state prior to the award of the ITB. The equipment and attachments must be in good repair and capable of performing the work for which they were designed.

SEC. 2.17 NEW EQUIPMENT

Equipment offered in response to this ITB must be new equipment. New equipment means equipment that is currently in production by the manufacturer and is still the latest model, edition or version generally offered. The equipment must be warranted as new by the manufacturer and may not have been used for any purpose, other than display (not demonstration), prior to its sale to the state. The state will not accept remanufactured, used, or reconditioned equipment. It is the contractor's responsibility to ensure that each piece of equipment delivered to the state complies with this requirement. A contractor's failure to comply with this requirement will cause the state to seek remedies under breach of contract.

SEC. 2.18 REMANUFACTURED/RECONDITIONED EQUIPMENT

Remanufactured/reconditioned is acceptable provided it meets the requirements of this clause and the requirements of the rest of this ITB. Remanufactured/reconditioned equipment is defined as used equipment that has been remanufactured/reconditioned and restored to new condition. All remanufactured/reconditioned equipment must have the same warranty as new equipment and be certified as maintainable by its manufacturer. Bidders should attach a copy of this certification to their bid. A bidder's failure to provide the document(s) mentioned above, within the time required by the state, will cause the state to consider the bid non-responsive and reject the bid.

SEC. 2.19 LEMON CLAUSE

This clause applies to all equipment purchased through this contract. The application period is **3-year** from the date of purchase. This clause takes precedence over any other warranty or service maintenance clauses associated with this contract.

Any equipment that fails (except due to operator error) to operate according to the manufacturer's published performance specifications and/or is subject to recurring related problems must be replaced with the same make and model of new equipment at no cost to the state.

SEC. 2.20 DISCONTINUED ITEMS

In the event an item is discontinued by the manufacturer during the life of the contract, another item may be substituted, provided that the procurement officer makes a written determination that it is equal to or better than the discontinued item and provided that it is sold at the same price or less than the discontinued item.

SEC. 2.21 LIQUIDATED DAMAGES

Reserved.

SEC. 2.22 SHIPPING DAMAGE

The state will not accept or pay for damaged goods. The contractor must file all claims against the carrier(s) for damages incurred to items in transit from the point of origin to the ultimate destination. The state will provide the contractor with written notice when damaged goods are received. The state will deduct the cost of the damaged goods from the invoice prior to payment. The contractor must file all claims against the carrier(s) for reimbursement of the loss.

SEC. 2.23 CONTRACT CHANGES – UNANTICIPATED AMENDMENTS

During the course of this contract, the contractor may be required to perform additional work. That work will be within the general scope of the initial contract. When additional work is required, the state will provide the contractor a written description of the additional work and request the contractor to submit a firm time schedule for accomplishing the additional work and a firm price for the additional work. Cost and pricing data must be provided to justify the cost of such amendments per AS 36.30.400.

The contractor will not commence additional work until the procurement officer has secured required state approvals necessary and issued a written contract amendment.

SEC. 2.24 CONTINUING OBLIGATION OF CONTRACTOR

Notwithstanding the expiration date of a contract resulting from this ITB, the contractor is obligated to fulfill its responsibilities until warranty, guarantee, maintenance, and parts availability requirements have completely expired.

SEC. 2.25 BILLING INSTRUCTIONS

All invoices produced by the contractor must contain the following information at a minimum:

1. **Item Description**
2. **Cost**
3. **Delivery Date**
4. **Location Delivered**

Invoices must be billed to the ordering agency's address shown on the individual Purchase Order, Contract Award or Delivery Order. The state will make payment after it receives the goods or services and the invoice. Questions concerning payment must be addressed to the ordering agency.

SEC. 2.26 ESTIMATED QUANTITIES

The quantities referenced in this ITB are estimated requirements and may vary more or less from the quantities actually purchased. The State does not guarantee any minimum or maximum purchase. Orders will be issued throughout the contract period on an as-needed basis.

SEC. 2.27 WARRANTY

The contractor warrants every unit purchased against faulty materials and workmanship for a minimum period of at least 1-year. If, during this period, faults develop with the unit or components of the unit, they will be repaired or replaced without any cost, including any transportation or freight cost, to the state. Bids, which include supplemental warranties, will be accepted, but supplemental warranties that conflict with or diminish the state's rights under this warranty clause will be considered null and void. The state is not responsible for identifying conflicting warranty conditions before issuing a contract award. After award of the contract:

1. if a conflict arises between the supplemental warranty and the warranty in this ITB, the warranty in the ITB will prevail; and
2. if the state's rights are diminished as a result of application of the supplemental warranty, the supplemental warranty will be considered null and void and the ITB warranty will prevail.

By signature on the face page of this ITB the bidder acknowledges this requirement and indicates unconditional acceptance of this warranty clause.

SEC. 2.28 NONDISCLOSURE AND CONFIDENTIALITY

Contractor agrees that all confidential information shall be used only for purposes of providing the deliverables and performing the services specified herein and shall not disseminate or allow dissemination of confidential information except as provided for in this section. The contractor shall hold as confidential and will use reasonable care (including both facility physical security and electronic security) to prevent unauthorized access by, storage, disclosure, publication, dissemination to and/or use by third parties of, the confidential information. "Reasonable care" means compliance by the contractor with all applicable federal and state law, including the Social Security Act and HIPAA. The contractor must promptly notify the state in writing if it becomes aware of any storage, disclosure, loss, unauthorized access to or use of the confidential information.

Confidential information, as used herein, means any data, files, software, information or materials (whether prepared by the state or its agents or advisors) in oral, electronic, tangible or intangible form and however stored, compiled or memorialized that is classified confidential as defined by State of Alaska classification and categorization guidelines provided by the state to the contractor or a contractor agent or otherwise made available to the contractor or a contractor agent in connection with this contract, or acquired, obtained or learned by the contractor or a contractor agent in the performance of this contract. Examples of confidential information include, but are not limited to technology infrastructure, architecture, financial data, trade secrets, equipment specifications, user lists, passwords, research data, and technology data (infrastructure, architecture, operating systems, security tools, IP addresses, etc.).

If confidential information is requested to be disclosed by the contractor pursuant to a request received by a third party and such disclosure of the confidential information is required under applicable state or federal law, regulation, governmental or regulatory authority, the contractor may disclose the confidential information after providing the state with written notice of the requested disclosure (to the extent such notice to the state is permitted by applicable law) and giving the state opportunity to review the request. If the contractor receives no objection from the state, it may release the confidential information within 30 days. Notice of the requested disclosure of confidential information by the contractor must be provided to the state within a reasonable time after the contractor's receipt of notice of the requested disclosure and, upon request of the state, shall seek to obtain legal protection from the release of the confidential information.

The following information shall not be considered confidential information: information previously known to be public information when received from the other party; information freely available to the general public; information which now is or hereafter becomes publicly known by other than a breach of confidentiality hereof; or information which is disclosed by a party pursuant to subpoena or other legal process and which as a result becomes lawfully obtainable by the general public.

SEC. 2.29 INDEMNIFICATION

The contractor shall indemnify, hold harmless, and defend the contracting agency from and against any claim of, or liability for error, omission or negligent act of the contractor under this agreement. The contractor shall not be required to indemnify the contracting agency for a claim of, or liability for, the independent negligence of the contracting agency. If there is a claim of, or liability for, the joint negligent error or omission of the contractor and the independent negligence of the contracting agency, the indemnification and hold harmless obligation shall be apportioned on a comparative fault basis.

“Contractor” and “contracting agency”, as used within this and the following article, include the employees, agents and other contractors who are directly responsible, respectively, to each. The term “independent negligence” is negligence other than in the contracting agency's selection, administration, monitoring, or controlling of the contractor and in approving or accepting the contractor's work.

SEC. 2.30 INSURANCE

Without limiting the contractor's indemnification, it is agreed that the contractor shall purchase at its own expense and maintain in force at all times during the performance of services under this agreement the following policies

of insurance. Where specific limits are shown, it is understood that they shall be the minimum acceptable limits. If the contractor's policy contains higher limits, the state shall be entitled to coverage to the extent of such higher limits.

Certificates of Insurance must be furnished to the procurement officer prior to contract approval and must provide for a notice of cancellation, non-renewal, or material change of conditions in accordance with policy provisions. Failure to furnish satisfactory evidence of insurance or lapse of the policy is a material breach of this contract and shall be grounds for termination of the contractor's services. All insurance policies shall comply with and be issued by insurers licensed to transact the business of insurance under AS 21.

Proof of insurance is required for the following:

- Workers' Compensation Insurance: The contractor shall provide and maintain, for all employees engaged in work under this contract, coverage as required by AS 23.30.045, and where applicable, any other statutory obligations including but not limited to Federal U.S.L. & H. and Jones Act requirements. The policy must waive subrogation against the state.
- Commercial General Liability Insurance: covering all business premises and operations used by the contractor in the performance of services under this agreement with minimum coverage limits of \$300,000 combined single limit per occurrence.
- Commercial Automobile Liability Insurance: covering all vehicles used by the contractor in the performance of services under this agreement with minimum coverage limits of \$300,000 combined single limit per occurrence.

SECTION 3. BID FORMAT AND CONTENT

SEC. 3.01 BID FORMS

Bidders shall use the front page of this ITB, the Bid Submission Cover Sheet, and any other forms identified in this ITB for submitting bids. All bids must be signed by an individual authorized to bind the bidder to the provisions of the ITB.

BIDDER'S CERTIFICATION

By signature on the bid, the bidder certifies that they comply with the following:

- B. the laws of the State of Alaska;
- C. the applicable portion of the Federal Civil Rights Act of 1964;
- D. the Equal Employment Opportunity Act and the regulations issued thereunder by the state and federal government;
- E. the Americans with Disabilities Act of 1990 and the regulations issued thereunder by the state and federal government and certifies that programs, services, and activities provided to the general public on behalf of the State under a contract resulting from this solicitation comply with the Americans with Disabilities Act of 1990, 28 CFR, Part 35, Subpart B 35.130;
- F. all terms and conditions set out in this ITB;
- G. the price(s) submitted was arrived at independently arrived and without collusion, under penalty of perjury; and
- H. that the bid will remain open and valid for at least 90 days.

If any bidder fails to comply with [a] through [g] of this paragraph, the state reserves the right to disregard the bid, terminate the contract, or consider the contractor in default.

CONFLICT OF INTEREST

Each bid shall include a statement indicating whether the company or any individuals working on the contract has a possible conflict of interest (e.g., currently employed by the State of Alaska or formerly employed by the State of Alaska within the past two years) and, if so, the nature of that conflict. The procurement officer reserves the right to **consider a bid non-responsive and reject it** or cancel the award if any interest disclosed from any source could either give the appearance of a conflict or cause speculation as to the objectivity of the contract to be performed by the bidder.

SEC. 3.02 BID BOND – PERFORMANCE BOND – SURETY DEPOSIT

Bid Bond

Reserved.

Performance Bond

Reserved.

Surety Deposit

Reserved.

SEC. 3.03 PRICES

The bidder shall state prices in the units of issue on this ITB. Prices quoted in bids must be exclusive of federal, state, and local taxes. If the bidder believes that certain taxes are payable by the state, the bidder may list such taxes separately, directly below the bid price for the affected item.

SECTION 4. EVALUATION AND CONTRACTOR SELECTION

SEC. 4.01 EVALUATION OF BIDS

After bid opening, the procurement officer will evaluate the bids for responsiveness. Bids deemed non-responsive will be eliminated from further consideration. An evaluation may not be based on discrimination due the race, religion, color, national origin, sex, age, marital status, pregnancy, parenthood, disability, or political affiliation of the bidder.

SEC. 4.02 APPLICATION OF PREFERENCES

Certain preferences apply to all state contracts, regardless of their dollar value. The Alaska Bidder and Alaska Veteran preferences are the most common preferences involved in the ITB process. Additional preferences that may apply to this procurement are listed below. Guides that contain excerpts from the relevant statutes and codes, explain when the preferences apply and provide examples of how to calculate the preferences are available at the following website:

<https://oppm.doa.alaska.gov/policy-oversight/policy-resources/user-guide-matrixes/>

- Alaska Military Skills Program Preference – AS 36.30.321(I)
- Alaska Products Preference - AS 36.30.332
- Recycled Products Preference - AS 36.30.337
- Local Agriculture and Fisheries Products Preference - AS 36.15.050
- Employment Program Preference - AS 36.30.321(b)
- Alaskans with Disabilities Preference - AS 36.30.321(d)

The Division of Vocational Rehabilitation in the Department of Labor and Workforce Development keeps a list of qualified employment programs and individuals who qualify as persons with a disability. As evidence of a business' or an individual's right to the Employment Program or Alaskans with Disabilities preferences, the Division of Vocational Rehabilitation will issue a certification letter. To take advantage of these preferences, a business or individual must be on the appropriate Division of Vocational Rehabilitation list prior to the time designated for receipt of proposals. Bidders must attach a copy of their certification letter to the proposal. **A bidder's failure to provide this certification letter with their proposal will cause the state to disallow the preference.**

SEC. 4.03 ALASKA BIDDER PREFERENCE

An Alaska Bidder Preference of 5% will be applied to the total bid price. The preference will be given to a bidder who:

- 1) holds a current Alaska business license prior to the deadline for receipt of bids;
- 2) submits a bid for goods or services under the name appearing on the bidder's current Alaska business license;

- 3) has maintained a place of business within the state staffed by the bidder, or an employee of the bidder, for a period of six months immediately preceding the date of the bid;
- 4) is incorporated or qualified to do business under the laws of the state, is a sole proprietorship and the proprietor is a resident of the state, is a limited liability company (LLC) organized under AS 10.50 and all members are residents of the state, or is a partnership under AS 32.06 or AS 32.11 and all partners are residents of the state; and
- 5) if a joint venture, is composed entirely of ventures that qualify under (1)-(4) of this subsection.

Alaska Bidder Preference Certification Form

To receive the Alaska Bidder Preference, the bid must include the Alaska Bidder Preference Certification Form attached to this ITB. A bidder does not need to complete the Alaska Veteran Preference questions on the form if not claiming the Alaska Veteran Preference. A bidder's failure to provide this completed form with their bid will cause the state to disallow the preference.

SEC. 4.04 ALASKA VETERAN PREFERENCE

An Alaska Veteran Preference of 5%, not to exceed \$5,000, will be applied to the total bid price. The preference will be given to a bidder who qualifies under AS 36.30.990(2) as an Alaska Bidder and is a:

- a) sole proprietorship owned by an Alaska veteran;
- b) partnership under AS 32.06 or AS 32.11 if a majority of the partners are Alaska veterans;
- c) limited liability company organized under AS 10.50 if a majority of the members are Alaska veterans; or
- d) corporation that is wholly owned by individuals, and a majority of the individuals are Alaska veterans.

In accordance with AS 36.30.321(i), the bidder must also add value by actually performing, controlling, managing, and supervising the services provided, or for supplies, the bidder must have sold supplies of the general nature solicited to other state agencies, other government, or the general public.

Alaska Veteran Preference Certification

To receive the Alaska Veteran Preference, the bid must include the Alaska Bidder Preference Certification Form attached to this ITB. A bidder's failure to provide this completed form with their bid will cause the state to disallow the preference.

SEC. 4.05 ALASKA MILITARY SKILLS PROGRAM PREFERENCE

An Alaska Military Skills Program Preference of 2%, not to exceed \$5,000, will be applied to the price in the proposal. The preference will be given to an offeror who qualifies under AS 36.30.990(2) as an Alaska bidder and:

- a) Employs at least one person who is currently enrolled in, or within the previous two years graduated from, a United States Department of Defense SkillBridge or United States Army career skills program for service members or spouses of service members that offers civilian work experience through specific industry training, pre-apprenticeships, registered apprenticeships, or internships during the last 180 days before a service member separates or retires from the service; or
- b) has an active partnership with an entity that employs an apprentice through a program described above.

In accordance with AS 36.30.321(i), the bidder must also add value by actually performing, controlling, managing, and supervising the services provided, or for supplies, the bidder must have sold supplies of the general nature solicited to other state agencies, other government, or the general public.

Alaska Military Skills Program Preference Certification

In order to receive the Alaska Military Skills Program Preference, the bid must include the Alaska Bidder Preference Certification Form attached to this ITB. A bidder's failure to provide this completed form with their bid will cause the state to disallow the preference.

In addition, proof of graduation of the qualifying employee from an eligible program as described in AS 36.30.321(l) must be provided to the Procurement Officer at time of bid submission. Bidders must provide clarification or additional information requested by the Procurement Officer related to the preference not later than 5:00 PM Alaska Time one (1) business day following the date of the request. Failure to provide sufficient documentation will result in the bidder not receiving the Military Skills Program Preference.

SEC. 4.06 USE OF LOCAL FOREST PRODUCTS

In a project financed by state money in which the use of timber, lumber and manufactured lumber is required, only timber, lumber and manufactured lumber products originating in this state from Alaska forests shall be used unless the use of those products has been determined to be impractical, in accordance with AS 36.15.010 and AS 36.30.322.

SEC. 4.07 LOCAL AGRICULTURAL AND FISHERIES PRODUCT PREFERENCE

When agricultural, dairy, timber, lumber, or fisheries products are purchased using state money, a seven percent (7%) preference shall be applied to the price of the products harvested in Alaska, or in the case of fisheries products, the products harvested or processed within the jurisdiction of Alaska, in accordance with AS 36.15.050.

SEC. 4.08 ALASKA PRODUCT PREFERENCE

A bidder that designates the use of an Alaska Product which meets the requirements of the ITB specifications and is designated as a Class I, Class II, or Class III Alaska Product by the Department of Community & Economic Development (DCCED) may receive a preference in the bid evaluation in accordance with AS 36.30.332 and 3 AAC 92.010.

To qualify for the preference, the product must have received certification from DCCED, be listed in the current published edition of the Alaska Products Preference List, and the bidder must provide the qualified product on a 100% basis. There are no provisions under Alaska Statutes or Regulations that allow for a product exchanges/substitutions or permit the product to be co-mingled with other products. Rather, AS 36.30.330 provides for a penalty for failing to use the designated Alaska products.

Products are classified in one of three categories:

- Class I products receive a 3% preference.
- Class II products receive a 5% preference.

- Class III products receive a 7% preference.

When the bids are evaluated, the preference percentage will be deducted from the product price. If a bidder fails to specify the brand being offered, no preference will be given. For more information on the Alaska Product Preference and to see the list of products currently on the Alaska Product Preference List, use the following web link:

<https://www.commerce.alaska.gov/web/dcra/AlaskaProductPreferenceProgram.aspx>

Brand Offered

If offering a product that qualifies for the Alaska Product Preference, the bidder must indicate the brand of product they intent to provide. If a bidder is not offering a product that qualifies for the Alaska Product Preference, the bidder does not need to indicate a product brand.

Brand of Product Changes

During the course of the contract including all renewal options, a contractor that offered a product that qualified for the Alaska Product Preference wishes to change the product brand, the contractor must first provide a written request, along with evidence that the replacement brand also qualifies for the Alaska Product Preference, for approval by the procurement officer. A contract amendment must be issued by the procurement officer to authorize the change.

If a bidder offers a product brand in the original bid that does not qualify for the Alaska Product Preference, a change in the product brand may be made at any time during the course of the contract, including all renewals, as long as the product band continues to meet the required specifications. A contract amendment is not required if the product brand originally offered did not qualify for the Alaska Product Preference.

SEC. 4.09 EMPLOYMENT PROGRAM PREFERENCE

If a bidder qualifies for the Alaska Bidder Preference and is offering goods or services through an employment program as defined under AS 36.30.990(12), an Employment Program Preference of 15% will be applied to the total bid price.

In accordance with AS 36.30.321(i), the bidder must also add value by actually performing, controlling, managing, and supervising the services provided, or for supplies, the bidder must have sold supplies of the general nature solicited to other state agencies, other government, or the general public.

SEC. 4.10 ALASKANS WITH DISABILITIES PREFERENCE

If a bidder qualifies for the Alaska Bidder Preference and is a qualifying entity as defined in AS 36.30.321(d), an Alaskans with Disabilities Preference of 10% will be applied to the total bid price.

In accordance with AS 36.30.321(i), the bidder must also add value by actually performing, controlling, managing, and supervising the services provided, or for supplies, the bidder must have sold supplies of the general nature solicited to other state agencies, other government, or the general public.

SEC. 4.11 PREFERENCE QUALIFICATION LETTER

Regarding the Employment Program Preference and the Alaskans with Disabilities Preference, the Division of Vocational Rehabilitation in the Department of Labor and Workforce Development maintains lists companies who qualify for those preferences. As evidence of a company's right to the preferences, the Division of Vocational Rehabilitation will issue a certification letter. To take advantage of the preferences, a bidder must be on the appropriate Division of Vocational Rehabilitation list at the time the bid is opened and must attach a copy of their certification letter to their bid. The bidder's failure to provide this certification letter with their bid will cause the state to disallow the preference.

SEC. 4.12 EXTENSION OF PRICES

In case of error in the extension of prices in the bid, the unit prices will govern; in a lot bid, the lot prices will govern.

SEC. 4.13 METHOD OF AWARD

Award will be made to the lowest responsive and responsible bidder. To be considered responsive, bidders must bid on all items.

SEC. 4.14 CONTRACTOR SELECTION PROCESS

Once the contracts are established this selection process will be used. When the state needs to order the product or service, the lowest priced contractor for that location will be contacted first. If, for any reason, the lowest contractor is not available to perform the needed service, the state will contact the next lowest priced contractor for that location. This process will continue until a contractor who can perform the service is located. The location of the contractor initially contacted will be determined by the starting location of the call-out. For example, if there was a need to transport a person from Anchorage to Fairbanks and then guard the person for two days in Fairbanks, the agency would contact Anchorage contractors, even though a substantial portion of the actual service would be performed in Fairbanks.

SEC. 4.15 NOTICE OF INTENT TO AWARD

After the responses to this ITB have been opened and evaluated, a tabulation of the bids will be prepared. This tabulation, called a Notice of Intent to Award, serves two purposes. It lists the name of each company or person that offered a bid and the price they bid. It also provides notice of the state's intent to award a contract(s) to the bidder(s) indicated. A copy of the Notice of Intent will be sent to each company or person who responded to the ITB. Bidders identified as the apparent low responsive bidders are instructed not to proceed until a Purchase Order, Contract Award, Lease, or some other form of written notice is given by the procurement officer. A company or person who proceeds prior to receiving a Purchase Order, Contract Award, Lease, or some other form of written notice from the procurement officer does so without a contract and at their own risk.

SECTION 5. GENERAL PROCESS AND LEGAL INFORMATION

SEC. 5.01 INFORMAL DEBRIEFING

When the contract is completed, an informal debriefing may be performed at the discretion of the procurement officer. If performed, the scope of the debriefing will be limited to the products provided or work performed by the contractor.

SEC. 5.02 ALASKA BUSINESS LICENSE AND OTHER REQUIRED LICENSES

Prior to the award of a contract, a bidder must hold a valid Alaska business license. However, to receive the Alaska Bidder Preference and other related preferences, such as the Alaska Veteran Preference and Alaskans with Disabilities Preference, a bidder must hold a valid Alaska business license prior to the deadline for receipt of bids. Bidders should contact the **Department of Commerce, Community and Economic Development, Division of Corporations, Business, and Professional Licensing, PO Box 110806, Juneau, Alaska 99811-0806**, for information on these licenses. Acceptable evidence that the bidder possesses a valid Alaska business license may consist of any one of the following:

- copy of an Alaska business license,
- certification on the bid that the bidder has a valid Alaska business license and has included the license number in the bid,
- a canceled check for the Alaska business license fee,
- a copy of the Alaska business license application with a receipt stamp from the state's occupational licensing office, or
- a sworn and notarized statement that the bidder has applied and paid for the Alaska business license.

You are not required to hold a valid Alaska business license at the time bids are opened if you possess one of the following licenses and are offering services or supplies under that specific line of business:

- fisheries business licenses issued by Alaska Department of Revenue or Alaska Department of Fish and Game,
- liquor licenses issued by Alaska Department of Revenue for alcohol sales only,
- insurance licenses issued by Alaska Department of Commerce, Community and Economic Development, Division of Insurance, or
- Mining licenses issued by Alaska Department of Revenue.

Prior the deadline for receipt of bids, all bidders must hold any other necessary applicable professional licenses required by Alaska Statute.

SEC. 5.03 AUTHORITY

This ITB is written in accordance with AS 36.30 and 2 AAC 12.

SEC. 5.04 COMPLIANCE

In the performance of a contract that results from this ITB, the contractor must comply with all applicable federal, state, and borough regulations, codes, and laws; be liable for all required insurance, licenses, permits and bonds; and pay all applicable federal, state, and borough taxes.

SEC. 5.05 SUITABLE MATERIALS, ETC.

Unless otherwise specified in this ITB, all materials, supplies or equipment offered by a bidder shall be new, unused, and of the latest edition, version, model, or crop and of recent manufacture.

SEC. 5.06 SPECIFICATIONS

Unless otherwise specified in this ITB, product brand names or model numbers specified in this ITB are examples of the type and quality of product required and are not statements of preference. If the specifications describing an item conflict with a brand name or model number describing the item, the specifications govern. Reference to brand name or number does not preclude an offer of a comparable or better product, if full specifications and descriptive literature are provided for the product. Failure to provide such specifications and descriptive literature may be cause for rejection of the offer.

SEC. 5.07 BRAND SPECIFIC

Certain items may be designated brand specific. When an item is designated no substitutions for the brand and model specified will be allowed.

SEC. 5.08 ITEM UPGRADES

The state reserves the right to accept upgrades to models on the basic contract when the upgrades improve the way the equipment operates or improve the accuracy of the equipment. Such upgraded items must be at the same price as the items in the basic contract.

SEC. 5.09 WORKMANSHIP AND MATERIALS

All work must be performed in a thorough and workmanlike manner and in accordance with current industry practices. The contractor will be held responsible for the quality of the service, maintenance, and inspections. Service, maintenance, and inspections that are improperly done will be redone, by the contractor, at the contractor's risk and expense.

SEC. 5.10 CONTRACTOR SITE INSPECTION

The state may conduct on-site visits to evaluate the bidder's capacity to perform the contract. A bidder must agree, at risk of being found non-responsive and having its bid rejected, to provide the state reasonable access to relevant portions of its work sites. Individuals designated by the procurement officer at the state's expense will make site inspection.

SEC. 5.11 ORDER DOCUMENTS

Except as specifically allowed under this ITB, an ordering agency will not sign any vendor contract. The state is not bound by a vendor contract signed by a person who is not specifically authorized to sign for the state under this

ITB. Unless otherwise specified in this ITB, the State of Alaska Purchase Order, Contract Award and Delivery Order are the only order documents that may be used to place orders against the contract(s) resulting from this ITB.

SEC. 5.12 HUMAN TRAFFICKING

By signature on their bid, the bidder certifies that the bidder is not established and headquartered or incorporated and headquartered in a country recognized as Tier 3 in the most recent United States Department of State's Trafficking in Persons Report.

The most recent United States Department of State's Trafficking in Persons Report can be found at the following website: <http://www.state.gov/j/tip/>

Failure to comply with this requirement will cause the state to reject the bid as non-responsive or cancel the contract.

SEC. 5.13 RIGHT OF REJECTION

Bidders must comply with all the terms of the ITB, the State Procurement Code (AS 36.30), and all applicable local, state, and federal laws, codes, and regulations. The procurement officer may reject any bid that does not comply with all the material and substantial terms, conditions, and performance requirements of the ITB.

Bidders may not qualify the bid nor restrict the rights of the state. If a bidder does so, the procurement officer may determine the bid to be a non-responsive counteroffer and the bid may be rejected.

Minor informalities that:

- do not affect responsiveness,
- are merely a matter of form or format,
- do not change the relative standing or otherwise prejudice other bidders,
- do not change the meaning or scope of the ITB,
- are trivial, negligible, or immaterial in nature,
- do not reflect a material change in the work, or
- do not constitute a substantial reservation against a requirement or provision,

may be waived by the procurement officer.

The state reserves the right to refrain from making an award if it is determined to be in the state's best interest.
A bid from a debarred or suspended bidder shall be rejected.

SEC. 5.14 STATE NOT RESPONSIBLE FOR PREPARATION COSTS

The state will not pay any cost associated with the preparation, submittal, presentation, or evaluation of any bid.

SEC. 5.15 DISCLOSURE OF BID CONTENTS

All bid prices become public information at the bid opening. After the deadline for receipt of bids, all other bid material submitted become the property of the State of Alaska and may be returned only at the state's option. AS 40.25.110 requires public records to be open to reasonable inspection. All other bid information will be held in confidence during the evaluation process and prior to the time a Notice of Intent to Award is issued. Thereafter, bids will become public information.

The Office of Procurement and Property Management (OPPM), or their designee recognizes that some information a bidder submits might be confidential under the United States or the State of Alaska Constitution, a federal statute or regulation, or a State of Alaska statute: i.e., might be confidential business information (CBI). *See, e.g.*, article 1, section 1 of the Alaska Constitution; AS 45.50.910 – 45.50.945 (the Alaska Uniform Trade Secrets Act); *DNR v. Arctic Slope Regional Corp.*, 834 P.2d 134, 137-39 (Alaska 1991). For OPPM or their designee to treat information a bidder submits with its bid as CBI, the bidder must do the following when submitting their bid: (1) mark the specific information it asserts is CBI; and (2) for each discrete set of such information, identify, in writing, each authority the bidder asserts make the information CBI. If the bidder does not do these things, the information will become public after the Notice of Intent to Award is issued. If the bidder does these things, OPPM or their designee will evaluate the bidder's assertion upon receiving a request for the information. If OPPM or their designee reject the assertion, they will, to the extent permitted by federal and State of Alaska law, undertake reasonable measures to give the bidder an opportunity to object to the disclosure of the information.

SEC. 5.16 ASSIGNMENTS

Per 2 AAC 12.480, the contractor may not transfer or assign any portion of the contract without prior written approval from the procurement officer. Bids that are conditioned upon the state's approval of an assignment will be rejected as non-responsive.

SEC. 5.17 FORCE MAJEURE (IMPOSSIBILITY TO PERFORM)

The parties to a contract resulting from this ITB are not liable for the consequences of any failure to perform, or default in performing, any of its obligations under the contract, if that failure or default is caused by any unforeseeable Force Majeure, beyond the control of, and without the fault or negligence of, the respective party.

For the purposes of this ITB, Force Majeure will mean war (whether declared or not); revolution; invasion; insurrection; riot; civil commotion; sabotage; military or usurped power; lightning; explosion; fire; storm; drought; flood; earthquake; epidemic; quarantine; strikes; acts or restraints of governmental authorities affecting the project or directly or indirectly prohibiting or restricting the furnishing or use of materials or labor required; inability to secure materials, machinery, equipment or labor because of priority, allocation or other regulations of any governmental authorities.

SEC. 5.18 DEFAULT

In case of default by the contractor, for any reason whatsoever, the state may procure the goods or services from another source and hold the contractor responsible for any resulting excess cost and may seek other remedies under law or equity.

SEC. 5.19 DISPUTES

If the contractor has a claim arising in connection with the contract that it cannot resolve with the state by mutual agreement, it shall pursue the claim, if at all, in accordance with the provisions of AS 36.30.620 – AS 36.30.632.

SEC. 5.20 SEVERABILITY

If any provision of the contract or agreement is found to be invalid or declared by a court to be illegal or in conflict with any law, the validity of the remaining terms and provisions will not be affected; and the rights and obligations of the parties will be construed and enforced as if the contract did not contain the particular provision held to be invalid.

SEC. 5.21 CONTRACT CANCELLATION

- 1) The state reserves the right to cancel the contract at its convenience upon **NUMBER** calendar days written notice to the contractor. The state is only liable for payment in accordance with the payment provisions of this contract for supplies or services provide before the effective date termination.
- 2) By signature on their bid, the bidder certifies that they will not support or participate in a boycott of the State of Israel. Failure to comply with this requirement may cause the state to reject the bid as non-responsive or cancel the contract.

SEC. 5.22 GOVERNING LAW; FORUM SELECTION

A contract resulting from this ITB is governed by the laws of the State of Alaska. To the extent not otherwise governed by Section 5.15 of this ITB, any claim concerning the contract shall be brought only in the Superior Court of the State of Alaska and not elsewhere.

SEC. 5.23 QUALIFIED BIDDERS

Per 2 AAC 12.875, unless provided for otherwise in the ITB, to qualify as a bidder for award of a contract issued under AS 36.30, the bidder must:

- 1) Add value in the contract by actually performing, controlling, managing, or supervising the services to be provided; or
- 2) Be in the business of selling and have actually sold on a regular basis the supplies that are the subject of the ITB.

If the bidder leases services or supplies or acts as a broker or agency in providing the services or supplies to meet these requirements, the procurement officer may not accept the bidder as a qualified bidder under AS 36.30.

SEC. 5.24 FEDERALLY IMPOSED TARIFFS

Changes in price (increase or decrease) resulting directly from a new or updated federal tariff, excise tax, or duty, imposed after contract award may be adjusted during the contract period or before delivery into the United States via contract amendment.

- **Notification of Changes:** The contractor must promptly notify the procurement officer in writing of any new, increased, or decreased federal excise tax or duty that may result in either an increase or decrease in the contact price and shall take appropriate action as directed by the procurement officer.
- **After-imposed or Increased Taxes and Duties:** Any federal excise tax or duty for goods or services covered by this contract that was exempted or excluded on the contract award date but later imposed on the contractor during the contract period, as the result of legislative, judicial, or administrative action may result in a price increase provided:
 - a) The tax or duty takes effect after the contract award date and isn't otherwise addressed by the contract.
 - b) The contractor warrants, in writing, that no amount of the newly imposed federal excise tax or duty or rate increase was included in the contract price, as a contingency or otherwise.
- **After-relieved or Decreased Taxes and Duties:** The contract price shall be decreased by the amount of any decrease in federal excise tax or duty for goods or services under the contract, except social security or other employment [taxes](#), that the contractor is required to pay or bear, or does not obtain a refund of, through the contractor's fault, negligence, or failure to follow instructions of the procurement officer.
- **State's Ability to Make Changes:** The state reserves the right to request verification of federal excise tax or duty amounts on goods or services covered by this contract and increase or decrease the contract price accordingly.
- **Price Change Threshold:** No adjustment shall be made in the contract price under this clause unless the amount of the adjustment exceeds \$250.

SEC. 5.25 PROTEST

AS 36.30.560 provides that an interested party may protest the content of the ITB.

An interested party is defined in 2 AAC 12.990(a) (7) as "an actual or prospective bidder or bidder whose economic interest might be affected substantially and directly by the issuance of a contract solicitation, the award of a contract, or the failure to award a contract."

If an interested party wishes to protest the content of a solicitation, the protest must be received, in writing, by the procurement officer at least ten days prior to the deadline for receipt of bids.

AS 36.30.560 also provides that an interested party may protest the award of a contract or the proposed award of a contract.

If a bidder wishes to protest the award of a contract or the proposed award of a contract, the protest must be received, in writing, by the procurement officer within ten days after the date the Notice of Intent to Award the contract is issued.

A protester must have submitted a bid to have sufficient standing to protest the proposed award of a contract. Protests must include the following information:

- the name, address, and telephone number of the protester,
- the signature of the protester or the protester's representative,
- identification of the contracting agency and the solicitation or contract at issue,
- a detailed statement of the legal and factual grounds of the protest including copies of relevant documents, and
- the form of relief requested.

Protests filed by telex or telegram are not acceptable because they do not contain a signature. Fax copies containing a signature are acceptable.

The procurement officer will issue a written response to the protest. The response will set out the procurement officer's decision and contain the basis of the decision within the statutory time limit in AS 36.30.580. A copy of the decision will be furnished to the protester by certified mail, fax or another method that provides evidence of receipt.

All bidders will be notified of any protest. The review of protests, decisions of the procurement officer, appeals, and hearings, will be conducted in accordance with the State Procurement Code (AS 36.30), Article 8 "Legal and Contractual Remedies."

SECTION 6. ATTACHMENTS

SEC. 6.01 ATTACHMENTS

Attachments:

- 1) ITB Cover Submittal (required to be considered responsive)
- 2) Bid Schedule (Required to be considered responsive)
- 3) Standard Contract Form (Informational)
- 4) Appendix F – Federal Debarment (required to be considered responsive)
- 5) Specifications and Drawings (informational)

ATTACHMENT 1 Bid Submission Cover Sheet

PROJECT INFORMATION

ITB NUMBER: _____
PROJECT NAME: _____

BIDDER INFORMATION

Company Name: _____
Address: _____
Tax ID: _____
Alaska Business License #: _____

CONTACT INFORMATION

Provide contact information for the individual that can be contacted for clarification regarding this bid:

Name _____
Title _____
Address _____
Email _____
Telephone _____

ADDENDA ACKNOWLEDGEMENT

The bidder acknowledges receipt of the following amendments and has incorporated the requirements of such amendments into their bid. Failure to identify and sign for all amendments may subject the bidder to disqualification. The bidder must list all amendments (by number), then initial and date to confirm that you have received and incorporated them into your bid (add more rows as necessary).

Number	Initials & Date

Number	Initials & Date

Number	Initials & Date

CERTIFICATIONS

No	Criteria	Response*
1	The bidder is presently engaged in the business of providing the products and/or services required in this ITB.	<input type="checkbox"/> YES <input type="checkbox"/> NO
2	The bidder confirms that it has the financial strength to provide and/or perform and maintain the services required under this ITB.	<input type="checkbox"/> YES <input type="checkbox"/> NO
3	The bidder accepts the terms and conditions set out in the ITB and agrees not to restrict the rights of the state.	<input type="checkbox"/> YES <input type="checkbox"/> NO
4	The bidder confirms that they can obtain and maintain all necessary insurance as required on this project.	<input type="checkbox"/> YES <input type="checkbox"/> NO
5	The bidder certifies that all services provided under this contract by the contractor and all subcontractors shall be performed in the United States.	<input type="checkbox"/> YES <input type="checkbox"/> NO
6	The bidder is not established and headquartered or incorporated and headquartered, in a country recognized as Tier 3 in the most recent United States Department of State's Trafficking in Persons Report.	<input type="checkbox"/> YES <input type="checkbox"/> NO
7	The bidder complies with the American with Disabilities Act of 1990 and the regulations issued thereunder by the federal government.	<input type="checkbox"/> YES <input type="checkbox"/> NO
8	The bidder complies with the Equal Employment Opportunity Act and the regulations issued thereunder by the federal government.	<input type="checkbox"/> YES <input type="checkbox"/> NO
9	The bidder complies with the applicable portion of the Federal Civil Rights Act of 1964.	<input type="checkbox"/> YES <input type="checkbox"/> NO
10	The bidder can provide (if requested) financial records for the organization for the past three years.	<input type="checkbox"/> YES <input type="checkbox"/> NO
11	The bidder has not had any contracts terminated by the State of Alaska (within the past five years).	<input type="checkbox"/> YES <input type="checkbox"/> NO
12	The bidder certifies that it is not currently debarred, suspended, proposed for debarment, or declared ineligible for award by any public or federal entity.	<input type="checkbox"/> YES <input type="checkbox"/> NO
13	The offeror certifies that they will not support or participate in a boycott of Israel. Failure to comply with this requirement may cause the state to reject the proposal as non-responsive or cancel the contract.	<input type="checkbox"/> YES <input type="checkbox"/> NO
14	The bidder certifies that they do not have any governmental or regulatory action against their organization that might have a bearing on their ability to provide products and/or services to the State.	<input type="checkbox"/> YES <input type="checkbox"/> NO
15	The bidder certifies, within the last five years, they have not been convicted or had judgment rendered against them for: fraud, embezzlement, theft, forgery, bribery, falsification or destruction of records, false statements, or tax evasion.	<input type="checkbox"/> YES <input type="checkbox"/> NO
16	The bidder does not have any judgments, claims, arbitrations or suits pending/outstanding against your company in which an adverse outcome would be material to the company.	<input type="checkbox"/> YES <input type="checkbox"/> NO
17	The bidder is not (now or in the past) been involved in bankruptcy or reorganized proceeding.	<input type="checkbox"/> YES <input type="checkbox"/> NO
18	The bidder certifies they comply with the laws of the State of Alaska.	<input type="checkbox"/> YES <input type="checkbox"/> NO
19	The bidder confirms their bid will remain valid and open for at least 90 days.	<input type="checkbox"/> YES <input type="checkbox"/> NO

* Failure to answer or answering "False" may be grounds for disqualification. For any "False" responses, provide clarification (up to 250 word maximum for each "False" clarification) below (add rows as necessary).

Number	Clarification

ALASKA PREFERENCES

If you wish to claim any Alaska Preferences, please complete the Alaska Bidder Preference Certification Form that follows the below signature section.

SIGNATURE

This bid must be signed by a company officer empowered to bind the company.

Printed Name _____
Title _____
Date _____
Signature _____

ALASKA BIDDER PREFERENCE CERTIFICATION FORM

AS 36.30.321 (A) / AS 36.30.990 (2)

Solicitation Number	
Project Description	
Business Name	
Alaska Business License Number	

A signed copy of this form must be included with your bid or proposal no later than the deadline set for receipt of bids or proposals.

If you are submitting a bid or proposal as a **JOINT VENTURE**, all members of the joint venture must complete and submit this form before the deadline set for receipt of bids or proposals. [AS 36.30.990\(2\)\(E\)](#)

If the procuring agency is unable to verify a response, the preference may not be applied. Knowingly or intentionally making false or misleading statements on this form, whether it succeeds in deceiving or misleading, constitutes misrepresentation per [AS 36.30.687](#) and may result in criminal penalties.

SIGNATURE

By signature below, I certify under penalty of law that I am an authorized representative of the above entity and all information on this form is true and correct to the best of my knowledge.

Printed Name:	
Title:	
Date:	
Signature:	

Alaska Bidder Preference: Do you believe your firm qualifies for the Alaska Bidder Preference?	<input type="checkbox"/> Yes <input type="checkbox"/> No
Alaska Veterans Preference: Do you believe your firm qualifies for the Alaska Veteran Preference?	<input type="checkbox"/> Yes <input type="checkbox"/> No
Alaska Military Skills Program Preference: Do you believe your firm qualifies for the Alaska Military Skills Program Preference?	<input type="checkbox"/> Yes <input type="checkbox"/> No

To qualify for and claim the **Alaska Bidder Preference** you must answer **YES** to all questions in the Alaska Bidder Preference Question section below:

Alaska Bidder Preference Questions

1	Does your business hold a current Alaska business license per AS 36.30.990(2)(A)?	<input type="checkbox"/> Yes <input type="checkbox"/> No
2	Is your business submitting a bid or proposal under the name appearing on the Alaska Business license identified above? Per AS36.30.990 (2)(B)?	<input type="checkbox"/> Yes <input type="checkbox"/> No

3	Has your business maintained a place of business within the state staffed by the bidder or offeror or an employee of the bidder or offeror for a period of six months immediately preceding the date of the bid or proposal per AS 36.30.990 (2)(C)?	<input type="checkbox"/> Yes <input type="checkbox"/> No
---	--	--

If the answer to question 3 is YES, complete the following:

Physical Place of Business Address	
City	
Zip Code	

“Place of business” is defined as a location at which normal business activities are conducted, services are rendered, or goods are made, stored, or processed; a post office box, mail drop, telephone, or answering service does not, by itself, constitute a place of business per [2 AAC 12.990\(b\)\(3\)](#).

Do you certify the Place of Business identified above meets this definition?	<input type="checkbox"/> Yes <input type="checkbox"/> No
--	--

Per AS 16.05.415(a) per 2AAC 12.990(b)(7), the bidder or offeror, or at least one employee of the bidder or offeror must be a resident of the state?

1	Do you certify the bidder or offeror, or, at least one employee of the bidder or offeror is physically present in the state with the intent to remain in Alaska indefinitely and to make a home in the state per AS 16.05.415(a)(2)?	<input type="checkbox"/> Yes <input type="checkbox"/> No
2	Do you certify the resident(s) used to meet this requirement has maintained a domicile in Alaska for the 12 months immediately preceding the deadline set for receipt of bids or proposals per AS 16.05.415(a)(2)?	<input type="checkbox"/> Yes <input type="checkbox"/> No
3	Do you certify the resident(s) used to meet this requirement is only claiming residency in Alaska per AS 16.05.415(a)(3)?	<input type="checkbox"/> Yes <input type="checkbox"/> No
4	Do you certify the resident used to meet this requirement is not obtaining benefits under a claim of residency in another state, territory, or country per As 16.05.415 (a)(4)?	<input type="checkbox"/> Yes <input type="checkbox"/> No

Per AS 36.30.990(2)(D), is your business:

1	Incorporated or qualified to do business under the laws of the state?	<input type="checkbox"/> Yes <input type="checkbox"/> No
---	---	--

If yes, enter the current Alaska Corporate Entity Number:

Indicate below how your business is organized:

1	Is your business a Sole Proprietorship and the Proprietor is a resident of the state?	<input type="checkbox"/> Yes <input type="checkbox"/> No
2	Is your business a Limited Liability Corporation organized under AS 10.50 and ALL members are residents of the state?	<input type="checkbox"/> Yes <input type="checkbox"/> No

If the answer to question 2 above is YES, please identify each member by name:

3	Is your business a partnership under former AS32.05, AS32.06, or AS32.11 and all partners are residents of the state?	<input type="checkbox"/> Yes <input type="checkbox"/> No
---	---	--

If the answer to question 3 above is YES, please identify each partner by name:

Alaska Veterans Preference Questions:

To qualify for and claim the Alaska Veteran Preference, you must answer **YES** to the below questions as well as answer **YES** to all the questions in the Alaska Veteran Preference section above.

Per AS36.30.321(F), is your business:

1	A sole proprietorship owned by an Alaska veteran?	<input type="checkbox"/> Yes <input type="checkbox"/> No
2	A partnership under AS32.06 or AS32.11 and a majority of the members are Alaska veterans?	<input type="checkbox"/> Yes <input type="checkbox"/> No
3	A limited liability company organized under AS10.50 and a majority of the members are Alaska veterans?	<input type="checkbox"/> Yes <input type="checkbox"/> No
4	A corporation that is wholly owned by individuals, and a majority of the individuals are Alaska veterans?	<input type="checkbox"/> Yes <input type="checkbox"/> No

Per AS36.30.321(F)(3), an “Alaska veteran” is defined as an individual who:

- A. Served in the:
 - a. Armed forces of the United States, including a reserve unit of the United States armed forces ; or
 - b. Alaska Territorial Guard, The Alaska Army National Guard, the Alaska Air Nations Guards, or the Alaska Naval Militia; and,
- B. Was separated from services under a condition that was not dishonorable.

4	Do you certify the individual(s) indicated in items 1-4 above meet this definition and can provide documentation of their service and discharge in necessary?	<input type="checkbox"/> Yes <input type="checkbox"/> No
---	---	--

Alaska Military Skills Program Preference Questions

To qualify for and claim the Alaska Military Skills Program Preference, you must answer **YES** to the below questions as well as answer **YES** to all the questions in the Alaska Bidder Preference section above.

Per 36.30.321(I), does your business:

1	Employ at least one person who is enrolled in, or within the past two years, graduated from, a United States Department of Defense SkillBridge or United States Army career skills program that offers civilian work experience through specific industry training, pre-apprenticeships, registered apprenticeships, or internships during the last 180 days before a service member separates or retires from the service; or	<input type="checkbox"/> Yes <input type="checkbox"/> No
2	Have an active partnership with an entity that employs an apprentice through a program described in item 1 above?	<input type="checkbox"/> Yes <input type="checkbox"/> No
3	Have proof of an employee’s graduation or enrollment in a qualified program as described in 1. above?	<input type="checkbox"/> Yes <input type="checkbox"/> No

Attachment 2 – Bid Schedule

All inclusive price for Umiat sleeper unit as specified in Section 2 – Scope of Work, and Attachment 5 – Specifications and Drawings. Including shipping to Fairbanks, AK:

Bid Amount: \$_____

**Bidders will be held to bid amount submitted in their bids. Price adjustments will not be accepted.*

STANDARD CONTRACT FORM

Goods and Non-Professional Services

The parties' contract comprises this Standard Contract Form, as well as its referenced Articles and their associated Appendices.

1. Agency Contract Number	2. Contract Title	3. Agency Fund Code	4. Agency Appropriation Code
5. Vendor Number	6. IRIS GAE Number (if used)	7. Alaska Business License Number	
This contract is between the State of Alaska,			
8. Department of	Division	hereafter the State, and	
9. Contractor			hereafter the Contractor
Mailing Address	Street or P.O. Box	City	State ZIP+4

10.	
ARTICLE 1. Appendices: Appendices referred to in this contract and attached to it are considered part of it.	
ARTICLE 2. Performance of Contract:	
2.1 Appendix A (General Conditions), Items 1 through 19, govern contract performance.	
2.2 Appendix B sets forth the indemnification and insurance provisions of this contract.	
2.3 Appendix C sets forth the scope of work/services to be performed by the contractor.	
ARTICLE 3. Period of Performance: The period of performance for this contract begins _____, and ends _____.	
ARTICLE 4. Considerations:	
4.1 In full consideration of the contractor's performance under this contract, the State shall pay the contractor a sum not to exceed \$_____ in accordance with the provisions of Appendix D.	
4.2 When billing the State, the contractor shall refer to the Agency Contract Number and send the billing to:	
11. Department of	Attention: Division of
Mailing Address	Attention:

12. CONTRACTOR	13. CONTRACTING AGENCY
Name of Firm	Department/Division
Signature of Authorized Representative	Signature of Procurement Officer
Typed or Printed Name of Authorized Representative	Typed or Printed Name of Procurement Officer
Date	Date

NOTICE! This contract has no effect until signed by the head of the contracting agency, procurement officer or designee.

**APPENDIX A
GENERAL CONDITIONS**

1. Inspections and Reports:

The department may inspect, in the manner and at reasonable times it considers appropriate, all of the contractor's facilities and activities under this contract. The contractor shall make progress and other reports in the manner and at the times the department reasonably requires.

2. Suitable Materials, Etc.:

Unless otherwise specified, all materials, supplies or equipment offered by the contractor shall be new, unused, and of the latest edition, version, model, or crop and of recent manufacture.

3. Disputes:

If the contractor has a claim arising in connection with the contract that it cannot resolve with the State by mutual agreement, it shall pursue the claim, if at all, in accordance with the provisions of AS 36.30.620-AS 36.30.632

4. Default:

In case of default by the contractor, for any reason whatsoever, the State of Alaska may procure the goods or services from another source and hold the contractor responsible for any resulting excess cost and may seek other remedies under law or equity.

5. No Assignment or Delegation:

The contractor may not assign or delegate this contract, or any part of it, or any right to any of the money to be paid under it, except with the written consent of the Procurement Officer.

6. No Additional Work or Material:

No claim for additional supplies or services, not specifically provided in this contract, performed, or furnished by the contractor, will be allowed, nor may the contractor do any work or furnish any material not covered by the contract unless the work or material is ordered in writing by the Procurement Officer.

7. Independent Contractor:

The contractor and any agents and employees of the contractor act in an independent capacity and are not officers or employees or agents of the State in the performance of this contract.

8. Payment of Taxes:

As a condition of performance of this contract, the contractor shall pay all federal, State, and local taxes incurred by the contractor and shall require their payment by any subcontractor or any other persons in the performance of this contract. Satisfactory performance of this paragraph is a condition precedent to payment by the State under this contract.

9. Compliance:

In the performance of this contract, the contractor must comply with all applicable federal, state, and borough regulations, codes, and laws, and be liable for all required insurance, licenses, permits and bonds.

10. Conflicting Provisions:

Unless specifically amended and approved by the Department of Law, the terms of this contract supersede any provisions the contractor may seek to add. The contractor may not add additional or different terms to this contract; AS 45.02.207(b)(1). The contractor specifically acknowledges and agrees that, among other things, provisions in any documents it sees to append hereto that purport to (1) waive the State of Alaska's sovereign immunity, (2) impose indemnification obligations on the State of Alaska, or (3) seek to limit liability of the contractor for acts of contractor negligence, are expressly superseded by this contract and are void.

11. Officials Not to Benefit:

Contractor must comply with all applicable federal or State laws regulating ethical conduct of public officers and employees.

12. Contract Prices:

Contract prices for commodities must be in U.S. funds and include applicable federal duty, brokerage fees, packaging, and transportation cost to the FOB point so that upon transfer of title the commodity can be utilized without further cost. Prices for services must be in U.S. funds and include applicable federal duty, brokerage fee, packaging, and transportation cost so that the services can be provided without further cost.

13. Contract Funding:

Contractors are advised that funds are available for the initial purchase and/or the first term of the contract. Payment and performance obligations for succeeding purchases and/or additional terms of the contract are subject to the availability and appropriation of funds.

14. Force Majeure:

The parties to this contract are not liable for the consequences of any failure to perform, or default in performing, any of their obligations under this Agreement, if that failure or default is caused by any unforeseeable Force Majeure, beyond the control of, and without the fault or negligence of, the respective party. For the purposes of this Agreement, Force Majeure will mean war (whether declared or not); revolution; invasion; insurrection; riot; civil commotion; sabotage; military or usurped power; lightning; explosion; fire; storm; drought; flood; earthquake; epidemic; quarantine; strikes; acts or restraints of governmental authorities affecting the project or directly or indirectly prohibiting or restricting the

furnishing or use of materials or labor required; inability to secure materials, machinery, equipment or labor because of priority, allocation or other regulations of any governmental authorities.

15. Contract Extension:

Unless otherwise provided, the State and the contractor agree: (1) that any holding over of the contract excluding any exercised renewal options, will be considered as a month-to-month extension, and all other terms and conditions shall remain in full force and effect, and (2) to provide written notice to the other party of the intent to cancel such month-to-month extension at least thirty (30) days before the desired date of cancellation.

16. Severability:

If any provision of the contract is declared by a court to be illegal or in conflict with any law, the validity of the remaining terms and provisions will not be affected; and the rights and obligations of the parties will be construed and enforced as if the contract did not contain the particular provision held to be invalid.

17. Continuing Obligation of Contractor:

Notwithstanding the expiration date of this contract, the contractor is obligated to fulfill its responsibilities until warranty, guarantee, maintenance, and parts availability requirements have completely expired.

18. Termination.

- a. The Procurement Officer, by written notice, may terminate this contract, in whole or in part, when it is in the best interest of the State. In the absence of breach of contract by the contractor, the State is liable only for payment in accordance with the payment provisions of this contract for services rendered before the effective date of termination.
- b. The Procurement Officer may also, by written notice, terminate this contract under Administrative Order 352 if the contractor supports or participates in a boycott of the State of Israel.

19. Governing Law; Forum Selection

This contract is governed by the laws of the State of Alaska. To the extent not otherwise governed by Article 3 of this Appendix, any claim concerning this contract shall be brought only in the Superior Court of the State of Alaska and not elsewhere.

Appendix F
**Certification Regarding Debarment, Suspension, Ineligibility
and Voluntary Exclusion Lower Tier Covered Transactions**

This certification is required by the regulations implementing Executive Order 12549, Debarment and Suspension, 29 CFR Part 98, Section 98.510, Participant's responsibilities. The regulations were published as Part VII of the May 26, 1988 Federal Register (pages 19160-19211).

**Before completing certification, read the instructions on the following page,
which are an integral part of the certification**

1. The prospective recipient of Federal assistance funds certifies, by submission of this bid, that neither it nor its principals are presently debarred, suspended, proposed for debarment, declared ineligible, or voluntarily excluded from participation in this transaction by any Federal department or agency.

2. Where the prospective recipient of Federal assistance funds is unable to certify to any of the Statements in this certification, such prospective participant shall attach an explanation to this Proposal.

Name and Title of Authorized Representative

Signature

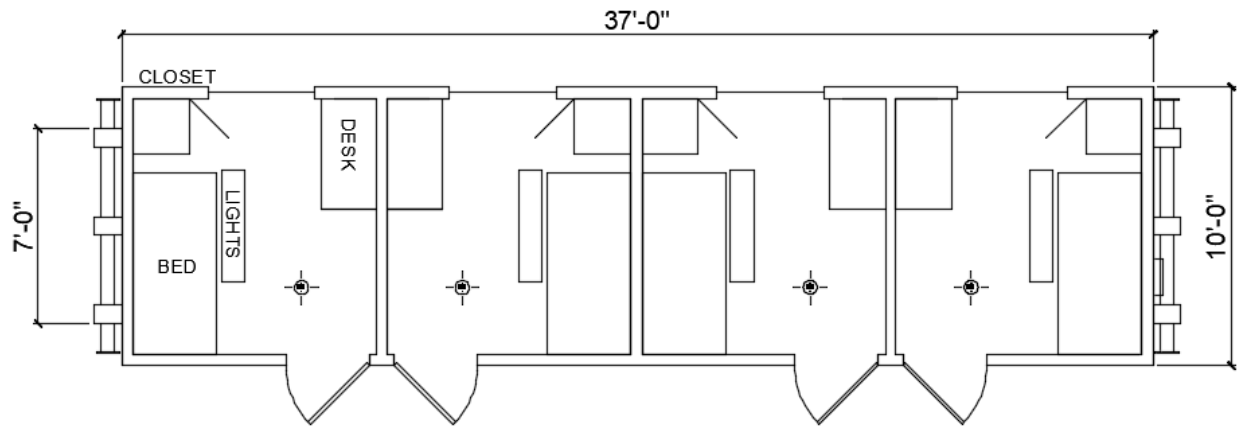
Date

Instructions for Certification

1. By signing and submitting this Proposal, the prospective recipient of Federal assistance funds is providing the certification as set out below.
2. The certification in this class is a material representation of fact upon which reliance was placed when this transaction was entered into. If it is later determined that the prospective recipient of Federal assistance funds knowingly rendered an erroneous certification, in addition to other remedies available to the Federal Government, the Department of Labor (DOL) may pursue available remedies, including suspension and/or debarment.
3. The prospective recipient of Federal assistance funds shall provide immediate written notice to the person to whom this Proposal is submitted if at any time the prospective recipient of Federal assistance funds learns that its certification was erroneous when submitted or has become erroneous by reason of changed circumstances.
4. The terms "covered transaction," "debarred," "suspended," "ineligible," "lower tier covered transaction," "participant," "person," "primary covered transaction," "principal," "Proposal," and "voluntarily excluded," as used in this clause, have the meanings set out in the Definitions and Coverage sections of rules implementing Executive Order 12549. You may contact the person to which this Proposal is submitted for assistance in obtaining a copy of those regulations.
5. The prospective recipient of Federal assistance funds agrees by submitting this Proposal that, should the proposed covered transaction be entered into, it shall not knowingly enter into any lower tier covered transaction with a person who is debarred, suspended, declared ineligible, or voluntarily excluded from participation in this covered transaction, unless authorized by the DOL.
6. The prospective recipient of Federal assistance funds further agrees by submitting this Proposal that it will include the clause titled "Certification Regarding Debarment, Suspension, Ineligibility and Voluntary Exclusion - Lower Tier Covered Transactions," without modification, in all lower tier covered transactions and in all solicitations for lower tier covered transactions.
7. A participant in a covered transaction may rely upon a certification of a prospective participant in a lower tier covered transaction that it is not debarred, suspended, ineligible, or voluntarily excluded from the covered transaction, unless it knows that the certification is erroneous.
A participant may decide the method and frequency by which it determines the eligibility of its principals. Each participant may but is not required to check the List of Parties Excluded from Procurement or Non-procurement Programs.
8. Nothing contained in the foregoing shall be construed to require establishment of a system of records in order to render in good faith the certification required by this clause. The knowledge and information of a participant is not required to exceed that which is normally possessed by a prudent person in the ordinary course of business dealings.
9. Except for transactions authorized under paragraph 5 of these instructions, if a participant in a covered transaction knowingly enters into a lower tier covered transaction with a person who is suspended, debarred, ineligible, or voluntarily excluded from participation in this transaction, in addition to other remedies available to the Federal Government, the DOL may pursue available remedies, including suspension and/or debarment.

Project Description: 10'x37' Four Room Sleeper Module

10'x37' Four Room Sleeper Module:



Construction Details:

- Oilfield Steel Skid: see appendix for representative design details
 - W10x33 Continuous Rails (2x)
 - W6x20 cross members every 10'
 - 6" Schedule 80 Tow Pipe (2x)
 - 4"x4"x1/4" Angle iron chain catches every 10'
- Floor Construction: exterior to interior
 - 3/8" CDX sheathing under floor
 - 2"x 8" on 16" centers
 - 7" Enveloseal 2.0 polyurethane spray foam or equivalent (R44)
 - 3/4" T&G Plywood, mudded and sanded
 - Commercial carpet squares – (grey)
 - 4" black rubber base trim (glued and stapled)
- Exterior Wall Construction: exterior to interior
 - 29 Gauge 5 rib pro panel metal siding (white w/black top and bottom trim)
 - 3/8" CDX sheathing
 - 2"x 6" on 16" center
 - 4" Enveloseal 2.0 polyurethane spray foam or equivalent (R25)
 - 6 mil vapor barrier
 - 5/8" X type white gypsum with H channel dividers, ceiling primed and painted white (Sherwin Williams Super paint or equal)

- Ceiling / Roof Construction: exterior to interior
 - .045" EPDM rubber roofing (Firestone or equal) finished with aluminum termination bar
 - ½" CDX plywood decking
 - Tapered 2"x 10" on 16" center (taper such that water runs away from man doors)
 - 9" Enveloseal 2.0 polyurethane spray foam or equivalent (R55)
 - 6 mil vapor barrier
 - 1/2" white gypsum with H channel dividers, ceiling primed and painted white (Sherwin Williams Super paint or equal)
- Exterior Doors:
 - 36"x80" Insulated steel door with wood frame
 - Custom 26 gauge custom galvalume threshold
 - Drip edge over door
 - Schalge (or equal) passage lock
- Windows:
 - 48"x48" PlyGem Pro Series 200 Triple Pane Egress Slider windows with screens
 - Drip edge over window
 - Interior blackout blinds
- NEC Approved Electrical System
 - Electrical Service:
 - 100A Single phase 120/240v exterior rated (3R) Load Center w/main breaker
 - Lighting:
 - 4' Lithonia LBL4 LED fixtures (bedrooms)
 - 2' LED fixture (arctic entry)
 - Heat: 4000W electric wall mount heater with thermostat
 - Outlets: Commercial grade 120V/20A ARC flash duplex receptacles (per code)
 - Smoke/CO2 detectors (per code)
 - XHHW wiring in surface mounted conduit
- Furniture / Accessories:
 - 20"x24"x72" Metal Closet (one per room)
 - 24"x48" Desk w/ desk chair (one per room)
 - Underbed storage bins (one per room)
 - Twin XL size Bunk Bed (one per room)
 - Twin XL size Mattress (comfort Tech 10" Serene Foam II, Costco or equivalent) – qty 4
 - Sheets, blanket, pillows (one set per mattress)
- OSHA complaint 3 step EZ Access Fortress aluminum adjustable stair sets (one per exterior door)

- **Stamped engineering drawings:**

- Electrical
- Architectural
- Structural

APPENDIX:

SKID DESIGN:

BLM 10' X 39" SKID

