

TIDAL LEVELS	
HIGH TIDE LINE (HTL)	+13.40 FT
MEAN HIGHER WATER (MHW)	+7.77 FT
MEAN LOWER LOW WATER (MLLW)	+0.00 FT

PROPOSED ACTIVITY:
 TO REPLACE EXISTING FLOATS,
 PILES, PLANKS, APRON,
 REVETMENT, AND PROVIDE FISH
 CLEANING STATION
 DATUM: MLLW 0'
 SEC. 32 T.27S R19W SEW.
 LAT: 57.786737
 LONG: -152.407937

VICINITY MAP

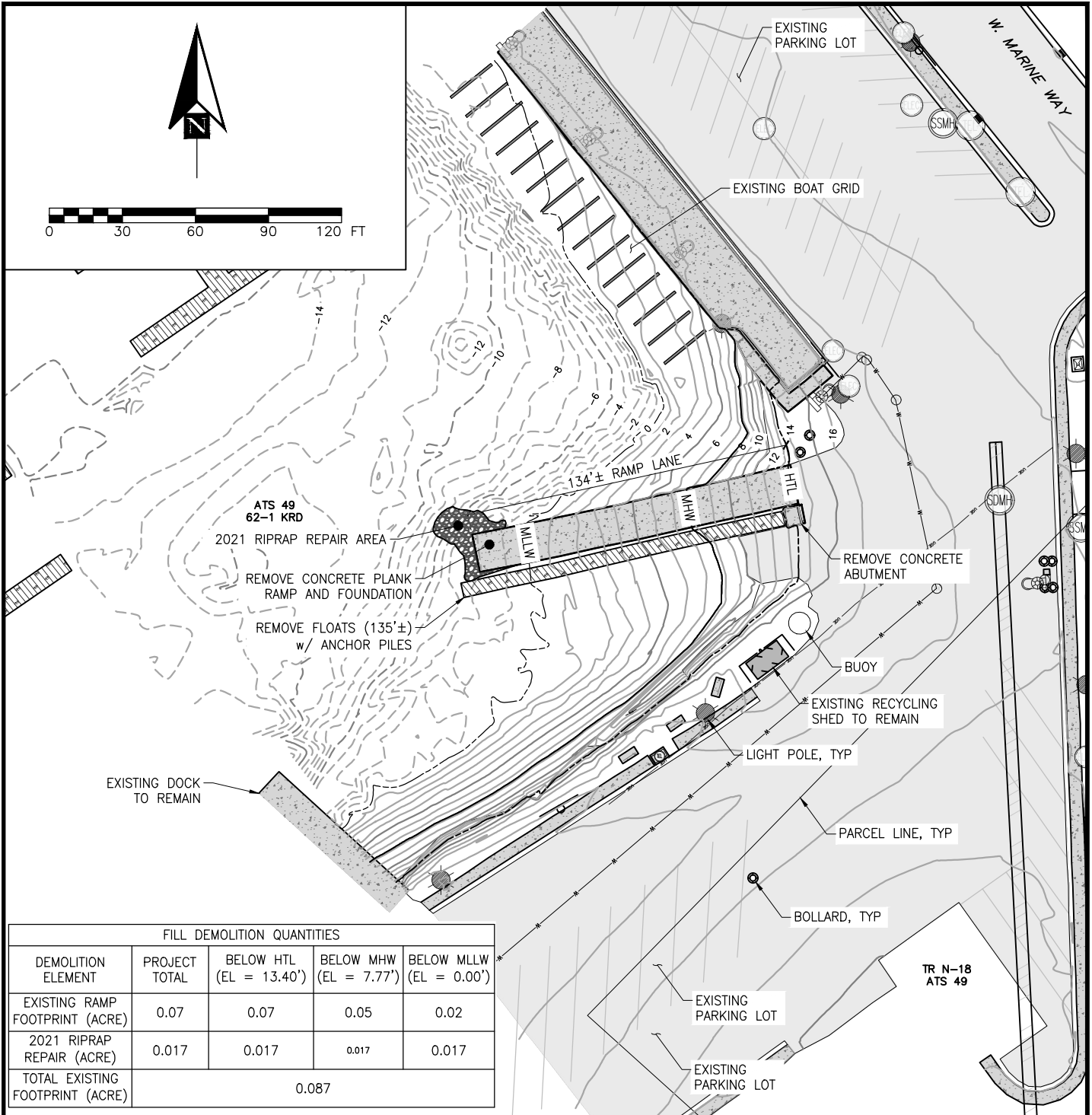
CITY OF KODIAK
 403 MARINE WAY
 KODIAK, AK 99615

**CITY OF KODIAK
 ST PAUL HARBOR LAUNCH RAMP
 RENOVATION**

POA-1971-00044

IN: ST PAUL HARBOR
 BY: CITY OF KODIAK, AK

DEC 11, 2024 SHEET **1** of **6**



FILL DEMOLITION QUANTITIES				
DEMOLITION ELEMENT	PROJECT TOTAL	BELOW HTL (EL = 13.40')	BELOW MHW (EL = 7.77')	BELOW MLLW (EL = 0.00')
EXISTING RAMP FOOTPRINT (ACRE)	0.07	0.07	0.05	0.02
2021 RIPRAP REPAIR (ACRE)	0.017	0.017	0.017	0.017
TOTAL EXISTING FOOTPRINT (ACRE)		0.087		

PROPOSED ACTIVITY:
TO REPLACE EXISTING FLOATS,
PILES, PLANKS, APRON,
REVTMENT, AND PROVIDE FISH
CLEANING STATION

DATUM: MLLW 0'

SEC. 32 T.27S R19W SEW.
LAT: 57.786737
LONG: -152.407937

EXISTING SITE PLAN

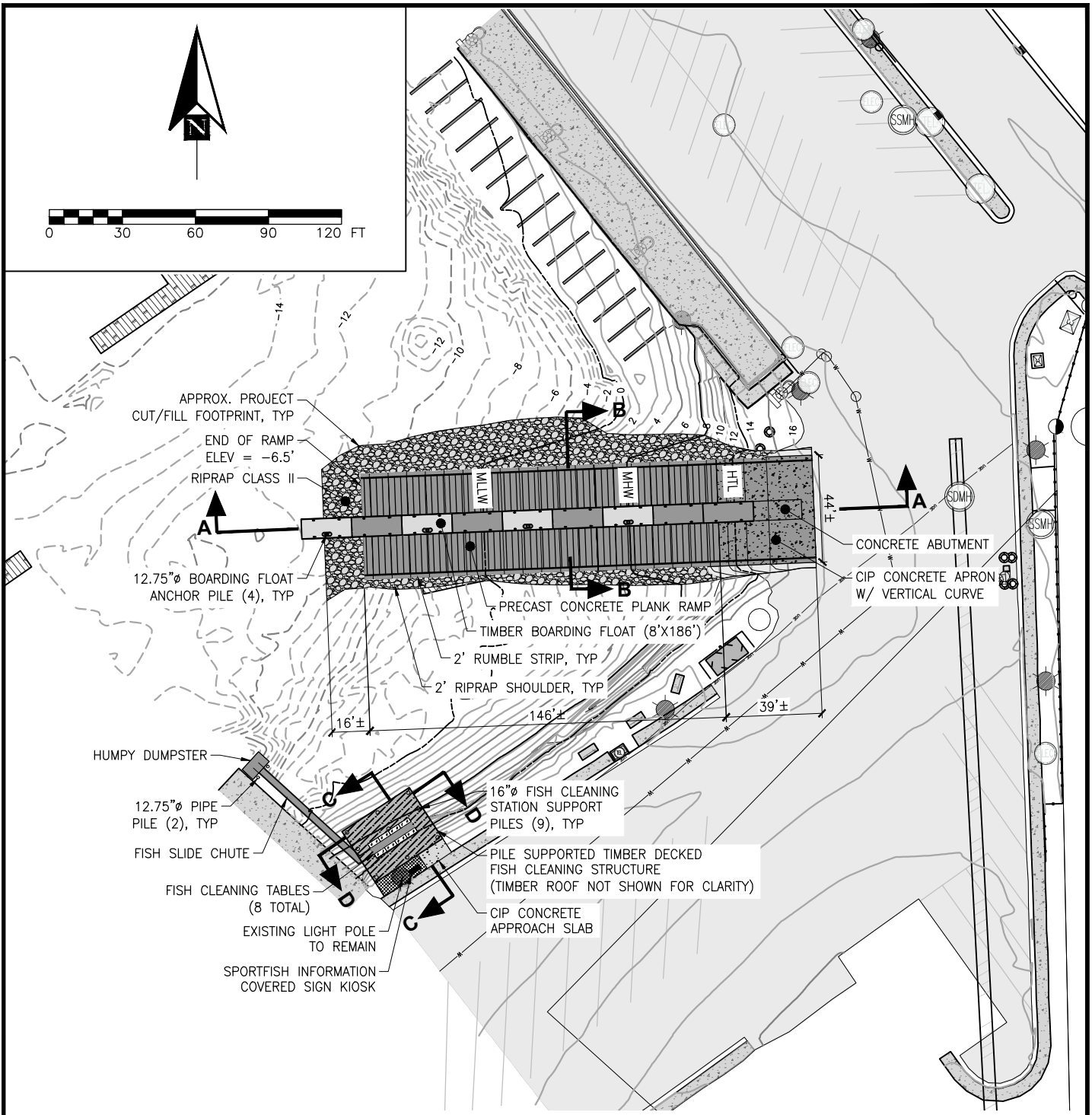
CITY OF KODIAK
403 MARINE WAY
KODIAK, AK 99615

CITY OF KODIAK ST PAUL HARBOR LAUNCH RAMP RENOVATION

POA-1971-00044

IN: ST PAUL HARBOR
BY: CITY OF KODIAK, AK

DEC 11, 2024 SHEET **2** of **6**



PROPOSED ACTIVITY:
 TO REPLACE EXISTING FLOATS,
 PILES, PLANKS, APRON,
 REVETMENT, AND PROVIDE FISH
 CLEANING STATION

DATUM: MLLW 0'

SEC. 32 T.27S R19W SEW.
 LAT: 57.786737
 LONG: -152.407937

NEW SITE PLAN

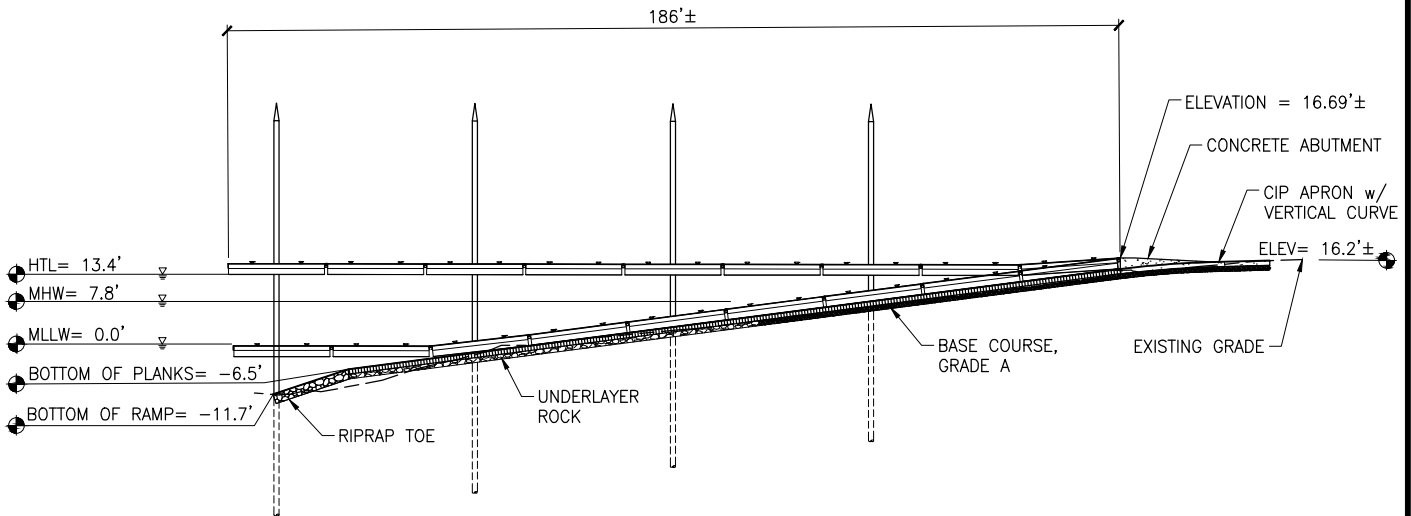
CITY OF KODIAK
 403 MARINE WAY
 KODIAK, AK 99615

**CITY OF KODIAK
 ST PAUL HARBOR LAUNCH RAMP
 RENOVATION**

POA-1971-00044

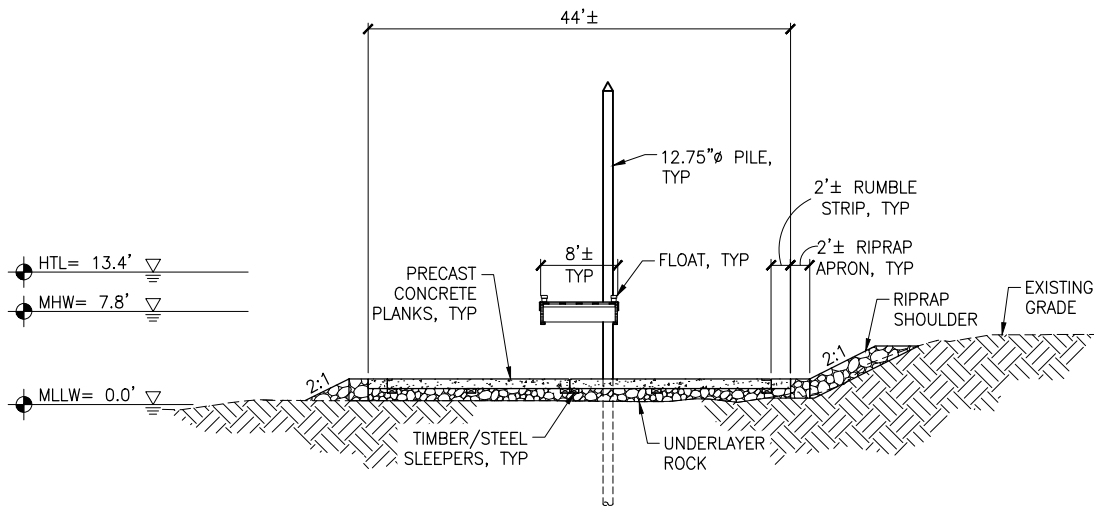
IN: ST PAUL HARBOR
 BY: CITY OF KODIAK, AK

DEC 11, 2024 SHEET **3** of **6**



LAUNCH RAMP SECTION A-A

1H:1V



LAUNCH RAMP SECTION B-B

NTS

PROPOSED ACTIVITY:
TO REPLACE EXISTING FLOATS,
PILES, PLANKS, APRON,
REVETMENT, AND PROVIDE FISH
CLEANING STATION

DATUM: MLLW 0'

SEC. 32 T.27S R19W SEW.

LAT: 57.786737

LONG: -152.407937

**LAUNCH RAMP
SECTIONS**

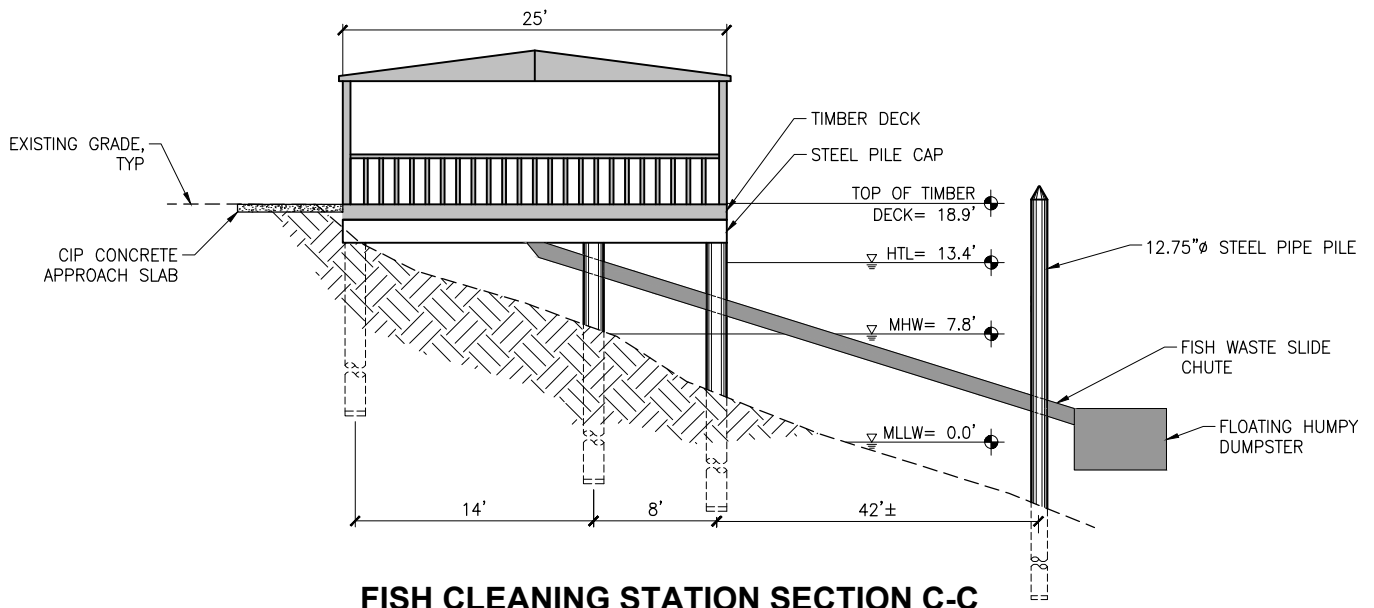
CITY OF KODIAK
403 MARINE WAY
KODIAK, AK 99615

**CITY OF KODIAK
ST PAUL HARBOR LAUNCH RAMP
RENOVATION**

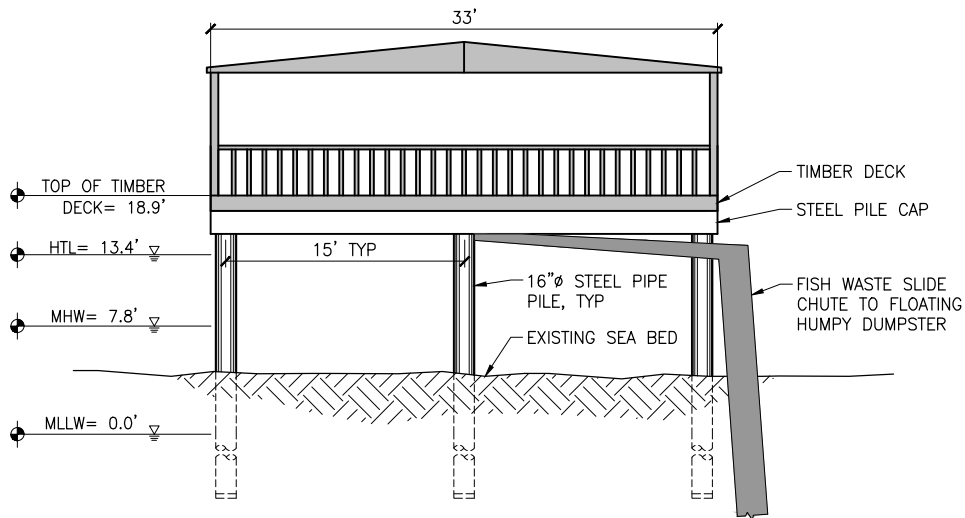
POA-1971-00044

IN: ST PAUL HARBOR
BY: CITY OF KODIAK, AK

DEC 11, 2024 SHEET **4** of **6**



FISH CLEANING STATION SECTION C-C
NTS



FISH CLEANING STATION SECTION D-D
NTS

PROPOSED ACTIVITY:
TO REPLACE EXISTING FLOATS,
PILES, PLANKS, APRON,
REVTMENT, AND PROVIDE FISH
CLEANING STATION

DATUM: MLLW 0'

SEC. 32 T.27S R19W SEW.

LAT: 57.786737

LONG: -152.407937

FISH CLEANING STATION SECTIONS

CITY OF KODIAK
403 MARINE WAY
KODIAK, AK 99615

CITY OF KODIAK ST PAUL HARBOR LAUNCH RAMP RENOVATION

POA-1971-00044

IN: ST PAUL HARBOR
BY: CITY OF KODIAK, AK

DEC 11, 2024 SHEET **5** of **6**

STRUCTURAL DEMOLITION QUANTITIES				
	PROJECT TOTAL	BELOW HTL (EL = 13.40')	BELOW MHW (EL = 7.77')	BELOW MLLW (EL = 0.00')
CONCRETE RAMP PLANK (SF)	2,144	2,144	1,414	334
TIMBER FLOAT (SF)	806	806	618	170
CONCRETE ABUTMENT (EACH)	1	0	0	0
ROUND 12.75" STEEL PILES (EACH)	3	3	2	1
ROUND 12.75" TIMBER PILE (EACH)	1	1	0	0

NEW FILL AND EXCAVATION FOOTPRINT				
	PROJECT TOTAL	BELOW HTL (EL = 13.40')	BELOW MHW (EL = 7.77')	BELOW MLLW (EL = 0.00')
NEW LAUNCH RAMP FOOTPRINT (ACRE)	0.31	0.27	0.21	0.11

NEW FILL AND EXCAVATION QUANTITIES				
	PROJECT TOTAL	BELOW HTL (EL = 13.40')	BELOW MHW (EL = 7.77')	BELOW MLLW (EL = 0.00')
EXCAVATION (CY)	354	280	234	144
GRANULAR FILL (CY)	238	238	222	146
UNDERLAYER ROCK (CY)	166	166	166	94
BASE COURSE GRADING A (CY)	183	122	40	0
BASE COURSE GRADING D-1 (CY)	25	5	0	0
RIPRAP (CY)	281	278	245	170
APRON/ABUTMENT CAST-IN-PLACE CONCRETE (CY)	57	9	0	0
PRECAST CONCRETE PLANKS (SF)	159	106	35	0
RAMP CONCRETE PLANKS (CY)	239	239	179	82
TIMBER BOARDING FLOATS (SF)	1548	1465	1110	631

NEW STRUCTURES AND PILES DRIVEN IN TIDAL WATERS						
PILE TYPE AND LOCATION	CONSTRUCTION METHOD	PROJECT TOTAL	UPLAND	BELOW HTL (EL = 13.40')	BELOW MHW (EL = 7.77')	BELOW MLLW (EL = 0.00')
FISH CLEANING STATION FOOTPRINT (ACRE)		0.03	N/A	0.02	0.01	0.00
STEEL 12.75" ROUND PILE (LAUNCH RAMP)	VIBRATORY & IMPACT	4	0	4	3	2
STEEL 12.75" ROUND PILE (FISH CLEANING STATION)	VIBRATORY & IMPACT	2	0	2	2	2
STEEL 16" ROUND PILE (FISH CLEANING STATION)	VIBRATORY & IMPACT	9	3	6	4	0
STEEL 18" TEMPORARY TEMPLATE PILE (FISH CLEANING STATION)	VIBRATORY	18	6	12	8	0

PROPOSED ACTIVITY:
TO REPLACE EXISTING FLOATS,
PILES, PLANKS, APRON,
REVTMENT, AND PROVIDE FISH
CLEANING STATION

DATUM: MLLW 0'

SEC. 32 T.27S R19W SEW.

LAT: 57.786737

LONG: -152.407937

QUANTITIES

CITY OF KODIAK
403 MARINE WAY
KODIAK, AK 99615

CITY OF KODIAK ST PAUL HARBOR LAUNCH RAMP RENOVATION

POA-1971-00044

IN: ST PAUL HARBOR
BY: CITY OF KODIAK, AK

DEC 11, 2024 SHEET **6** of **6**