

Alaska Department of Military and Veterans Affairs  
Division of Administrative Services

Invitation for Quotes # 09-005-25

Repair Parachute Hoist Switches

Addendum 3

Date of Issue: April 18, 2025

Addendum 3 is being issued to answer questions from interested offerors. This Addendum 3 is hereby made part of the IFQ and is a total of 6 pages.

Issued by:

Jannah Cayetano

Procurement Officer

Email: [MvaDasProcurement@alaska.gov](mailto:MvaDasProcurement@alaska.gov)

Phone: 907-428-7222

**Questions submitted by potential offerors and answers from the state:**

**Question 1:** Are we permitted to replace all of the machines at once, or must some remain operational throughout the replacement process?

**Answer:** We'll need to keep at least half of the system up and running while the replacements are happening.

---

**Question 2:** Do you happen to have schematic drawings of the equipment available?

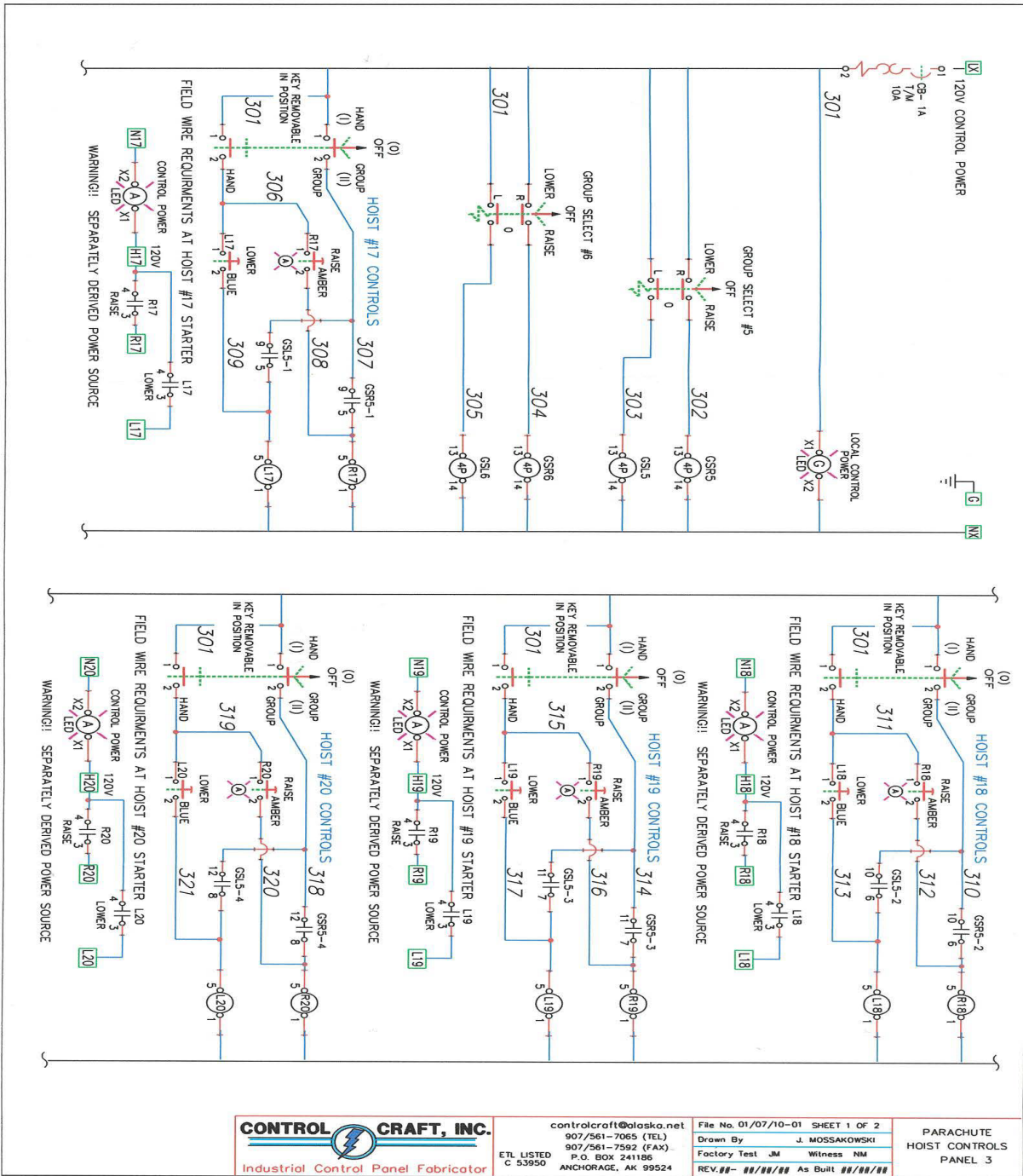
**Answer:** Yes, these attachments are incorporated as part of this Addendum. Please refer to pages 3–6 for the relevant information

---

**Question 3:** Would it be acceptable to stage our equipment on site during the project?

**Answer:** Yes, you're welcome to use the space necessary for staging your equipment on site.

---



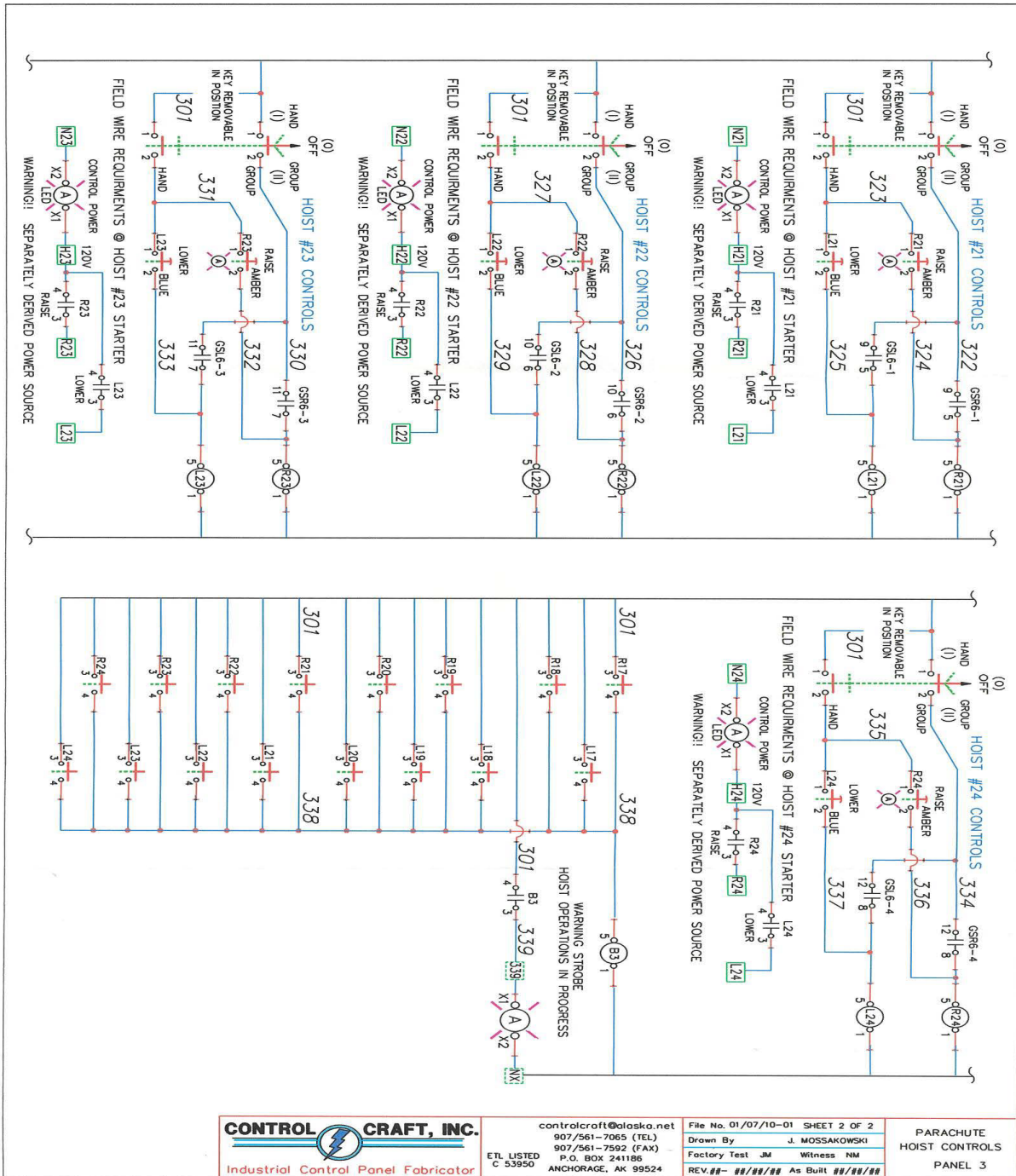
**CONTROL CRAFT, INC.**  
 Industrial Control Panel Fabricator

controlcraft@alaska.net  
 907/561-7065 (TEL)  
 907/561-7592 (FAX)  
 P.O. BOX 241186  
 ANCHORAGE, AK 99524

File No. 01/07/10-01 SHEET 1 OF 2  
 Drawn By J. MOSSAKOWSKI  
 Factory Test JM Witness NM  
 REV. ##-##/##/## As Built ##/##/##

PARACHUTE  
 HOIST CONTROLS  
 PANEL 3

Joe Mossakowski, Control Craft 9/9/2009 2:17 PM Eielson Parachute1.dwg



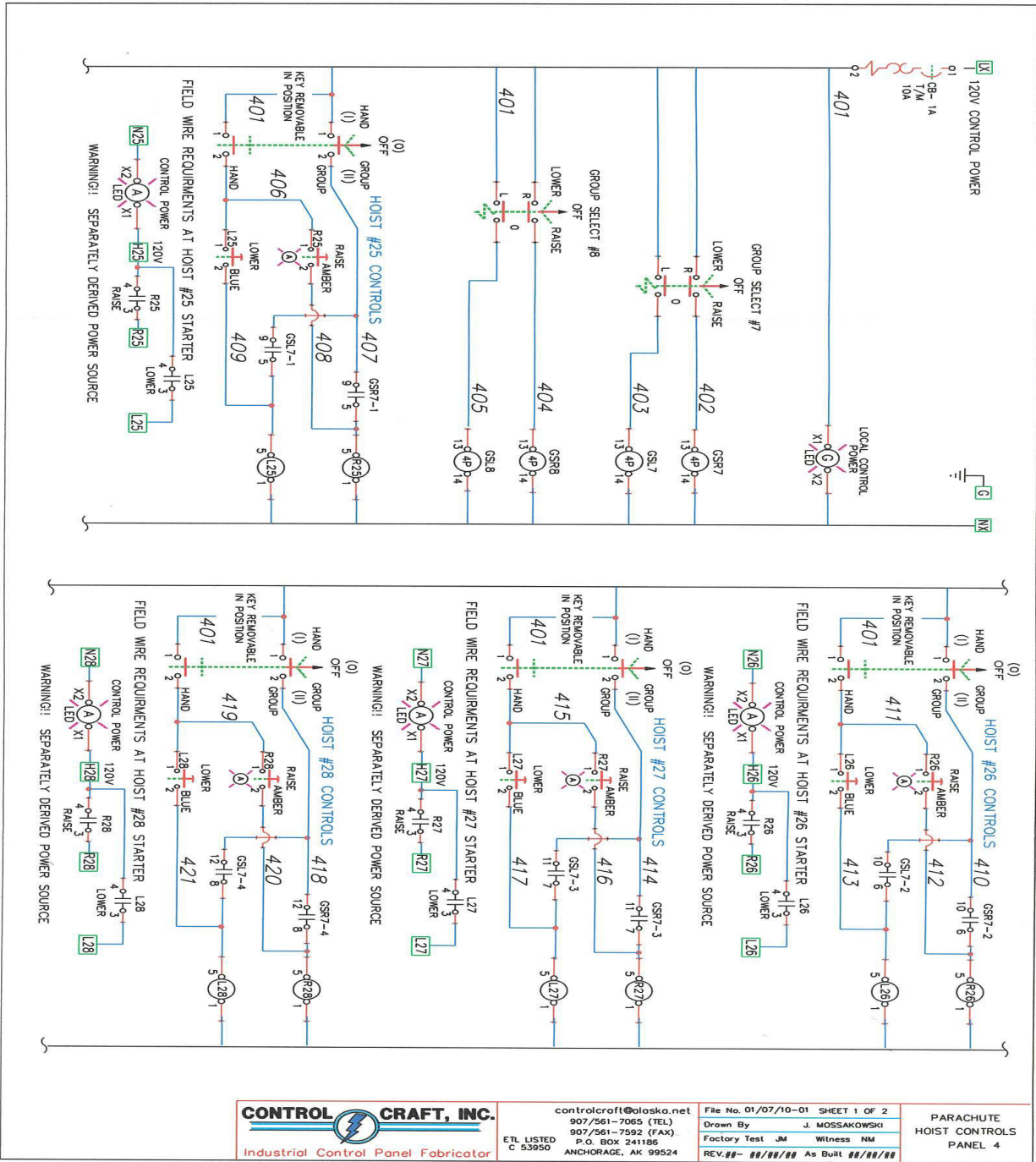
**CONTROL CRAFT, INC.**  
Industrial Control Panel Fabricator

controlcraft@alaska.net  
907/561-7065 (TEL)  
907/561-7592 (FAX)  
P.O. BOX 241186  
ANCHORAGE, AK 99524

File No. 01/07/10-01 SHEET 2 OF 2  
Drawn By J. MOSSAKOWSKI  
Factory Test JM Witness NM  
REV. ##-##/##/## As Built ##/##/##

PARACHUTE  
HOIST CONTROLS  
PANEL 3

Joe Mossakowski, Control Craft 9/9/2009 1:41 PM Eielson Parachute2.dwg



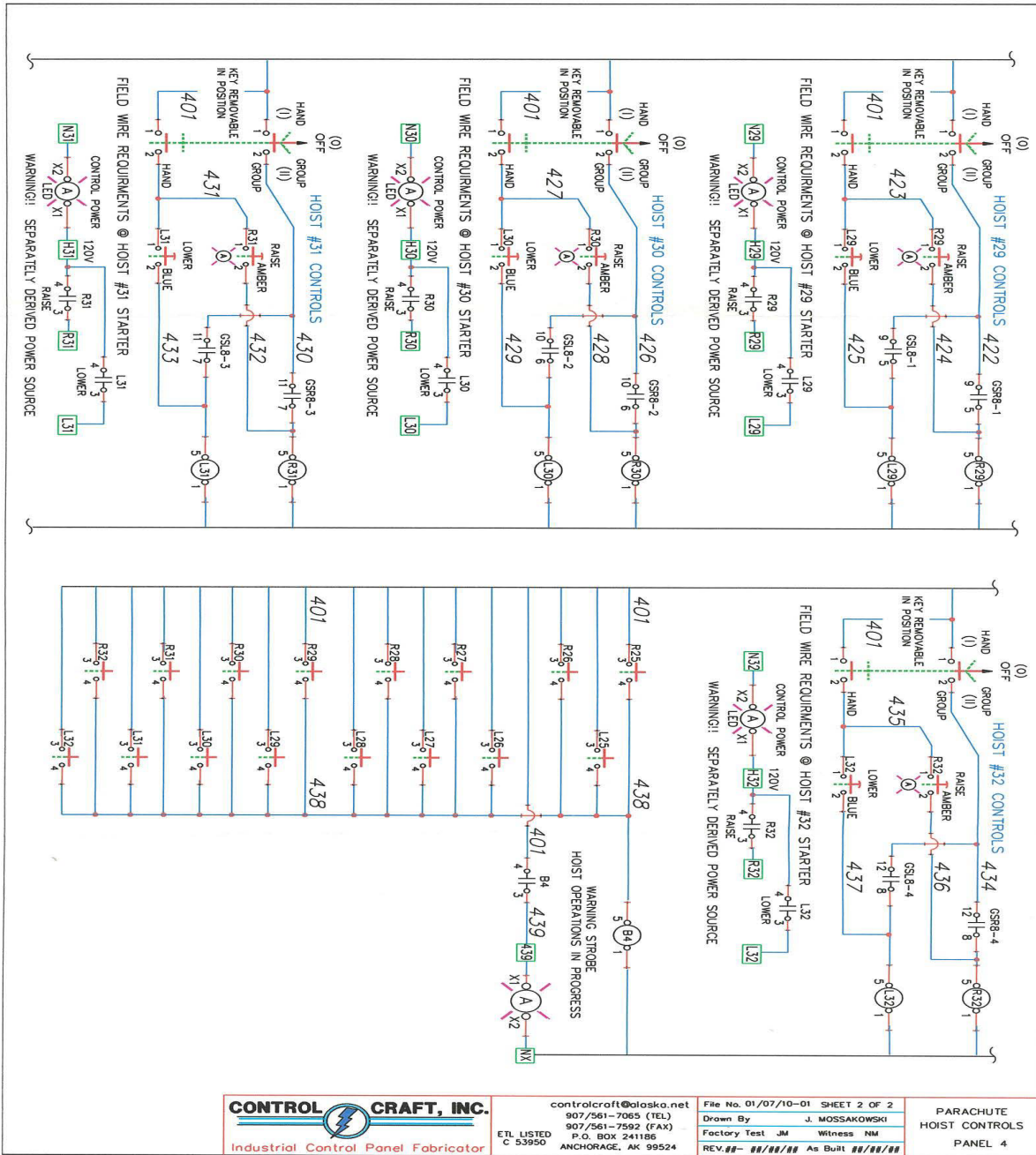
**CONTROL CRAFT, INC.**  
 Industrial Control Panel Fabricator

controlcraft@alaska.net  
 907/561-7065 (TEL)  
 907/561-7592 (FAX)  
 P.O. BOX 241186  
 C 53950 ANCHORAGE, AK 99524

File No. 01/07/10-01 SHEET 1 OF 2  
 Drawn By J. MOSSAKOWSKI  
 Factory Test JM Witness NM  
 REV. 00- 00/00/00 As Built 00/00/00

PARACHUTE  
 HOIST CONTROLS  
 PANEL 4

Joe Mossakowski, Control Craft 9/9/2009 2:17 PM Eielson Parachute1.dwg



**CONTROL CRAFT, INC.**  
 Industrial Control Panel Fabricator

controlcraft@alaska.net  
 907/561-7065 (TEL)  
 907/561-7592 (FAX)  
 P.O. BOX 241186  
 ANCHORAGE, AK 99524

File No. 01/07/10-01 SHEET 2 OF 2  
 Drawn By J. MOSSAKOWSKI  
 Factory Test JM Witness NM  
 REV. 00- 00/00/00 As Built 00/00/00

PARACHUTE  
 HOIST CONTROLS  
 PANEL 4

Joe Mossakowski, Control Craft 9/9/2009 1:41 PM Eielson Parachute2.dwg

### End of Addendum 3