

TIDAL DATA - ANCHORAGE, ALASKA (NOAA 9455920)

HIGH TIDE LINE (USACE)	35.2'
MEAN HIGHER HIGH WATER (MHHW)	29.16'
MEAN HIGH WATER (MHW)	28.43'
MEAN SEA LEVEL (MSL)	16.47'
MEAN LOW WATER (MLW)	2.25'
MEAN LOWER LOW WATER (MLLW)	0.00'
EXTREME LOW WATER	-6.39'



1 SITE PLAN
1 SCALE: N.T.S.

PURPOSE:
CONSTRUCT GRAVEL BARGE RAMP

PERMIT: POA-1979-00413

DATUM: M.L.L.W. = 0.0'

ADJACENT PROPERTY OWNERS:
UPLANDS: MAT-SU BOROUGH
OFFSHORE: ADNDR

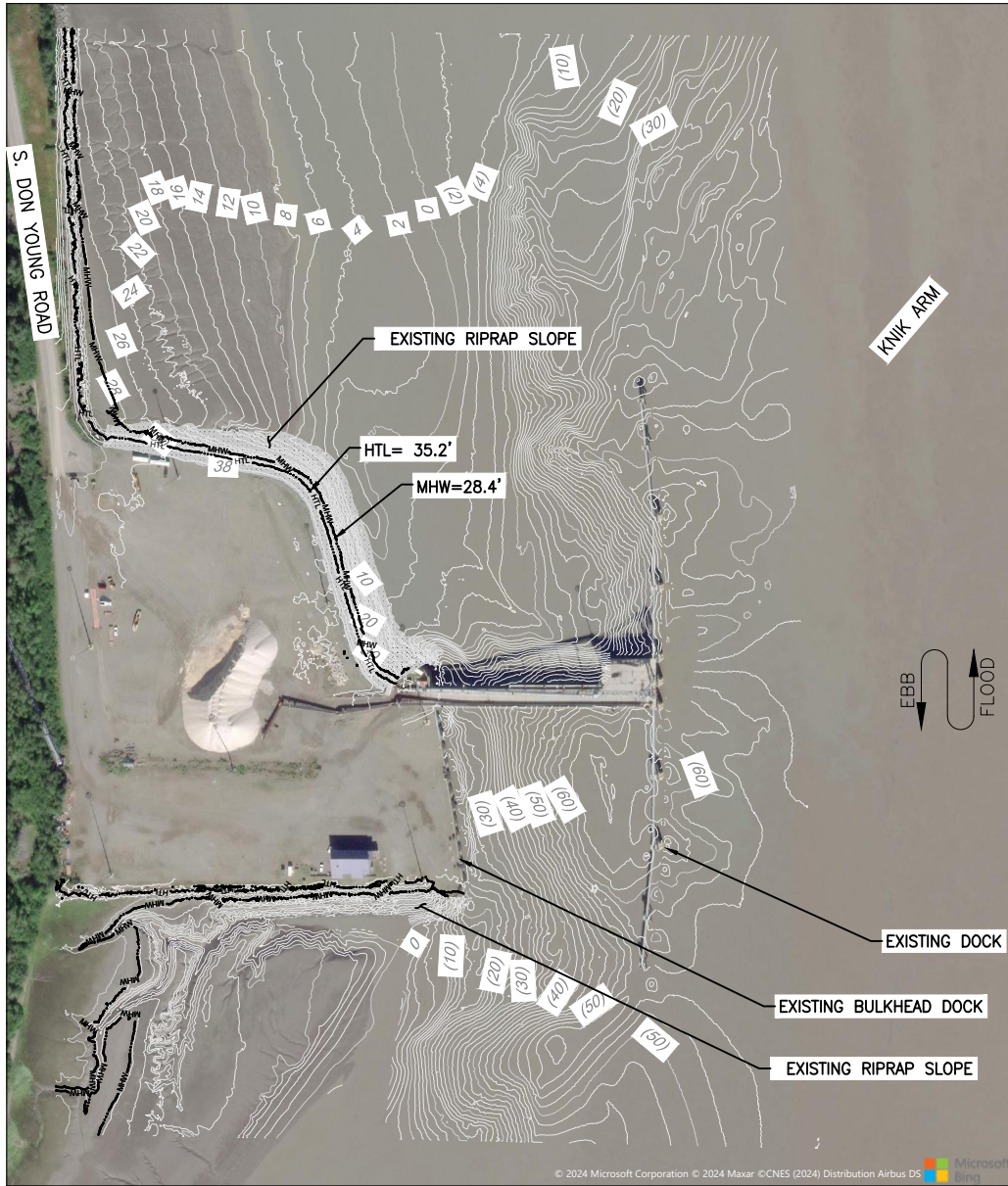
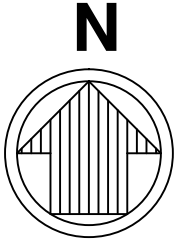
VICINITY MAP

SCALE: NOT TO SCALE

MATANUSKA-SUSITNA BOROUGH
350 E. DAHLIA AVE.
PALMER, ALASKA 99645

PORT MACKENZIE BARGE HAULOUT
SEC. 25 T. 14N R. 4W M. SEWARD
WATERWAY: KNIK ARM
LAT.: 61.26975° LONG.: -149.91896°
APPLICATION BY:
MATANUSKA-SUSITNA BOROUGH
350 E. DAHLIA AVE.
PALMER, ALASKA 99645
SHEET: 1 OF 5 DATE: 03/17/25

C:\Users\ecousen\AppData\Local\Temp\AcPublish_17040\P1 VICM.dwg



\\mme.net\projects\AK\220196-01\20 CADD\Active\Exhibits\USACE Permit Figures\P2 Exist Site.dwg

PURPOSE:
CONSTRUCT GRAVEL BARGE RAMP

PERMIT: POA-1979-00413

DATUM: M.L.L.W. = 0.0'

ADJACENT PROPERTY OWNERS:
UPLANDS: MAT-SU BOROUGH
OFFSHORE: ADNR



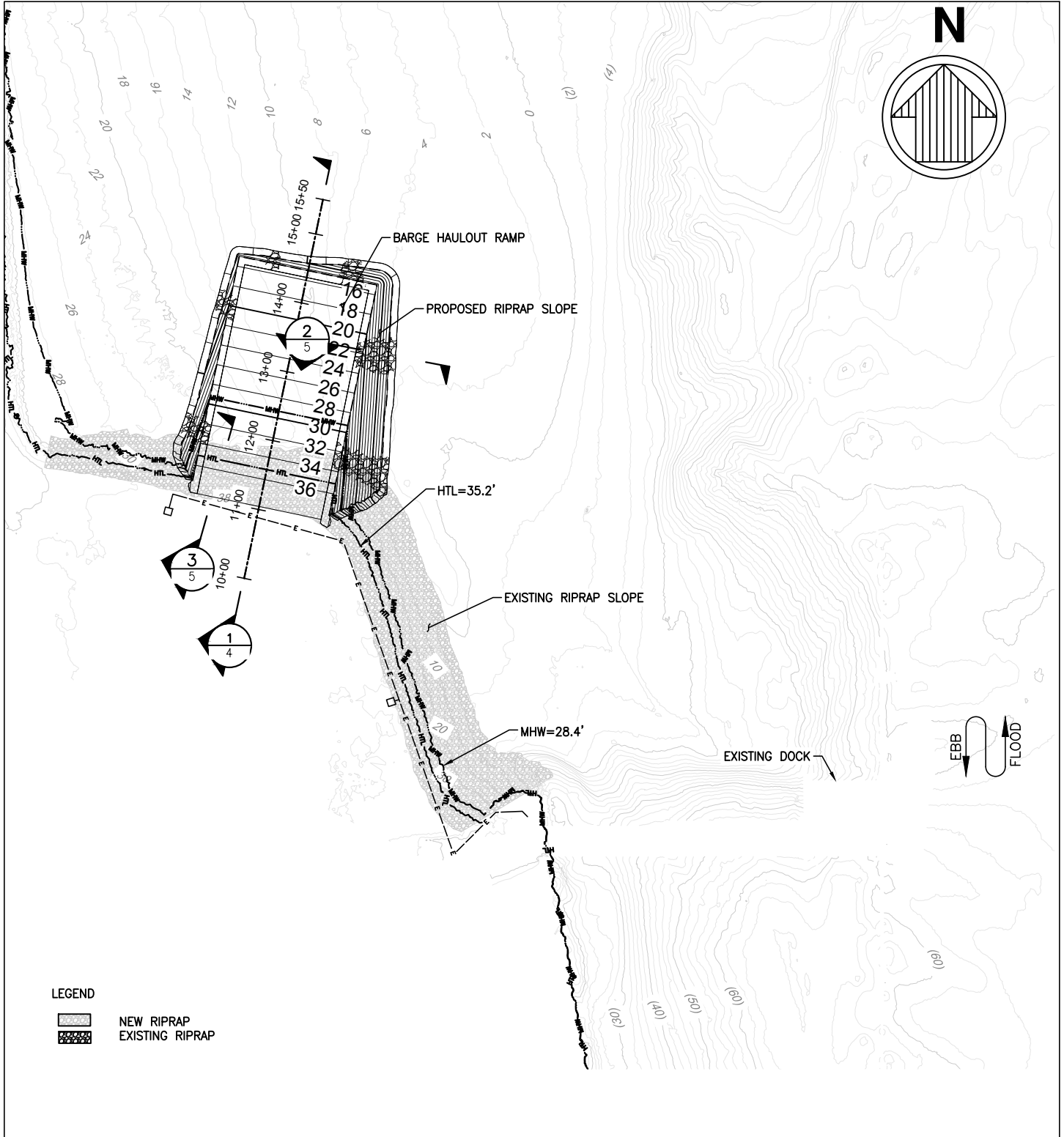
MATANUSKA-SUSITNA BOROUGH
350 E. DAHLIA AVE.
PALMER, ALASKA 99645

PORT MACKENZIE BARGE HAULOUT

SEC. 25 T. 14N R. 4W M. SEWARD
WATERWAY: KNIK ARM
LAT.: 61.26975° LONG.: -149.91896°
APPLICATION BY:

MATANUSKA-SUSITNA BOROUGH
350 E. DAHLIA AVE.
PALMER, ALASKA 99645

SHEET: 2 OF 5 DATE: 03/17/25



\\mne.net\projects\AK\220196-01\20 CADD\Active\Exhibits\USACE Permit Figures\P3 PROPOSED LAOYOUT.dwg.

PURPOSE:
 CONSTRUCT GRAVEL BARGE RAMP

PERMIT: POA-1979-00413

DATUM: M.L.L.W. = 0.0'

ADJACENT PROPERTY OWNERS:
 UPLANDS: MAT-SU BOROUGH
 OFFSHORE: ADNDR

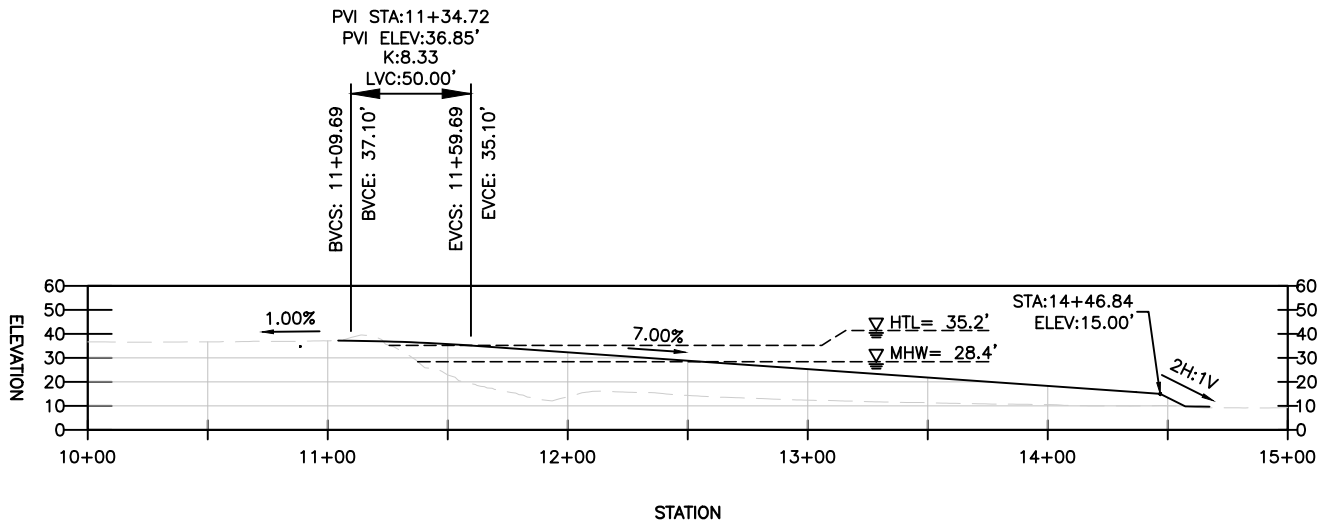
PROPOSED LAYOUT

200 0 200

SCALE: 1" = 200'

MATANUSKA-SUSITNA BOROUGH
 350 E. DAHLIA AVE.
 PALMER, ALASKA 99645

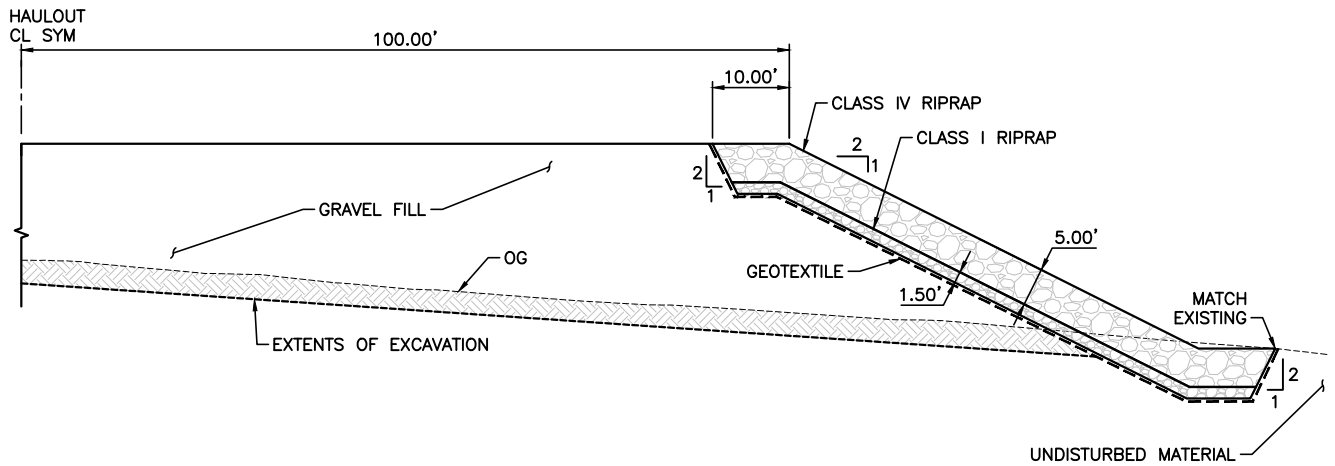
PORT MACKENZIE BARGE HAULOUT
 SEC. 25 T. 14N R. 4W M. SEWARD
 WATERWAY: KNIK ARM
 LAT.: 61.26975° LONG.: -149.91896°
 APPLICATION BY:
MATANUSKA-SUSITNA BOROUGH
 350 E. DAHLIA AVE.
 PALMER, ALASKA 99645
 SHEET: 3 OF 5 DATE: 03/17/25



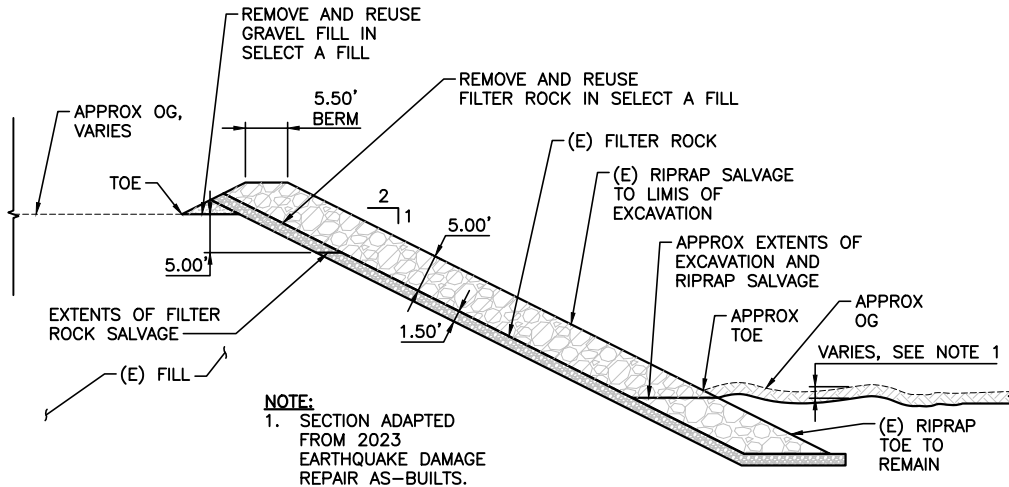
1 SECTION - RAMP PROFILE
3 SCALE: N.T.S.

\\mme.net\projects\AK\220196-01\20 CADD\Active\Exhibits\USACE Permit Figures\P4-Ramp profile.dwg.

<p>PURPOSE: CONSTRUCT GRAVEL BARGE RAMP</p> <p>PERMIT: POA-1979-00413</p> <p>DATUM: M.L.L.W. = 0.0'</p> <p>ADJACENT PROPERTY OWNERS: UPLANDS: MAT-SU BOROUGH OFFSHORE: ADNDR</p>	<p>SECTION - RAMP PROFILE</p> <p>SCALE: NOT TO SCALE</p> <p>MATANUSKA-SUSITNA BOROUGH 350 E. DAHLIA AVE. PALMER, ALASKA 99645</p>	<p>PORT MACKENZIE BARGE HAULOUT SEC. 25 T. 14N R. 4W M. SEWARD WATERWAY: KNIK ARM LAT.: 61.26975° LONG.: -149.91896° APPLICATION BY: MATANUSKA-SUSITNA BOROUGH 350 E. DAHLIA AVE. PALMER, ALASKA 99645 SHEET: 4 OF 5 DATE: 03/17/25</p>
---	--	---



2 SECTION - TYPICAL RAMP SECTION
3 SCALE: N.T.S.



NOTE:
1. SECTION ADAPTED FROM 2023 EARTHQUAKE DAMAGE REPAIR AS-BUILTS.

3 SECTION - TYPICAL EXISTING SECTION
3 SCALE: N.T.S.

PURPOSE:
CONSTRUCT GRAVEL BARGE RAMP

PERMIT: POA-1979-00413

DATUM: M.L.L.W. = 0.0'

ADJACENT PROPERTY OWNERS:
UPLANDS: MAT-SU BOROUGH
OFFSHORE: ADNOR

TYPICAL SECTIONS

SCALE: NOT TO SCALE

MATANUSKA-SUSITNA BOROUGH
350 E. DAHLIA AVE.
PALMER, ALASKA 99645

PORT MACKENZIE BARGE HAULOUT

SEC. 25 T. 14N R. 4W M. SEWARD

WATERWAY: KNIK ARM

LAT.: 61.26975° LONG.: -149.91896°

APPLICATION BY:

MATANUSKA-SUSITNA BOROUGH

350 E. DAHLIA AVE.

PALMER, ALASKA 99645

SHEET: 5 OF 5 DATE: 03/17/25