

TIDAL DATA	
EHW	+15.70'
HAT	+13.93'
MHHW	+10.63'
MHW	+9.71'
MLW	+1.38'
MLLW	0.00'
LAT	-3.53'
ELW	-5.01'

PURPOSE:
SEWARD CRUISE SHIP
DOCK

COVER SHEET

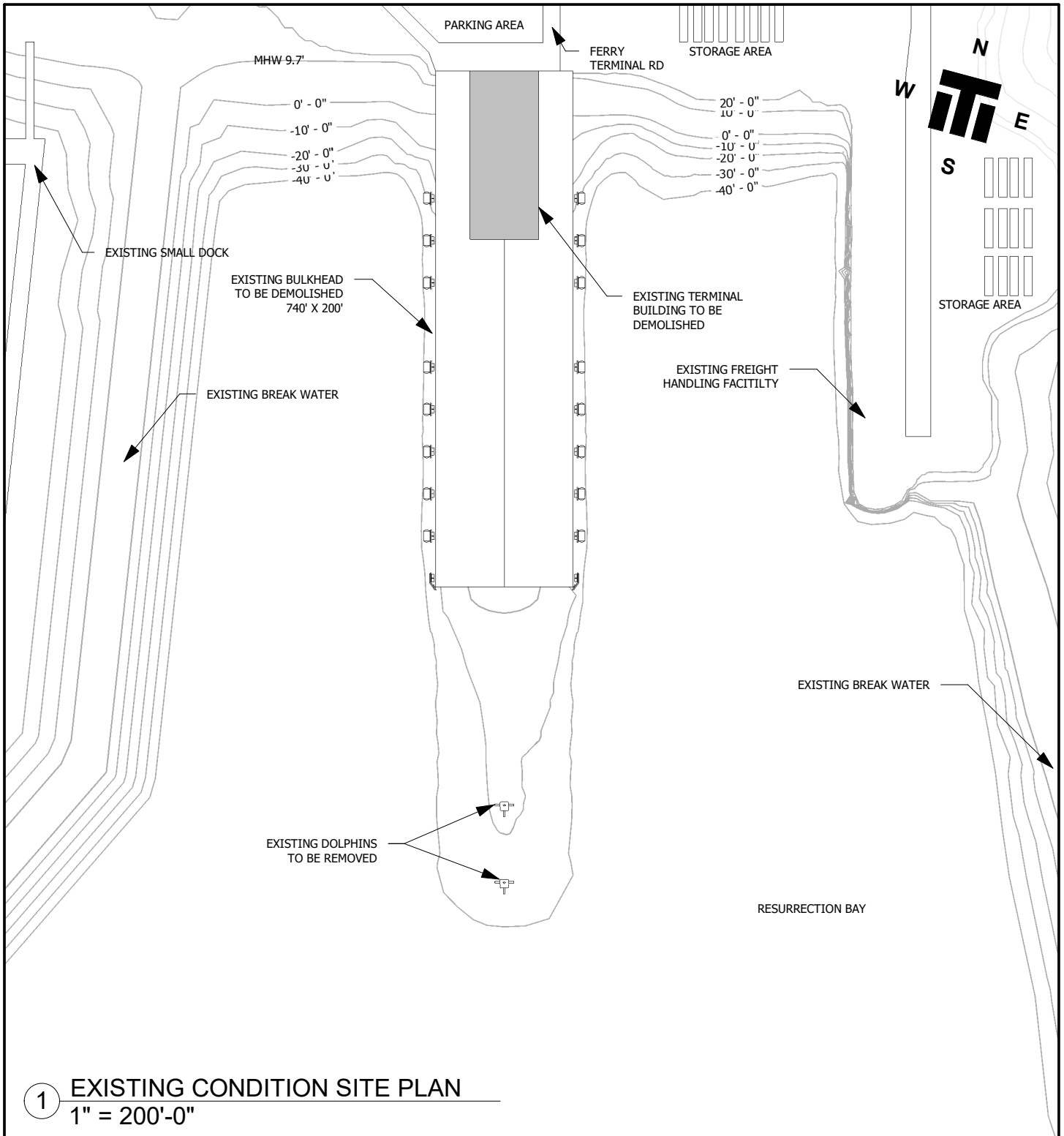
PROPOSED: TURNAGAIN MARINE
AT: SEWARD, ALASKA
WATERWAY: RESURRECTION BAY
APPLICATION BY: TURNAGAIN MARINE

DRAFT

JOB NO. 23-006

DATE: JUN 05, 2024

SHEET: 1



1 EXISTING CONDITION SITE PLAN
 1" = 200'-0"

PURPOSE:
SEWARD CRUISE SHIP DOCK

EXISTING DOCK CONDITON

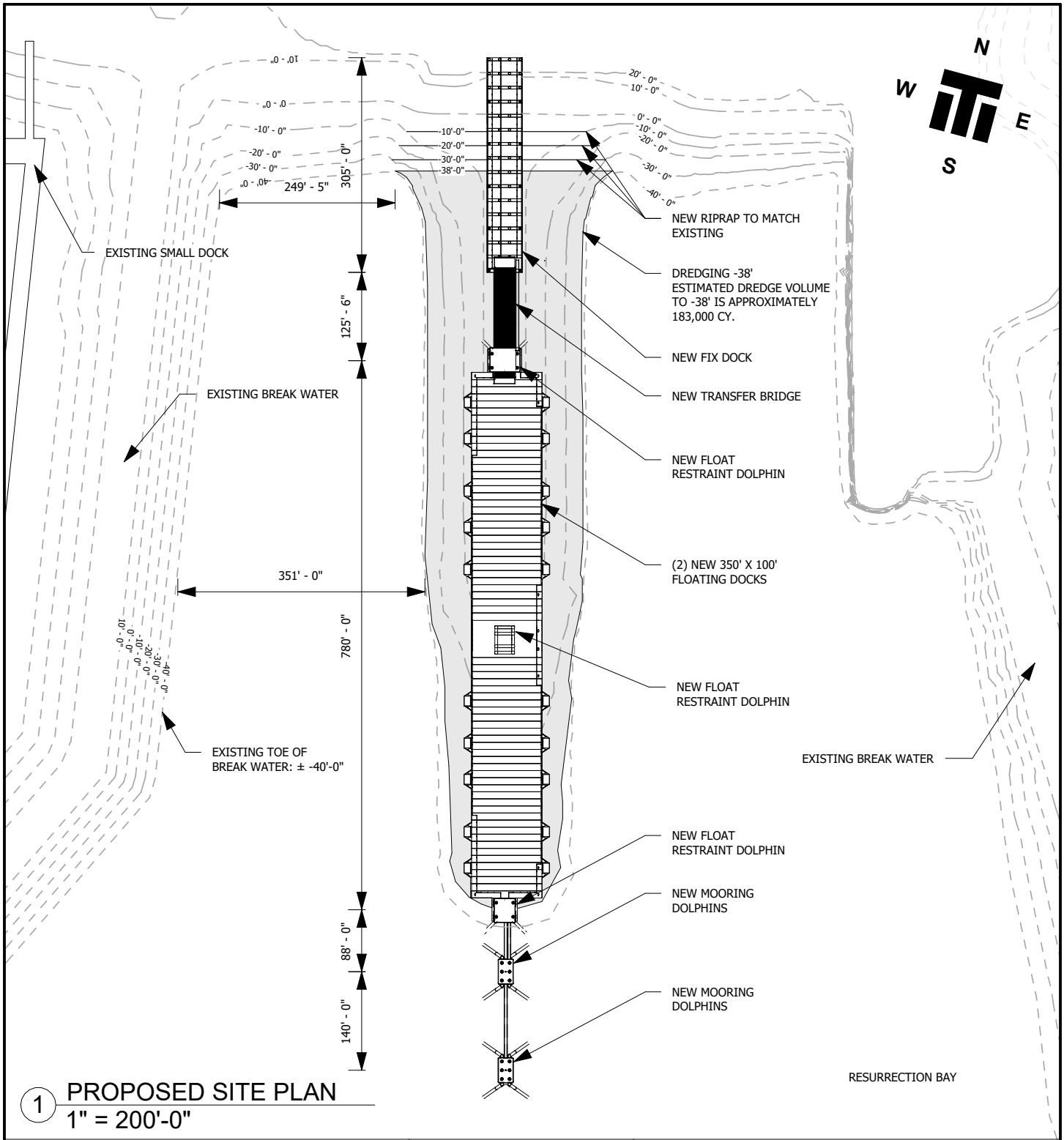
PROPOSED: **TURNAGAIN MARINE**
 AT: **SEWARD, ALASKA**
 WATERWAY: **RESURRECTION BAY**
 APPLICATION BY: **TURNAGAIN MARINE**

DRAFT

JOB NO. 23-006

DATE: JUN 05, 2024

SHEET: 2



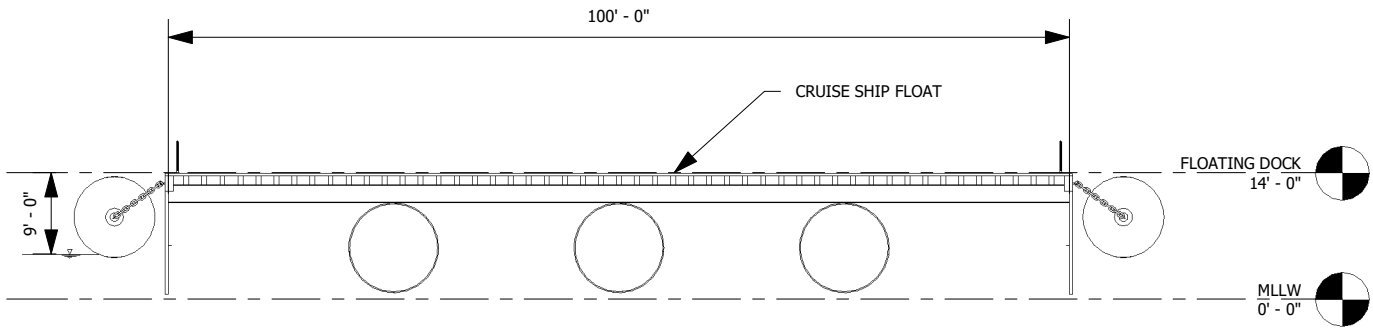
1 PROPOSED SITE PLAN
1" = 200'-0"

PURPOSE:
SEWARD CRUISE SHIP DOCK

PROPOSED SITE PLAN

JOB NO. 23-006

PROPOSED: **TURNAGAIN MARINE**
 AT: **SEWARD, ALASKA**
 WATERWAY: **RESURRECTION BAY**
 APPLICATION BY: **TURNAGAIN MARINE**
 DATE: **SEP 13, 2024** SHEET: **3**



① TYPICAL FLOATING DOCK SECTION
 3/64" = 1'-0"

PURPOSE:
SEWARD CRUISE SHIP DOCK

DRAFT

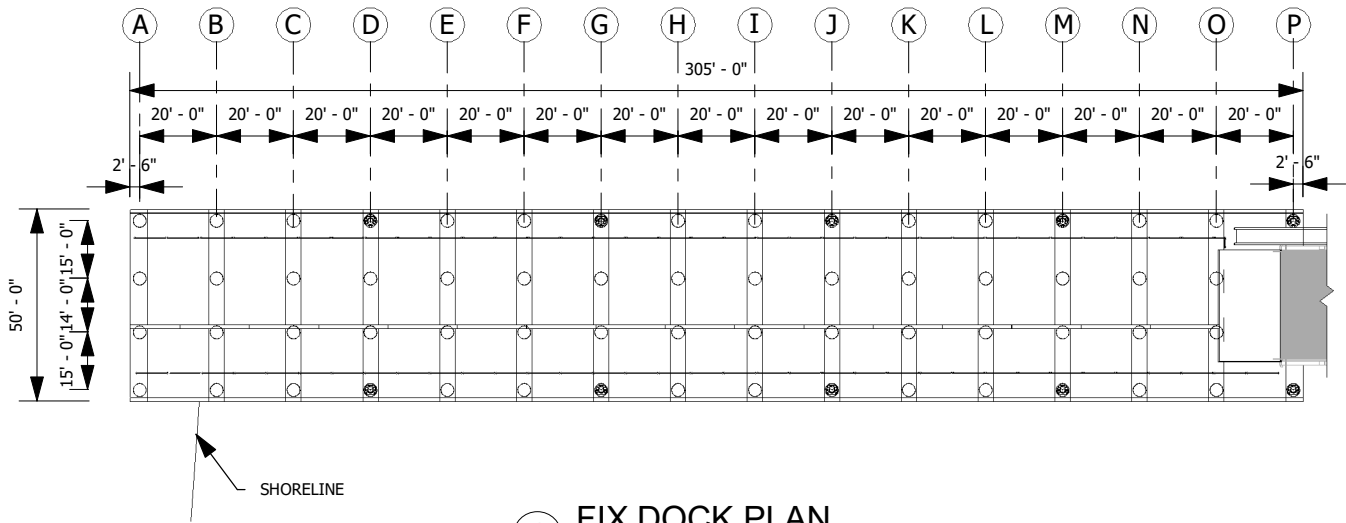
**PROPOSED
 FLOATING
 DOCK SECTION**

JOB NO. 23-006

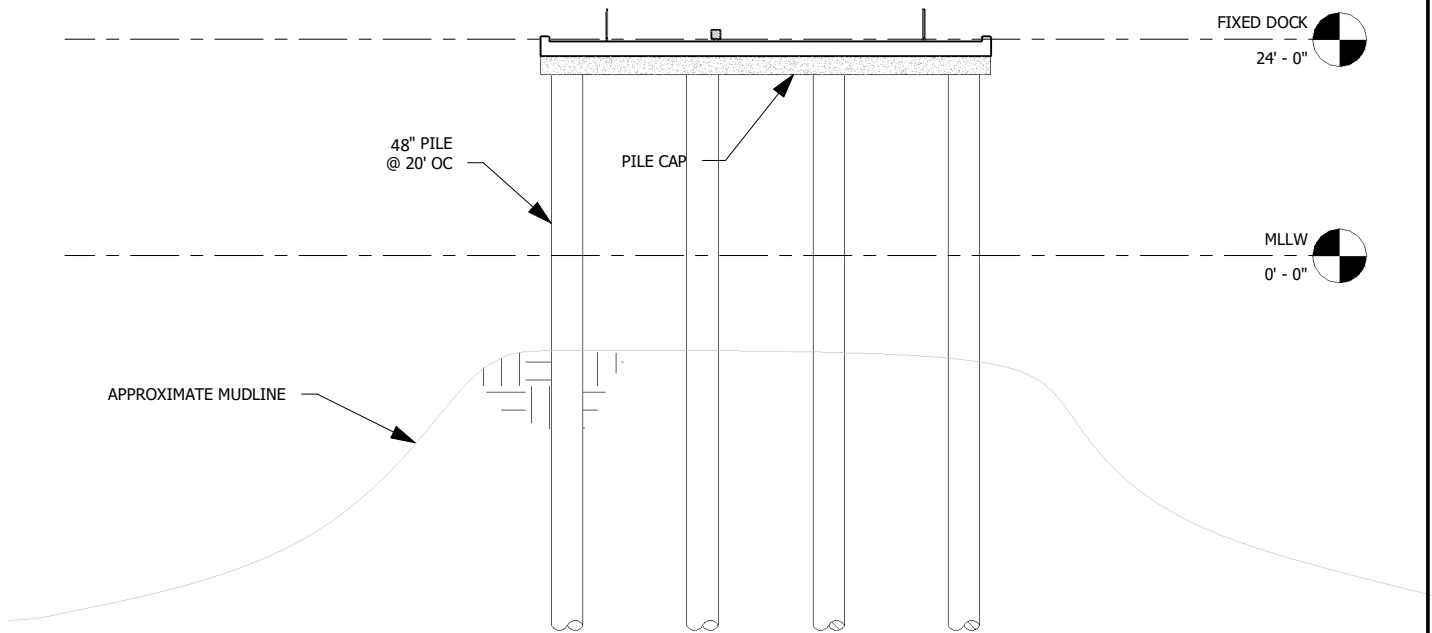
PROPOSED: **TURNAGAIN MARINE**
 AT: **SEWARD, ALASKA**
 WATERWAY: **RESURRECTION BAY**
 APPLICATION BY: **TURNAGAIN MARINE**

DATE: JUN 05, 2024

SHEET: 4



1 **FIX DOCK PLAN**
1" = 50'-0"



2 **FIX DOCK SECTION**
3/64" = 1'-0"

PURPOSE:
SEWARD CRUISE SHIP DOCK

DRAFT

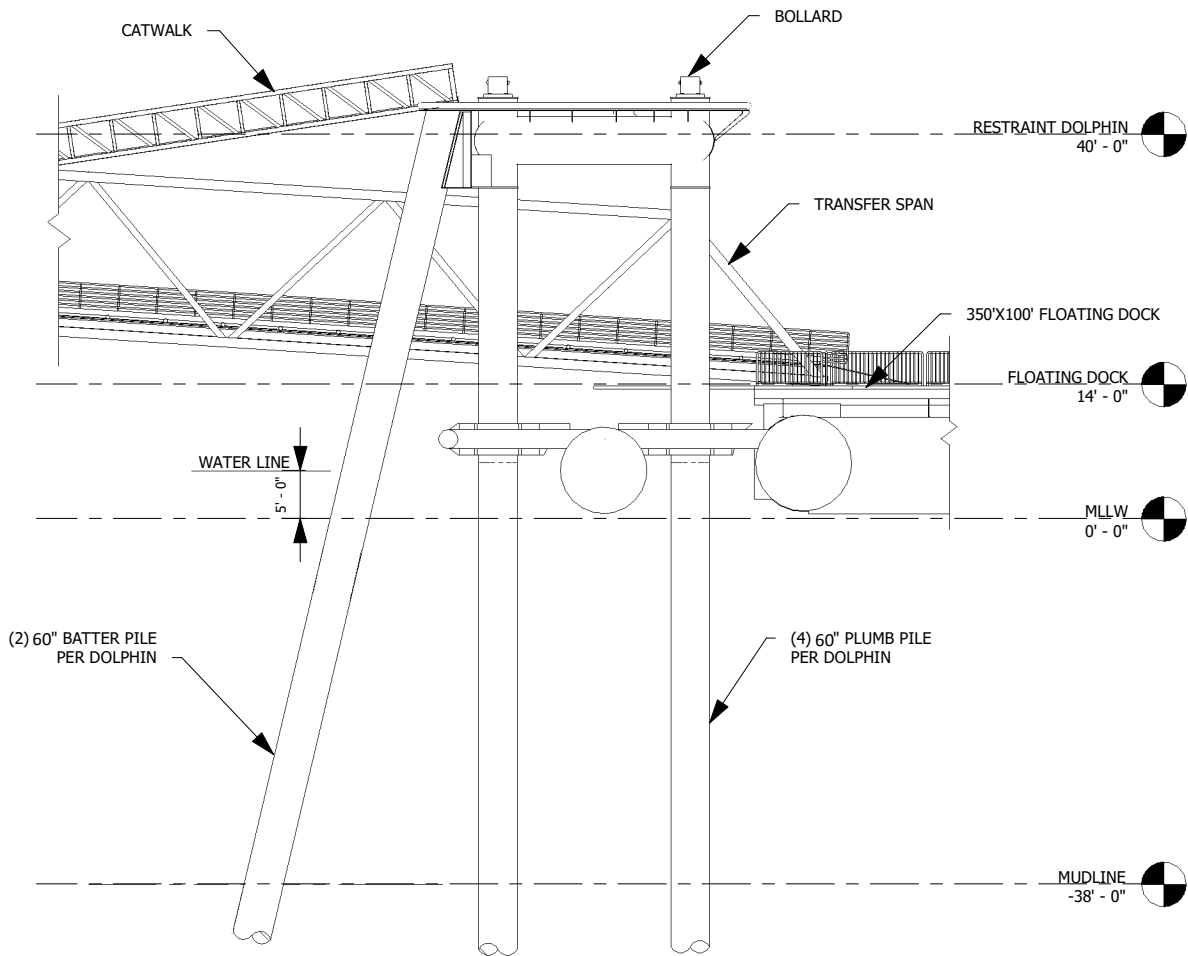
PROPOSED APPROACH TRESTLE

JOB NO. 23-006

PROPOSED: **TURNAGAIN MARINE**
AT: **SEWARD, ALASKA**
WATERWAY: **RESURRECTION BAY**
APPLICATION BY: **TURNAGAIN MARINE**

DATE: JUN 05, 2024

SHEET: 5



**FLOAT RESTRAINT DOLPHIN
ELEVATION**

①
1" = 20'-0"

PURPOSE:
**SEWARD CRUISE SHIP
DOCK**

DRAFT

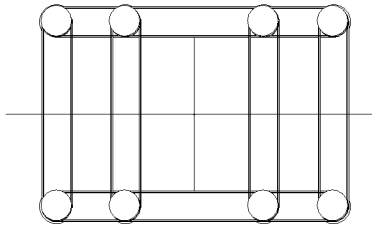
**PROPOSED
FLOAT
RESTRAINT
DOLPHIN**

JOB NO. 23-006

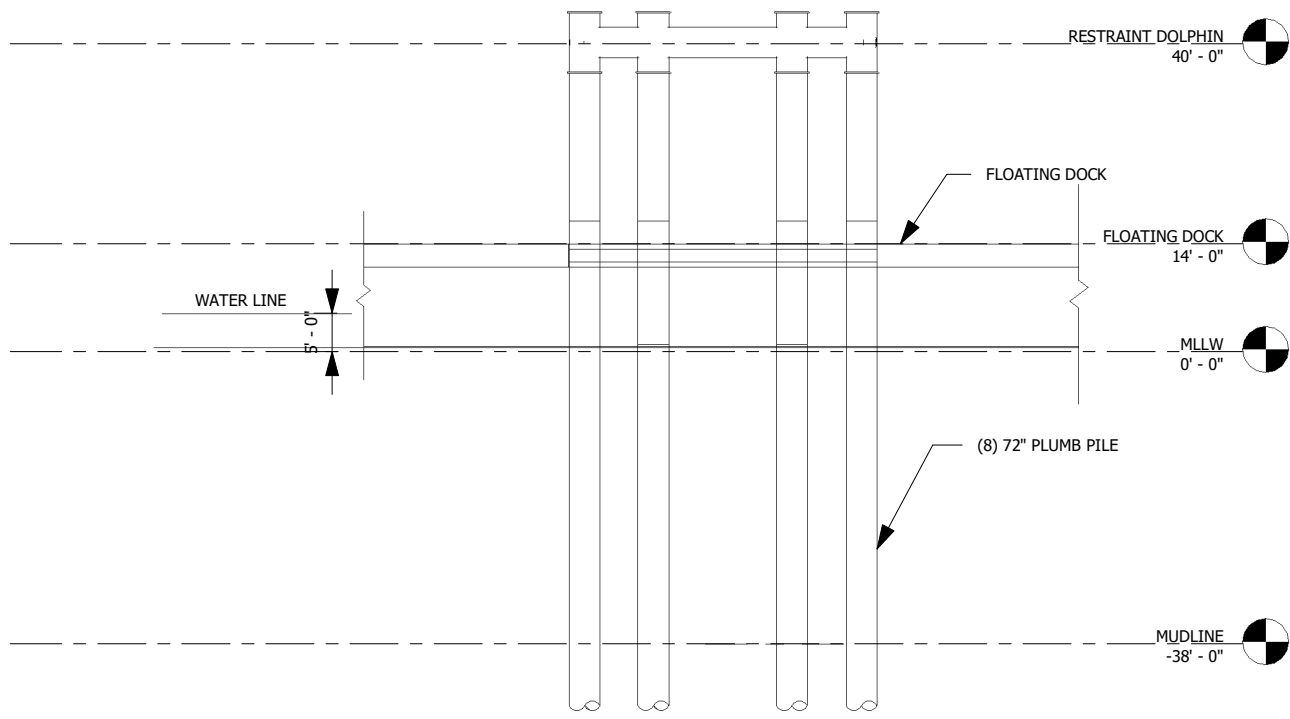
PROPOSED: **TURNAGAIN MARINE**
AT: **SEWARD, ALASKA**
WATERWAY: **RESURRECTION BAY**
APPLICATION BY: **TURNAGAIN MARINE**

DATE: JUN 05, 2024

SHEET: 6



1 MIDDLE FLOAT RESTRAINT DOLPHIN
PLAN
1" = 25'-0"



2 MIDDLE FLOAT RESTRAINT DOLPHIN
ELEVATION
1" = 25'-0"

PURPOSE:
SEWARD CRUISE SHIP
DOCK

DRAFT

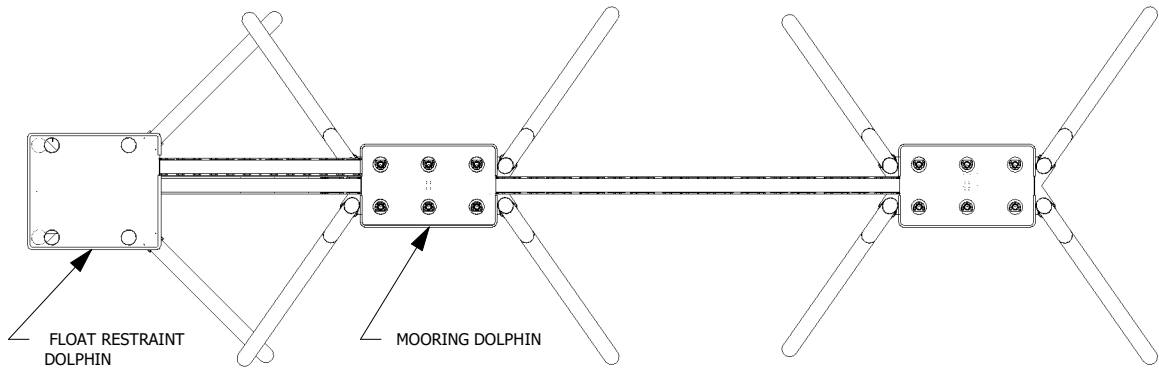
PROPOSED
MIDDLE FLOAT
RESTRAINT
DOLPHIN

JOB NO. 23-006

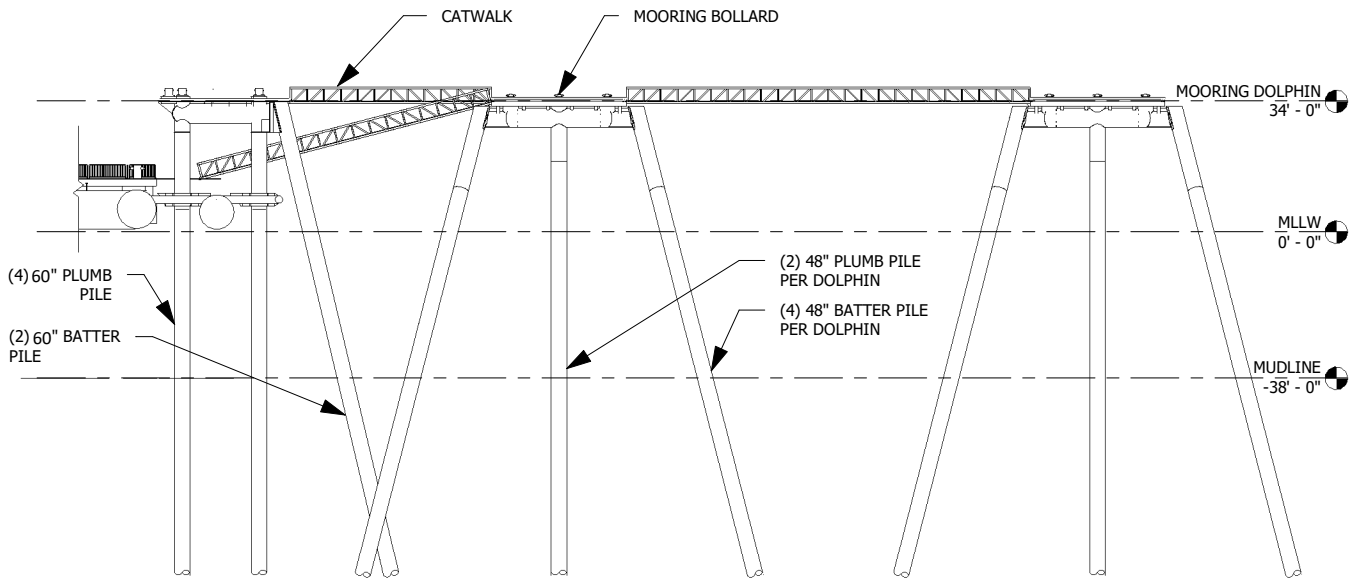
PROPOSED: TURNAGAIN MARINE
AT: SEWARD, ALASKA
WATERWAY: RESURRECTION BAY
APPLICATION BY: TURNAGAIN MARINE

DATE: JUN 05, 2024

SHEET: 7



① **MOORING DOLPHIN PLAN**
1" = 50'-0"



② **MOORING DOLPHIN ELEVATION**
1" = 50'-0"

PURPOSE:
SEWARD CRUISE SHIP DOCK

DRAFT

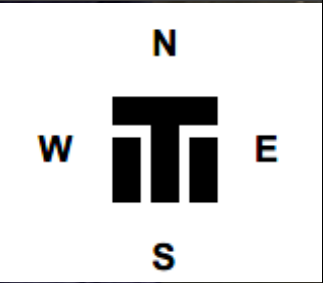
PROPOSED MOORING DOLPHIN

JOB NO. 23-006

PROPOSED: **TURNAGAIN MARINE**
AT: **SEWARD, ALASKA**
WATERWAY: **RESURRECTION BAY**
APPLICATION BY: **TURNAGAIN MARINE**

DATE: JUN 05, 2024

SHEET: 8



DEEP WATER
DISPOSAL
AREA



PURPOSE:
**SEWARD CRUISE SHIP
DOCK**

**APPROXIMATE
LOCATION OF
DEEP WATER
DISPOSAL
AREA**

PROPOSED: **TURNAGAIN MARINE**
 AT: **SEWARD, ALASKA**
 WATERWAY: **RESURRECTION BAY**
 APPLICATION BY: **TURNAGAIN MARINE**
 DATE: **SEP 26 2024** SHEET: 9