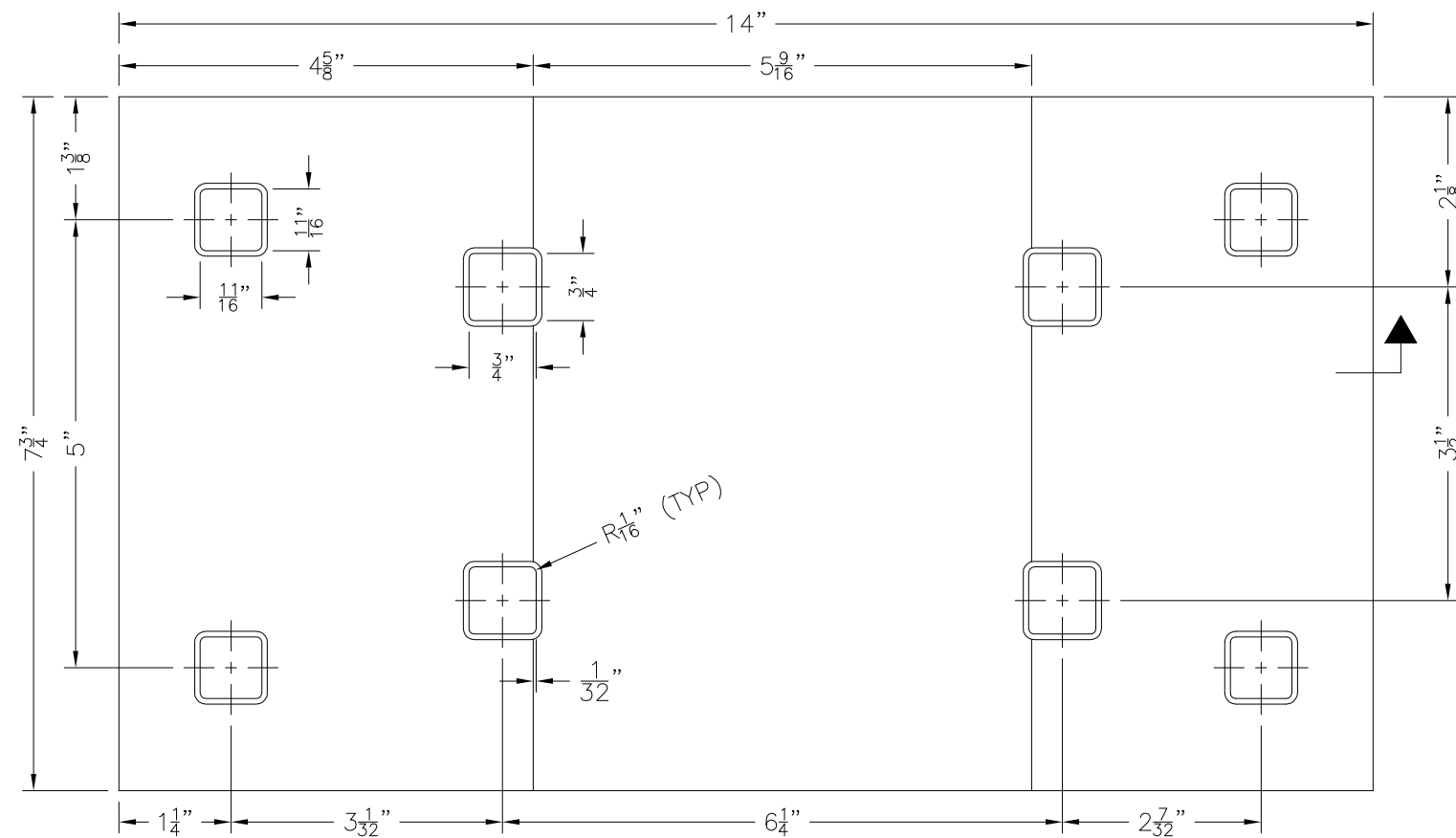


SIDE VIEW
HALF SIZE

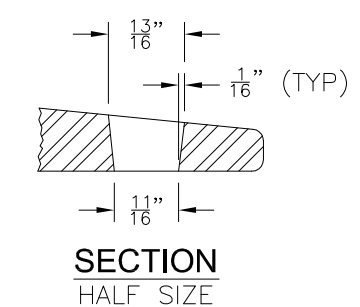


TOP VIEW
HALF SIZE


NOTES

1. ALL PLATES TO BE MANUFACTURED IN ACCORDANCE WITH AREMA CHAPTER 5, PART 1, SECTION 1 AND CONFORMING TO FIGURE 5-1-6, PLAN No. 8 - AREMA 14" TIE PLATE FOR 5 1/2" RAIL BASE WIDTH WITH PUNCHING "A" (8 SPIKE HOLES). HOLES PUNCHED FROM BOTTOM.
2. RIBS ON BOTTOM OF PLATE PREFERRED BUT NOT REQUIRED.

ESTIMATED WEIGHT = 23.12 LBS. (RIBBED)
22.19 LBS. (NON-RIBBED)



SECTION
HALF SIZE

 ALASKA RAILROAD CORPORATION OFFICE OF THE CHIEF ENGINEER P.O. BOX 107500, ANCHORAGE, ALASKA 99510-7500 (907) 265-2456		
STANDARD TIE PLATE - 7-3/4" x 14" FOR 115 LB. RE RAIL		
APPROVED:	DATE:	
DESIGNED BY:	SCALE: AS NOTED	FILE: s4-12.dwg
DRAWN BY: BBF	DATE: 5/02	4.12
APPROVED BY: ENG DEPT		