



# PROJECT LOCATION MAP

NOT TO SCALE

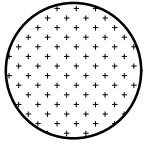
## VICINITY MAP

APPLICATION BY:  
 TLINGIT-HAIDA REGIONAL  
 HOUSING AUTHORITY 5446  
 JENKINS DRIVE JUNEAU, AK  
 99801

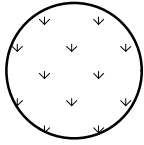
THRHA JUNEAU

AT: JUNEAU  
 LOCATED IN: TRACT II, USS 2135 JUNEAU  
 Lat 58°18'8"N, Long. 134°27'4"W

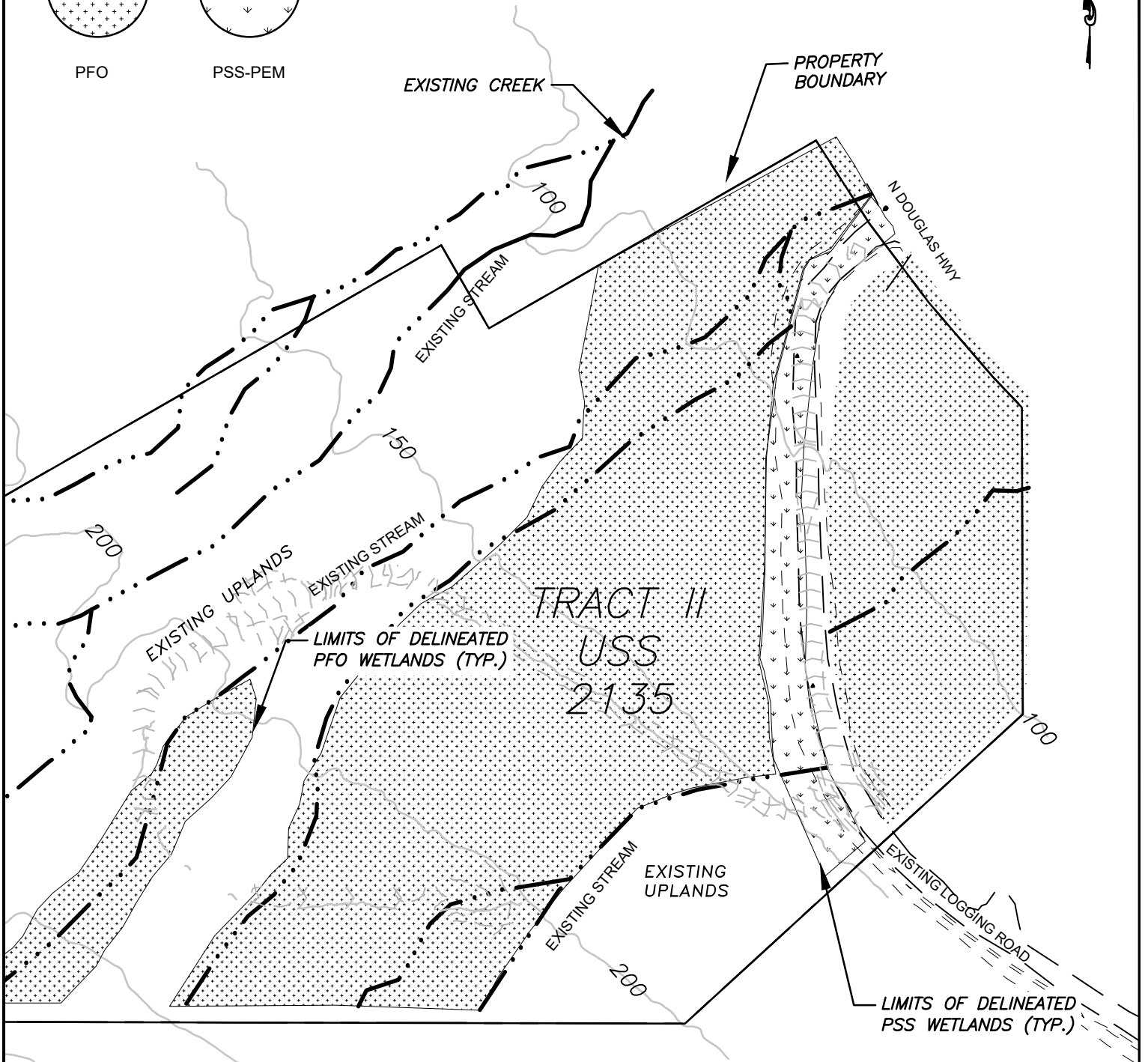
DATE: 10-7-24



PFO



PSS-PEM



### EXISTING CONDITIONS

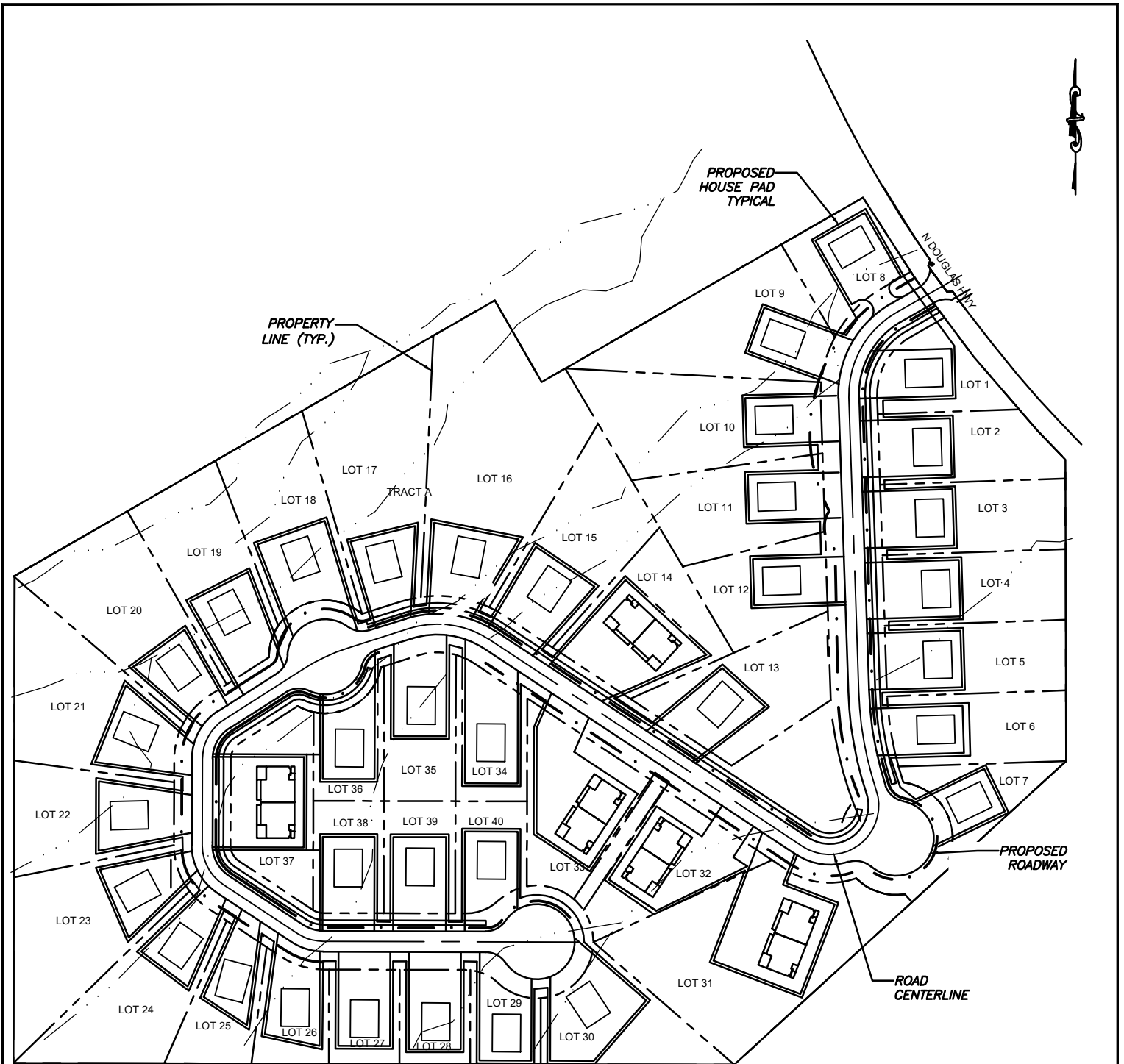
APPLICATION BY:  
 TLINGIT-HAIDA REGIONAL  
 HOUSING AUTHORITY 5446  
 JENKINS DRIVE JUNEAU, AK  
 99801

THRHA JUNEAU

AT: JUNEAU  
 LOCATED IN: TRACT II, USS 2135 JUNEAU  
 Lat 58°18'8"N, Long. 134°27'4"W

DATE: 10-7-24

SHEET 2



TOTAL LOTS DEVELOPED: 40  
 TOTAL PROJECT AREA: 17.62 ACRES  
 TOTAL AREA DISTURBED: 8.12 ACRES  
 PROJECT AREA IN WETLANDS:  
 PFO= 3.53 ACRES  
 PSS-PEM= 0.68 ACRES  
 TOTAL ROAD LENGTH: 2025 LF  
 ROAD LENGTH IN WETLANDS: 1400 LF  
 STREAM LENGTH IMPACTED: 2245 LF

## SITE PLAN

APPLICATION BY:  
 TLINGIT-HAIDA REGIONAL  
 HOUSING AUTHORITY 5446  
 JENKINS DRIVE JUNEAU, AK  
 99801

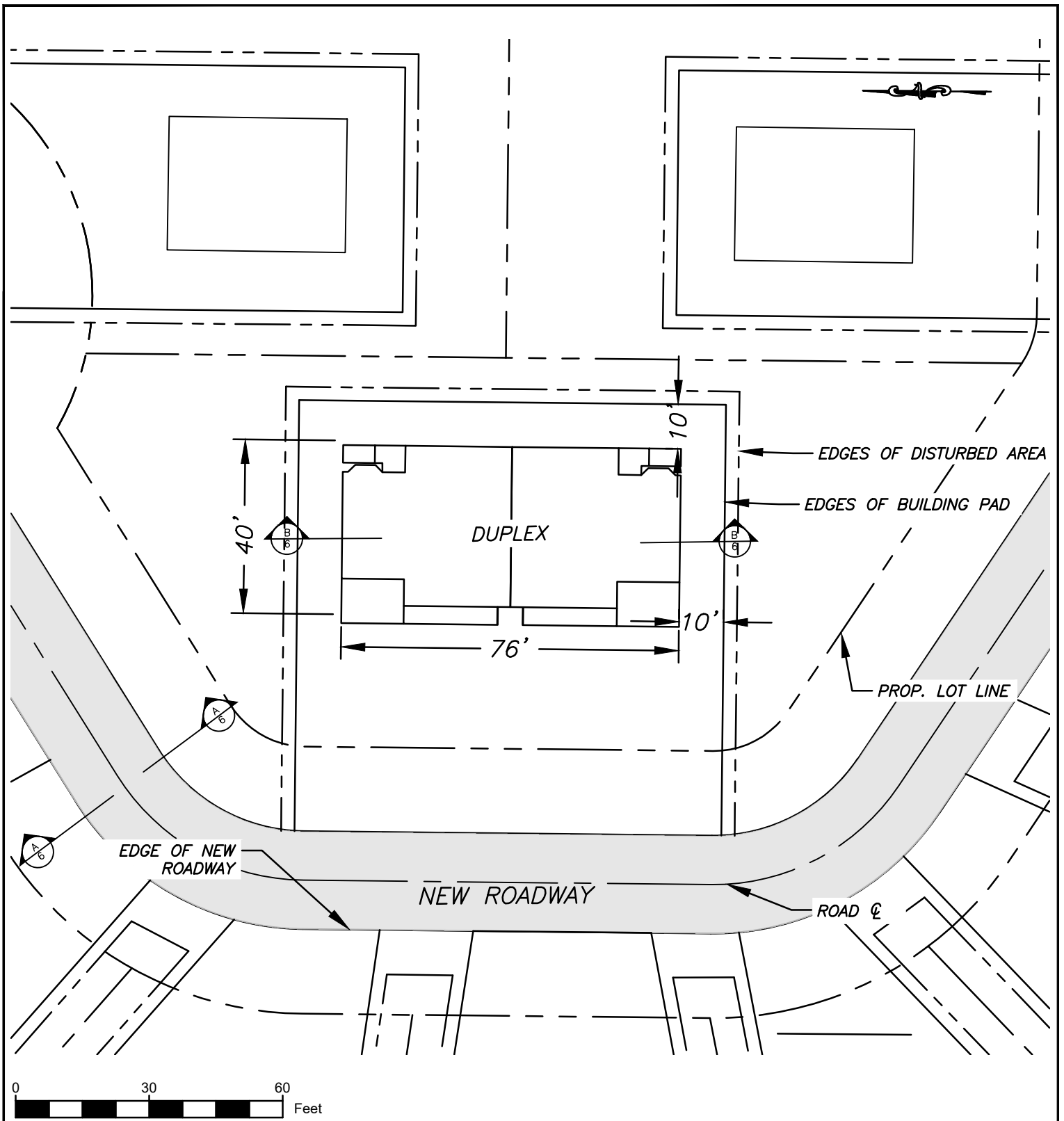
THRHA JUNEAU

AT: JUNEAU

LOCATED IN: TRACT II, USS 2135 JUNEAU  
 Lat 58°18'8"N, Long. 134°27'4"W

DATE: 10-7-24

SHEET **3**



**TYPICAL DUPLEX  
LOT BUILDING PAD**

APPLICATION BY:  
 TLINGIT-HAIDA REGIONAL  
 HOUSING AUTHORITY 5446  
 JENKINS DRIVE JUNEAU, AK  
 99801

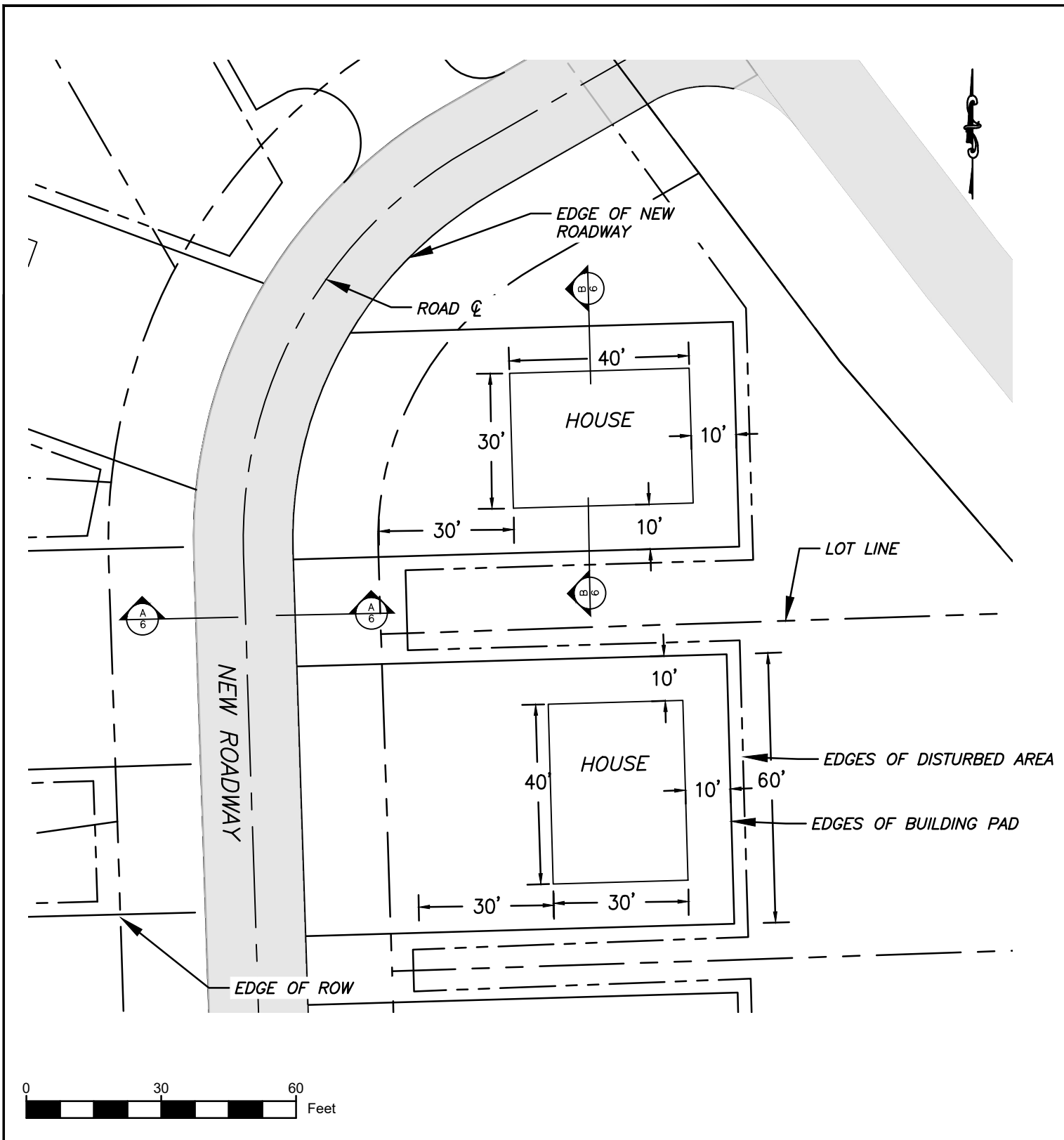
THRHA JUNEAU

AT: JUNEAU

LOCATED IN: TRACT II, USS 2135 JUNEAU  
 Lat 58°18'8"N, Long. 134°27'4"W

DATE: 10-7-24

SHEET **4**



**TYPICAL SINGLE LOT BUILDING PAD**

APPLICATION BY:  
 TLINGIT-HAIDA REGIONAL  
 HOUSING AUTHORITY 5446  
 JENKINS DRIVE JUNEAU, AK  
 99801

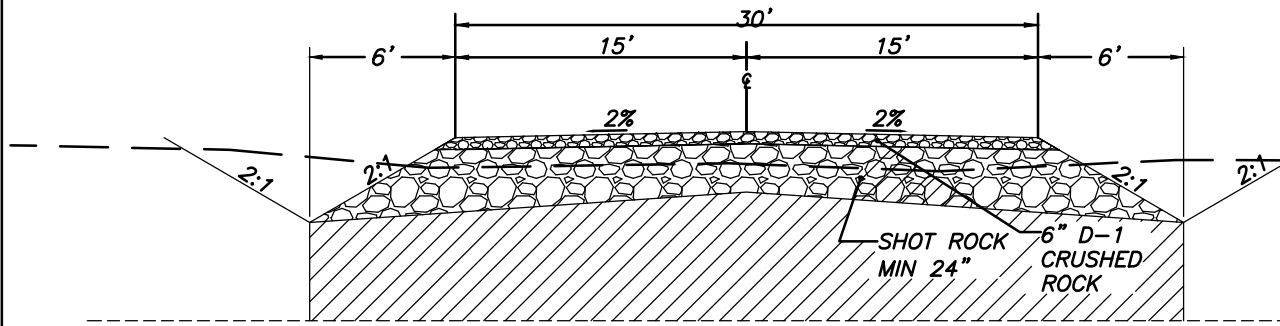
THRHA JUNEAU

AT: JUNEAU

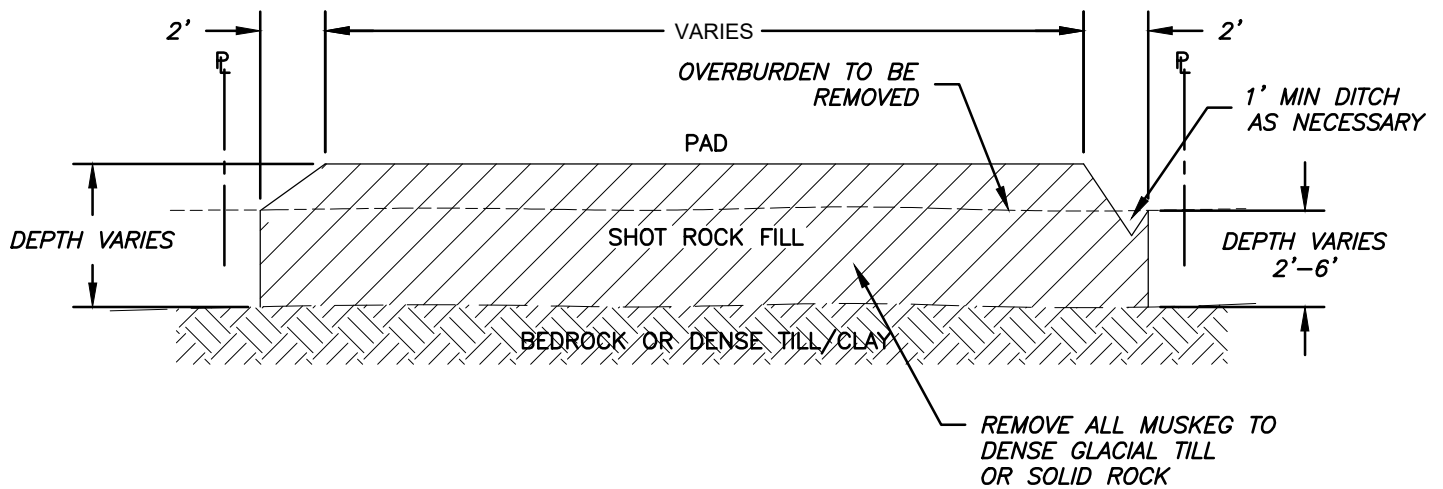
LOCATED IN: TRACT II, USS 2135 JUNEAU  
 Lat 58°18'8"N, Long. 134°27'4"W

DATE: 10-7-24

SHEET **5**



**TYPICAL ROAD SECTION  
A-A**



**TYPICAL BUILDING PAD  
B-B**

**TYPICAL SECTIONS**

APPLICATION BY:  
TLINGIT-HAIDA REGIONAL  
HOUSING AUTHORITY 5446  
JENKINS DRIVE JUNEAU, AK  
99801

THRHA JUNEAU

AT: JUNEAU

LOCATED IN: TRACT II, USS 2135 JUNEAU  
Lat 58°18'8"N, Long. 134°27'4"W

DATE: 10-7-24

SHEET **6**