



Issue Date: October 22, 2024

ATTN: Vendors

RE: Project Name: GCCC Boiler Replacement Phase II
Project Number: 240002942
Project Location: Goose Creek Correctional Center (GCCC), Wasilla, Alaska
New ITB Deadline: **October 29, 2024 @ 2:00 p.m., Local Time**

Addendum # Two (2)

This addendum forms a part of the contract documents and modifies the original drawings and/or specifications for the subject work. In case of conflicts between this addendum and previously issued documents, this addendum shall take precedence.

The following additions are required:

1. Attached is the Plan Holder's List for this project (3 Pages). The company names that are highlighted in yellow attended the mandatory pre-site visits.

The following are questions from interested parties and the department 's response.

1. Do the new boilers require any additional combustion air?
A: Yes
2. Are the new boilers flues intended to use the current roof penetration?
A: Yes, see attached illustration (2 pages)
3. Has there been any design efforts on the heat exchanger scope?
A: No
4. Is all the required equipment owner supplied for the completed scope?
A: All provided product attached. Any additional Fastener, Piping & Vent Caps to be provided by the contractor (3 pages).
5. Is the supplied flue piping complete, all materials on hand?
A: Yes, if more is needed the owner will supply.
6. How long can the heat exchangers be down?
A: Hot water outages to be coordinated three days in advance. Shutdowns limited to 24 hours.
7. Does B-11 & B-12 require to be relocated and placement of a new housekeeping pad?
A: No

8. Was the boiler start up supplied by the owner (included in boiler procurement)?

A: Yes

This addendum is considered part of the Invitation to Bid (ITB) and is to be acknowledged on your quote form.

Please contact me if you have any questions at michael.lim@alaska.gov or 907-465-6014.

Sincerely,

Michael Lim

Michael Lim
Procurement Manager

cc: Shawn Ratliff, Facilities Manager I, DOC

End of Addendum

Total number of pages contained within this Addendum: 10



Proctor Sales Inc.
 9210 Vanguard STE 102
 Anchorage, AK 99507-4619
 USA
 Phone: 907-562-2608
 tnibert@GoPSI.com

Quotation

Subject to Approval

From The Desk Of - Troy Nibert

To: Department of Corrections	Job#: 1820052
Attn: Bill Merchant	Quote #: PSIQ52159
	Date: 1/2/2024
	Bid Date: 1/5/2024
	Job Name: Wasilla GCCC Boiler Replace

Terms: Net 30 days with approved credit or add 3% for VISA/MasterCard/AMEX. Retainage does not apply. This quote is for your evaluation and consideration and is not an offer, but merely invites your offer to purchase. Applicable taxes not included. **QUOTATION PRICING EXPIRES 30 DAYS FROM QUOTED DATE UNLESS OTHERWISE NEGOTIATED OR STATED ELSEWHERE ON QUOTE.** Warranty Terms: All quotes exclude warranty labor. Manufacturer's standard warranty ends 18 months from ship date or 12 months from start-up, whichever occurs first. Quotation includes only that which is stated, and takes exception to all other. See Appendix A for our commercial terms and conditions.

Pricing based on purchase of entire quote. Deviation from this may require price revision to both product, and freight.

Qty	Description	Net Each	Total
-----	-------------	----------	-------

Base Design

Tag: B-1 thru 10

1 Lot pricing for 10 Aerco Benchmark boilers and Centrotherm to vent all boilers individually thru existing flue chase.

(10) Aerco Benchmark BMK 3000 Condensing Boiler, 3000 MBH input each, natural gas firing; 460V/3PH/60Hz power, 439 SS heat exchanger, Fully modulating 15:1 turndown, 8" vent connection, Edge [ii] controller with onboard multi unit sequencing logic, Onboard ModBUS TCP/IP and BACnet IP for BAS communication
 2" RV-91 Maxitrol

30 psi relief valve, pressure to be verified prior to order release

On board BST header temperature sensor

Return header temperature sensor

(10) Neutralizing Tube, up to 3000 MBH

Tag: Boiler Flue

Centrotherm InnoFlue (SW) Series Stack

Lot of Centrotherm stack to individually vent 10 Aerco Benchmark 3000 boilers, 8" ID vent size.

Maximum flue gas temperatures of 230°F (110°C) per UL1738 & ULC-S636, Zero

clearance to combustibles, Gasketed push/fit connection system

Aerco flue adapters included.

Material list to be verified prior to ordering

Proctor Sales, Inc. Quote Department

Wasilla GCCC Boiler Replace

Page 1 of 3

PSIQ52159

Proctor Sales Inc. - Please visit our new website- www.GoPSI.com - for our complete line of products

Qty	Description	Net Each	Total
-----	-------------	----------	-------

Tag: Start Up

Boiler start-up by manufacturer's authorized representative, after installation by others.

- Owner training and commissioning is included.
- Based upon standard weekday (Mon-Fri) rates & times (7:00 AM - 4:00 PM).
- Providing a total of four trips, one trip for start-up, one trip for training, one trip for commissioning and one trip for owner adjustment.

After one year of operation another trip will be provided for occupancy adjustment and boiler combustion testing.

Boiler Start Up includes Alternate 1

Qty	Description	Net Each	Total
-----	-------------	----------	-------

Alternate 1

Tag: B-1, 2

1 Lot pricing for 2 Aerco CFR 3000 Non-Condensing boilers, Schebler venting to vent all boilers individually thru existing flue chase, System pumps, Buffer tank and Air Elimination.

(2) Aerco CFR 3000 Non-Condensing Boiler, 3000 MBH input each, natural gas firing, 460V/3PH/60Hz power, 439 SS heat exchanger, 3:1 turndown, 8" vent connection, Category I listed, Edge [ii] controller with onboard multi unit sequencing logic, Onboard ModBUS TCP/IP and BACnet IP for BAS communication
2" RV-91 Maxitrol

30 psi relief valve, pressure to be verified prior to order release

On board BST header temperature sensor

Return header temperature sensor

Tag: Boiler Flue

Lot of Schebler P1 stack individually venting 2 Aerco CFR 3000 boilers, 8" ID vent size.

Maximum flue gas temperatures of 1400°F per UL103, double wall with 1" insulation

Aerco flue adapters included.

Tag: PMP-1, 2

(2) Taco Model KV3009 Vertical In-Line Pump, 3" (76 mm) Suction, 3" (76 mm) Discharge, 1150 RPM, ODP, No Drip Cover, 3 HP, Starting Option = Across the Line (Standard), 230-460/60/3, 40 Deg C Ambient/NEMA STD./CCW (Standard), Baldor, Premium Efficiency: Meets MG1-12.55, AEGIS Shaft Grounding, Seal = Silicon-Carbide Seat, Carbon Rotor, EPT Rubber, 250 Deg F, Clean Water, Material of Construction = Cast Iron Casing and Cover, Bronze Impeller, Bronze Shaft Sleeve, ANSI Class 125 Flanges no WR

Tag: ET-1

Taco Model CX-130-125 Diaphragm Type Expansion Tank, 35 Gal. Volume, 15 Gal. Acceptance 125 PSI, ASME

Tag: AS-1

Taco Model 4906AD-125 Air and Dirt Separator, 6" Pipe Size, 125 PSI, Flanged

Tag: Buffer Tank

Taco Model BTH0300F06-125NN Vertical Buffer Tank with Baffle, High Inlet/Outlet Connections, 300 Gallons, 36" Diameter, 6" Flanged Connections, 125 PSI, No Insulation; Exterior Red Oxide Primer Finish [Standard], No Anchor Clips

Customer Freight Terms: FFA to Jobsite

Origin: FOB Factory

Please contact me if I can be of further assistance.

Proctor Sales, Inc. Quote Department

Wasilla GCCC Boiler Replace

Page 3 of 3

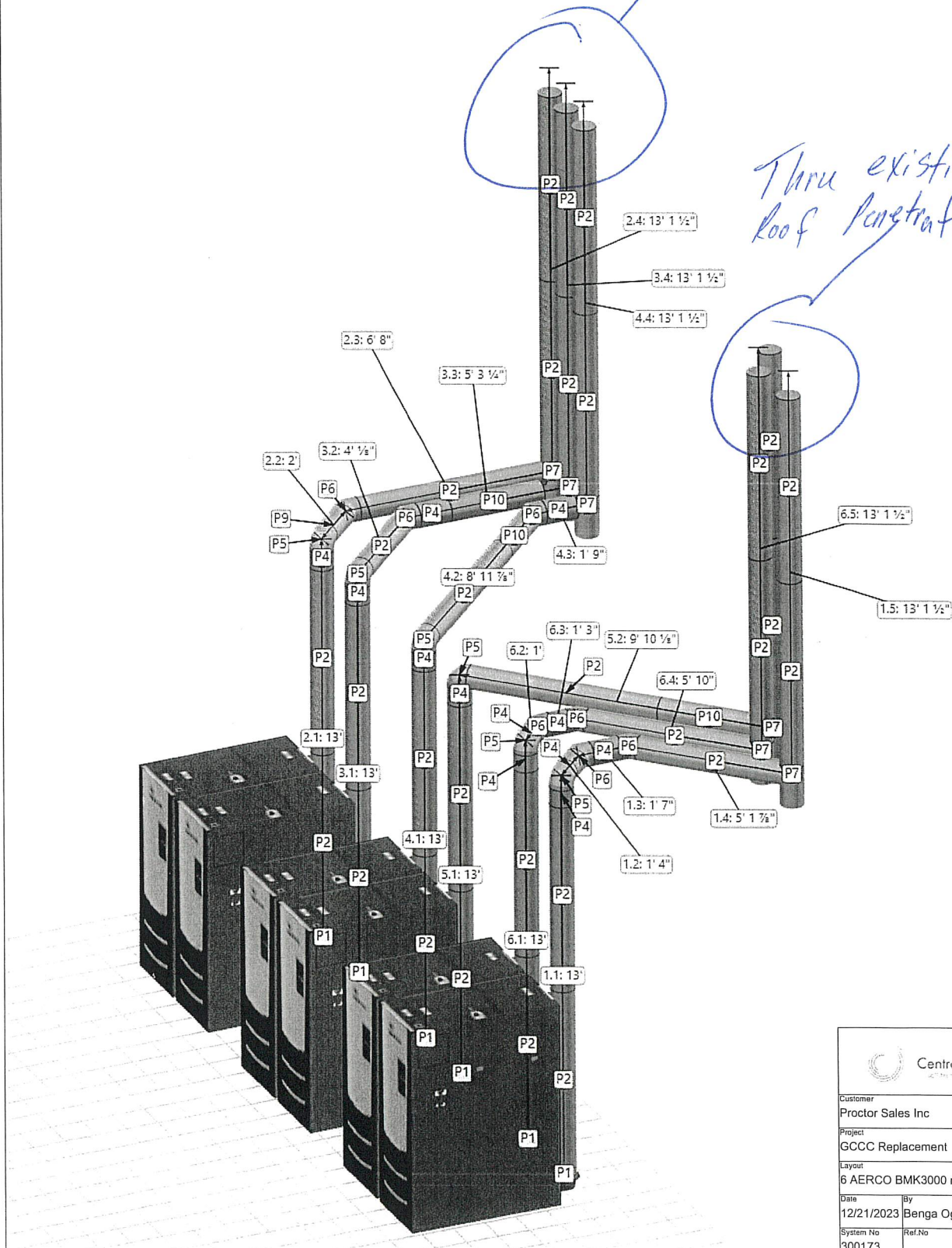
PSIQ52159

Proctor Sales Inc. - Please visit our new website- www.GoPSI.com - for our complete line of products

Label	Qty	Item No	Description
P1	6	ISAFLG08	8" Flanged Appliance Adaptor
P2	30	ISVL086	8" x 72" Vent Length
P3	54	IASCM08	8" Metal Support Clamp
P4	12	ISVL081	8" x 12" Vent Length
P5	6	ISELS0887	8" x 87 Elbow
P6	7	ISELS0845	8" x 45 Elbow
P7	6	ISBS0887	8" Base Support
P8	6	ISVC0806	8" to 6" Velocity Cone
P9	1	ISVL082	8" x 24" Vent Length
P10	3	ISVL083	8" x 36" Vent Length

Thru existing roof penetration

Thru existing roof penetration

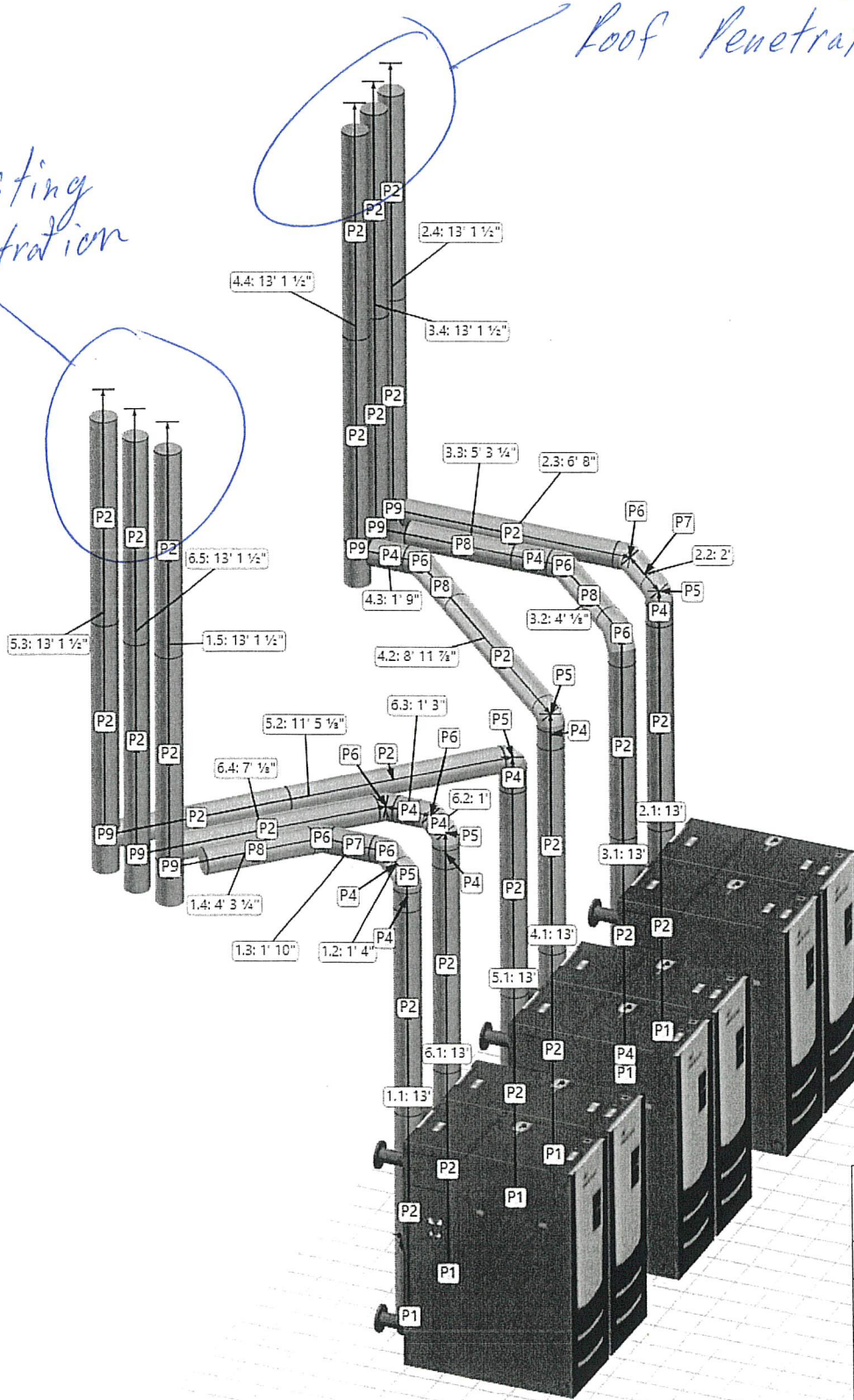


 Centrotherm <small>Commercial Heating & Cooling</small>		
Customer Proctor Sales Inc		
Project GCCC Replacement		
Layout 6 AERCO BMK3000 right side		
Date 12/21/2023	By Benga Ogunnusi	
System No 300173	Ref. No	Scale None

Label	Qty	Item No	Description
P1	6	ISAFLG08	8" Flanged Appliance Adaptor
P2	29	ISVL086	8" x 72" Vent Length
P3	55	IASCM08	8" Metal Support Clamp
P4	11	ISVL081	8" x 12" Vent Length
P5	5	ISELS0887	8" x 87 Elbow
P6	9	ISELS0845	8" x 45 Elbow
P7	2	ISVL082	8" x 24" Vent Length
P8	4	ISVL083	8" x 36" Vent Length
P9	6	ISBS0887	8" Base Support
P10	6	ISVC0806	8" to 6" Velocity Cone

*Thru existing
Roof Penetration*

*Thru
Roof
existing
Penetration*



 Centrotherm <small>Quality Systems</small>		
Customer Proctor Sales Inc		
Project GCCC Replacement		
Layout 6 AERCO BMK3000		
Date 12/21/2023	By Benga Ogunnusi	
System No 300173	Ref No	Scale None

PROJECT NAME: GCCC Boiler Replacement, Phase II		PROJECT NUMBER(S): 240002942			
PROJECT MANAGER: Shawn Ratliff		ADVERTISING DATE: 9/13/2024		BID DUE DATE: 10/29/2024	
COMPANY/ADDRESS/PHONE/EMAIL		DATE ISSUED	NO. OF SETS	*TYPE*	ADD/RPT OTHER
COMPANY NAME: Pinnacle Mechanical		9/30/2024			
POC: Shane Fett					
PHYSICAL ADDRESS:					
MAILING ADDRESS:					
PHONE: 907-748-5659	Email sfeet@pmi-hvac.net				
COMPANY NAME: Proctor Sales		9/30/2024			
POC: Neil Sanchez					
PHYSICAL ADDRESS:					
MAILING ADDRESS:					
PHONE: 907-290-9825	Email nsanchez@gopsi.com				
COMPANY NAME: Consolidated Contracting & Engineering		9/25/2024			
POC: Dave Nickerson					
PHYSICAL ADDRESS:					
MAILING ADDRESS:					
PHONE: 907-529-2402	Email: consolidatedconeng@gmail.com				

**** G (GENERAL)
A (AGENCY)

S (SUBCONTRACTOR)
C (CONSULTANT)

SP (SUPPLIER)
P (PLANROOM)

PROJECT NAME: GCCC Boiler Replacement, Phase II		PROJECT NUMBER(S): 240002942			
PROJECT MANAGER: Shawn Ratliff		ADVERTISING DATE: 9/13/2024		BID DUE DATE: 10/29/2024	
COMPANY/ADDRESS/PHONE/EMAIL		DATE ISSUED	NO. OF SETS	*TYPE*	ADD/RPT OTHER
COMPANY NAME: Siemens		10/9/2024			
POC: Joseph Dickerson					
PHYSICAL ADDRESS:					
MAILING ADDRESS:					
PHONE: 907-519-3534					
COMPANY NAME: Superior Plumbing		10/9/2024			
POC: Tony Jones					
PHYSICAL ADDRESS:					
MAILING ADDRESS:					
PHONE: 907-317-1040					
COMPANY NAME: Alaska Air Balancing					
POC: Jason Garner					
PHYSICAL ADDRESS:					
MAILING ADDRESS:					
PHONE: 907-746-1090					

**** G (GENERAL)
A (AGENCY)

S (SUBCONTRACTOR)
C (CONSULTANT)

SP (SUPPLIER)
P (PLANROOM)

PROJECT NAME: GCCC Boiler Replacement, Phase II			PROJECT NUMBER(S): 240002942			
PROJECT MANAGER: Shawn Ratliff		ADVERTISING DATE: 9/13/2024			BID DUE DATE: 10/29/2024	
COMPANY/ADDRESS/PHONE/EMAIL			DATE ISSUED	NO. OF SETS	*TYPE*	ADD/RPT OTHER
COMPANY NAME: Plans Room LLC						
POC: Melaine Anderson						
PHYSICAL ADDRESS:						
MAILING ADDRESS:						
PHONE: 907-563-2029		Email: mail@theplansroom.com				
COMPANY NAME: Plan Center Northwest						
POC: Svea Erickson						
PHYSICAL ADDRESS:						
MAILING ADDRESS:						
PHONE: 503-650-0148		Email: svea@plancenternw.com				
COMPANY NAME: Dodge Construction Network						
POC: Kristal Amad						
PHYSICAL ADDRESS:						
MAILING ADDRESS:						
PHONE: 844-326-3826X7346		Email: kristal.amad@construction.com				

**** G (GENERAL)
A (AGENCY)

S (SUBCONTRACTOR)
C (CONSULTANT)

SP (SUPPLIER)
P (PLANROOM)