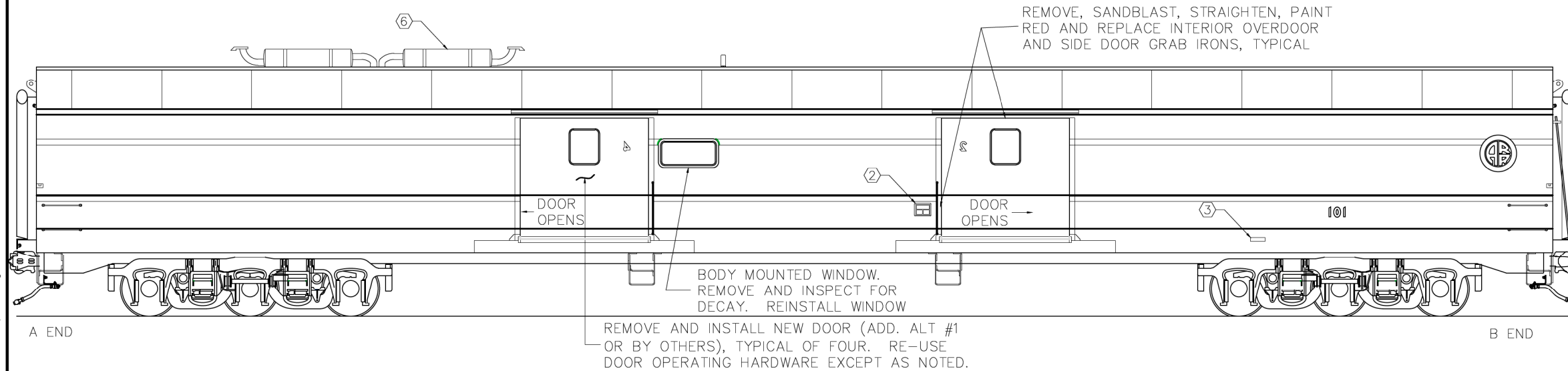
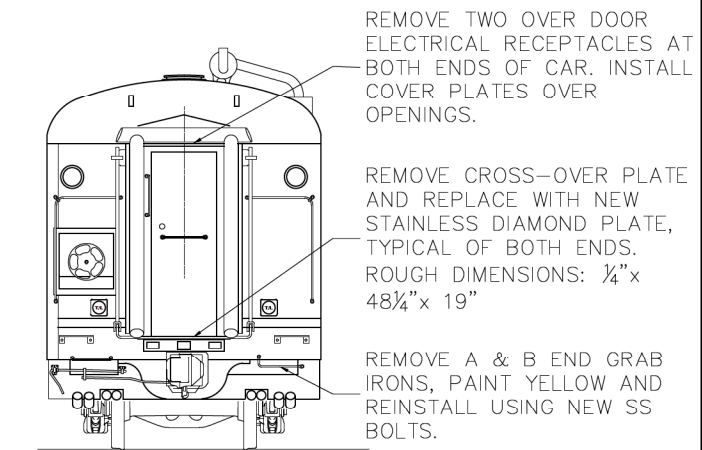


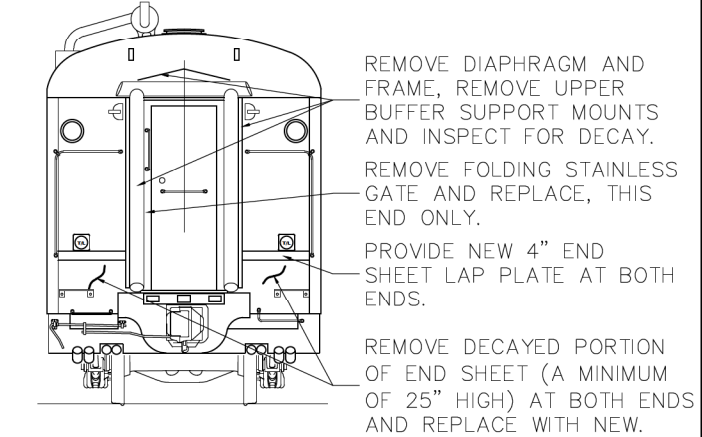
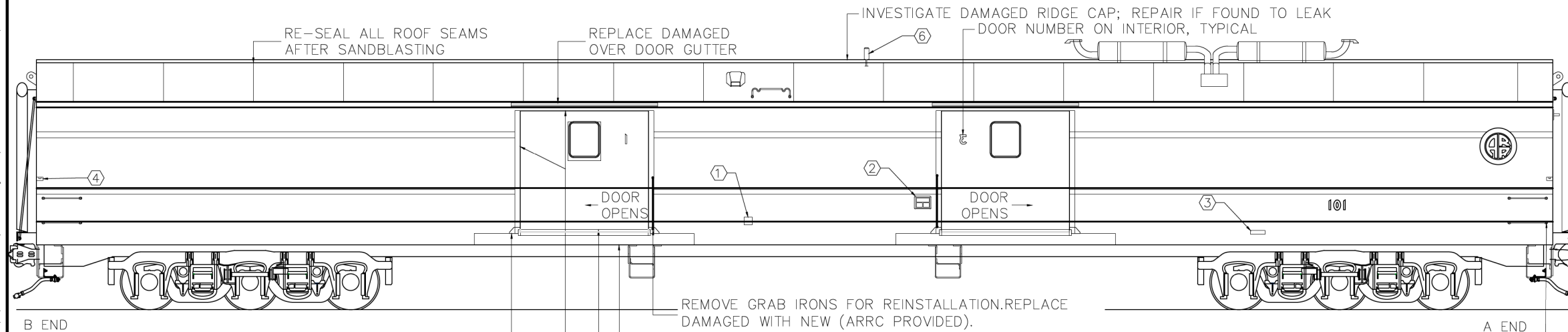
P:\Engineering\Motive Power and Equipment\2. Passenger\Passenger Equipment Rehab\2023 Projects\ARR 101 Paint and Repairs\ARR 101 Bagcar Paint and Repairs.dwg



A
1 **ARR 101 LEFT SIDE EXTERIOR ELEVATION**
SCALE: NTS



B
1 **ARR 101 B-END**
SCALE: NTS

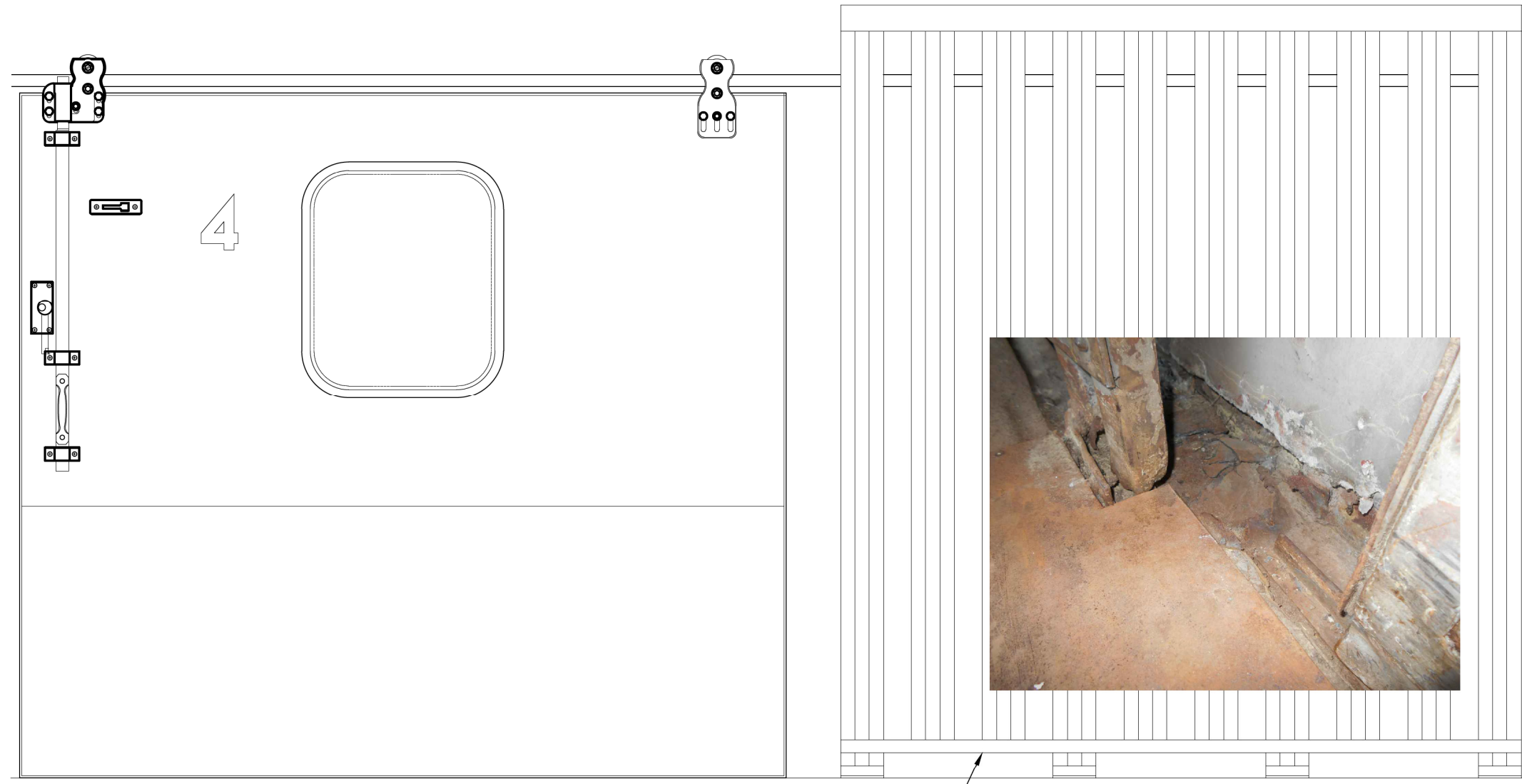


D
1 **ARR 101 A-END**
SCALE: NTS

- ① REMOVE AND REPAIR SURFACE PATCH PER ARRC STANDARD REPAIR DRAWING.
- ② REMOVE TWO DEFECT CARD HOLDERS; NOT TO BE REINSTALLED.
- ③ LABEL AND REMOVE AEI TAGS. REINSTALL TO ORIGINAL LOCATION.
- ④ REMOVE FLAG HOLDERS (4 TOTAL) FOR REINSTALLATION.
- ⑤ REMOVE EXHAUST MANIFOLD FROM ROOF AND REINSTALL.
- ⑥ REMOVE AND REINSTALL ROOF MOUNTED ANTENNA.


C
1 **ARR 101 RIGHT SIDE EXTERIOR ELEVATION**
SCALE: NTS

ALASKA RAILROAD CORPORATION ENGINEERING SERVICES P.O. BOX 107500, ANCHORAGE, ALASKA 99510-7500		
PROJECT :		
MOTIVE POWER AND EQUIPMENT PASSENGER EQUIPMENT		
TITLE:		
ARR 101 REPAIR AND PAINT EXTERIOR ELEVATIONS		
DESIGNED BY: ARR	SCALE : NO SCALE	AFE NO.: 2023 FTA: 11070
DRAWN BY: ARR	DATE : JULY 2023	ACAD FILE:
CHECKED BY: ARR		DWG NO.
APPROVED BY: ARR		1 OF 4

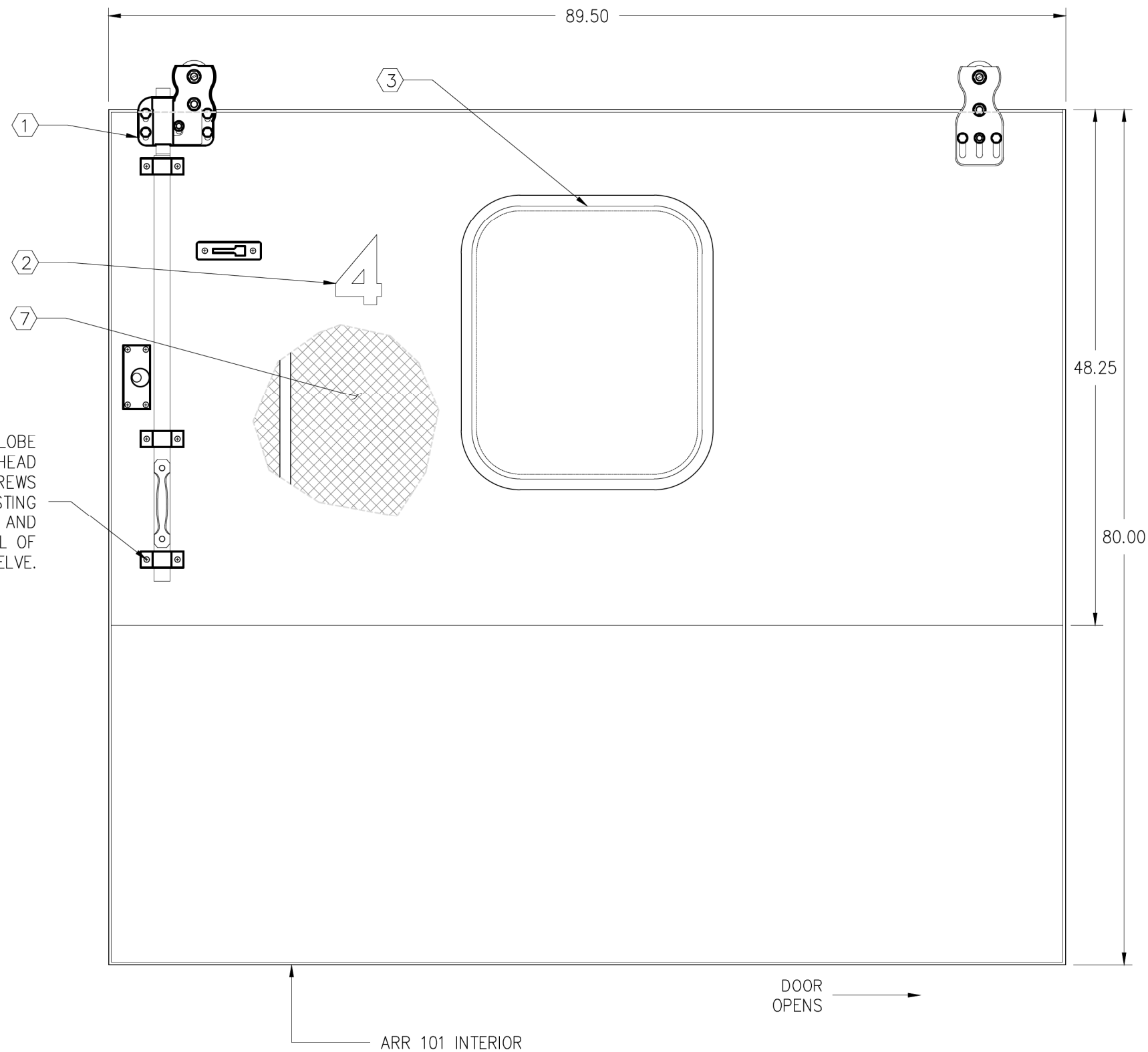


REMOVE GRILLE AND INVESTIGATE DECAYED SUPPORTS (SEE PHOTO), DOOR TRACK AND CAR LINING. TYPICAL OF FOUR LOCATIONS.

A
2 **SIDE LOADING DOOR FRAMING ELEVATION - ADD. ALT. #1**
VIEW FROM INTERIOR

 ALASKA RAILROAD CORPORATION ENGINEERING SERVICES P.O. BOX 107500, ANCHORAGE, ALASKA 99510-7500		
PROJECT : MOTIVE POWER AND EQUIPMENT PASSENGER EQUIPMENT		
TITLE: ARR 101 REPAIR AND PAINT INTERIOR DOOR GRILLE REPAIRS		
DESIGNED BY: ARR	SCALE : NO SCALE	AFE NO.: 2023 FTA: 11070
DRAWN BY: ARR	DATE : JULY 2023	ACAD FILE:
CHECKED BY: ARR		DWG NO. 2 OF 4
APPROVED BY: ARR		

P:\Engineering\Motive Power and Equipment\2. Passenger\Passenger Equipment Rehab\2023 Projects\ARR 101 Paint and Repairs\ARR 101 Bagcar Paint and Repairs.cwg



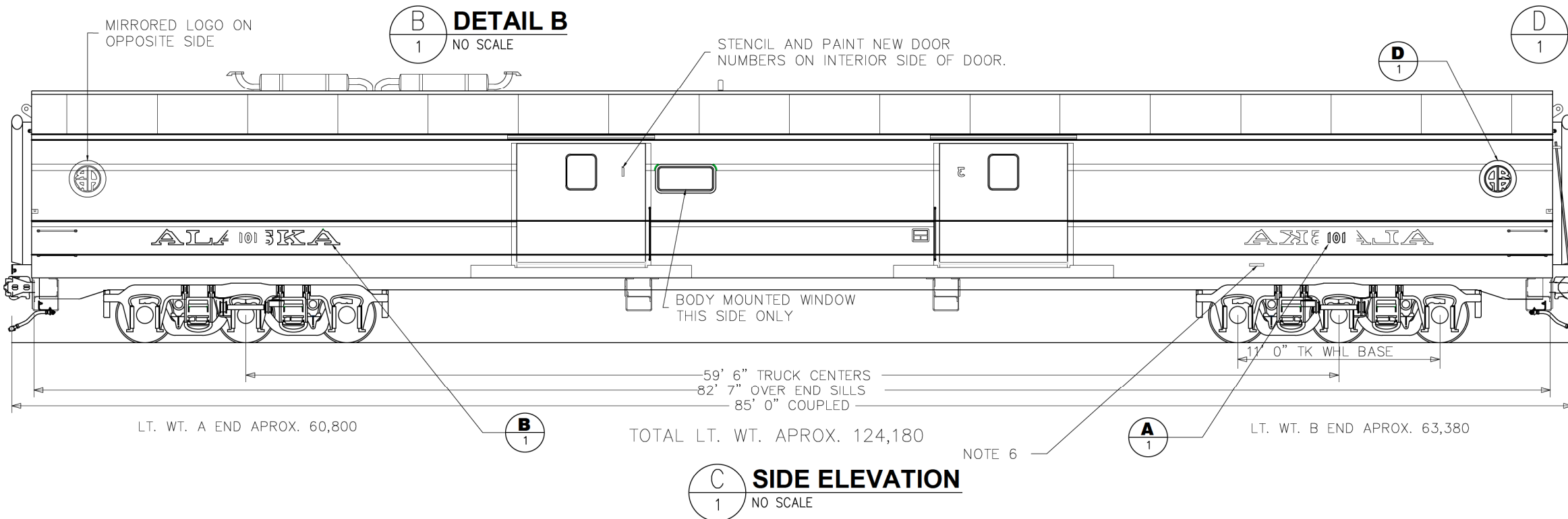
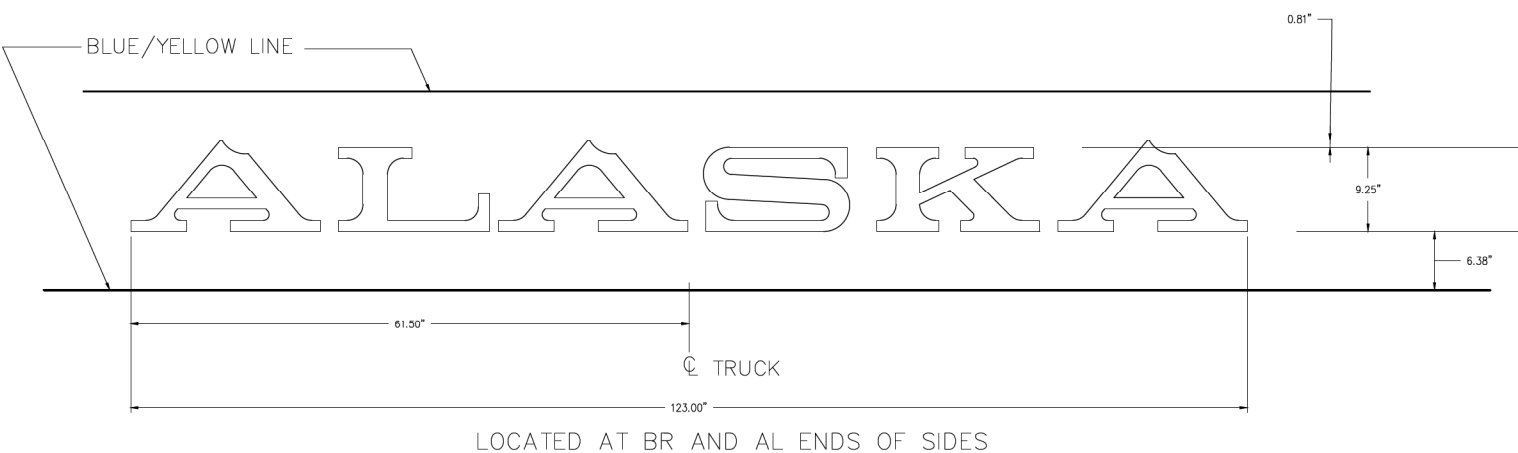
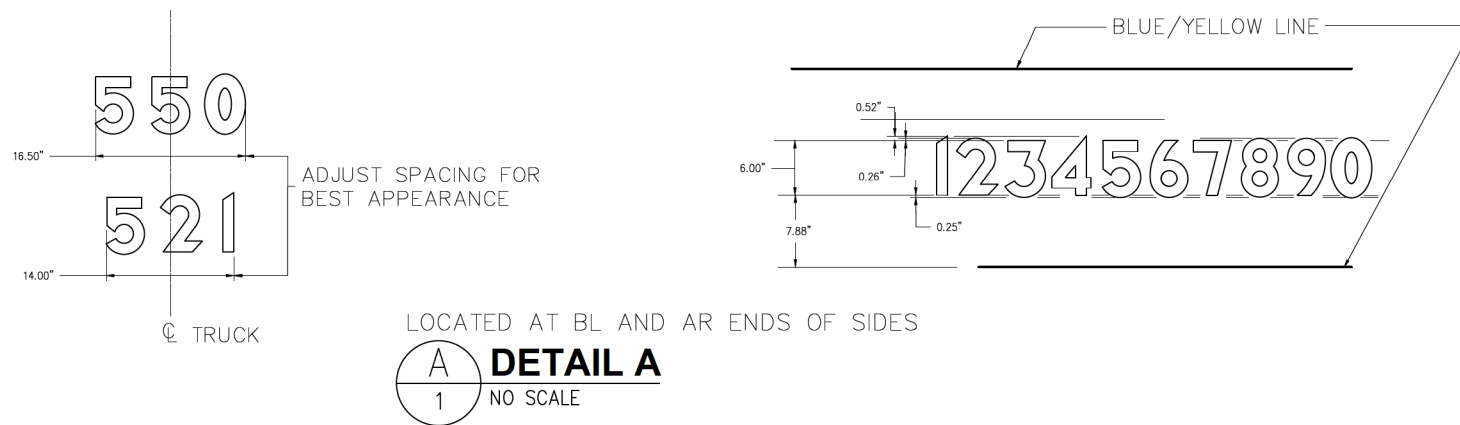
NOTES:

1. ORIGINAL DOOR HARDWARE TO BE REINSTALLED ONTO NEW DOOR (ADD. ALT. #1 OR BY OTHERS) BY PAINT CONTRACTOR.
2. PAINT DOOR NUMBERS ON INSIDE OF DOORS.
3. WINDOW INSTALLATION BY PAINT CONTRACTOR.
4. 18 GAUGE SHEET METAL INTERIOR TO HAVE GALVANIZED STEEL FINISH.
5. 18 GAUGE SHEET METAL EXTERIOR TO HAVE PAINTED FINISH FOLLOWING FABRICATION (ADD. ALT. #1 OR BY OTHERS).
6. FRAMING TO HAVE PAINTED FINISH FOLLOWING WELDING BY FABRICATOR.
7. DOOR CAVITIES TO BE FILLED WITH 1" MINERAL WOOL INSULATION BY FABRICATOR PRIOR TO INSTALLATION OF INTERIOR SHEETING.
8. DOOR 1 & 4 SHOWN; DOORS 2 & 3 ARE MIRROR IMAGE OF SHOWN, OPENING IN OPPOSITE DIRECTION.

E
1
DOOR INTERIOR ELEVATION
 NO SCALE

ALASKA RAILROAD CORPORATION ENGINEERING SERVICES <small>P.O. BOX 107500, ANCHORAGE, ALASKA 99510-7500</small>		
PROJECT : MOTIVE POWER AND EQUIPMENT PASSENGER EQUIPMENT		
TITLE: ARR 101 REPAIR AND PAINT SLIDING DOOR ASSEMBLY		
DESIGNED BY: ARR	SCALE : NO SCALE	AFE NO.: 2023 FTA: 11070
DRAWN BY: ARR		ACAD FILE:
CHECKED BY: ARR	DATE : JULY 2023	DWG NO. 3 OF 4
APPROVED BY: ARR		

P:\Engineering\Motive Power and Equipment\2_Passenger\Passenger Equipment Rehab\2023 Projects\ARR 101 Paint and Repairs\ARR 101 Bagcar Paint and Repairs.cwg



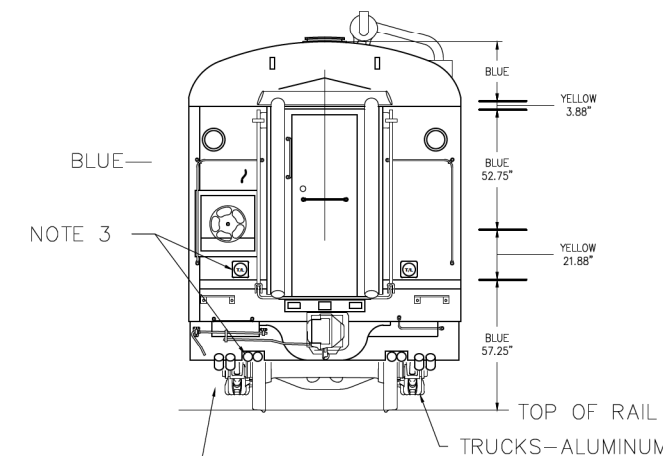
GENERAL NOTES:

- DO NOT PAINT STAINLESS STEEL APPLIANCES, OTHER BRIGHT METAL, COUPLERS OR WHEELS.
- ALL PAINTING TO BE IN ACCORDANCE WITH ARR SPECIFICATION FOR PAINTING OF ROLLING STOCK.
- COLOR CODE FOR TRAINLINE RECEPTACLES:
 COMMUNICATIONS: LIGHT BLUE
 DUMMY: WHITE
 POWER: RED
 LOCOMOTIVE MU: YELLOW
- DETAILS OF GRAPHICS ARE DOCUMENTED IN THE AUTOCAD FILE OF THIS DRAWING.
- DIMENSIONS SHOWN IN DETAIL E APPLY AT BODY BOLSTERS. LINES ARE TO FOLLOW CARBODY CAMBER.
- AEI TAGS (2) ARE SIDE SPECIFIC; MARK AND REPLACE TO SAME SIDE, SAME LOCATION.
- PAINT ALL UNDERCAR EQUIPMENT BLACK, TRUCKS TO BE PAINTED ALUMINUM SILVER.
- STAINLESS STEEL GRAB IRONS TO REMAIN UNPAINTED, MILD STEEL GRAB IRONS MOUNTED TO A OR B ENDS TO BE PAINTED YELLOW.
- DRAWING DOES NOT PURPORT TO SHOW CONSTRUCTION IN ABSOLUTE AND COMPLETE DETAIL.



18.00" VISUAL END OF SIDE SHEET

24" DIAMETER LOGOTYPE.
 VERTICAL POSITION: CENTERED IN SIDE SHEET
 HORIZONTAL POSITION: MAINTAIN 18" (OR AS SPACE PERMITS) FROM VISUAL END OF SIDE (eg CORNER POST OR DOOR JAMB). OMIT IF SPACE DOES NOT PERMIT APPLICATION. LOCATED ONLY AT BL AND AR ENDS OF SIDES.



ALASKA RAILROAD CORPORATION ENGINEERING SERVICES P.O. BOX 107500, ANCHORAGE, ALASKA 99510-7500		
PROJECT : MOTIVE POWER AND EQUIPMENT PASSENGER EQUIPMENT		
TITLE: ARR 101 PAINT AND REPAIRS PAINT AND STENCIL ARRANGEMENT		
DESIGNED BY: ARR	SCALE : NO SCALE	AFE NO.: 2023 FTA: 11070
DRAWN BY: ARR	DATE : JULY 2023	ACAD FILE:
CHECKED BY: ARR		DWG NO. 4 OF 4
APPROVED BY: ARR		