



GENERAL NOTES

A FOR MATERIAL SELECTIONS SEE THE COLOR LIST ON I-604 AND FINISH SCHEDULE ON I-602 THROUGH I-603.

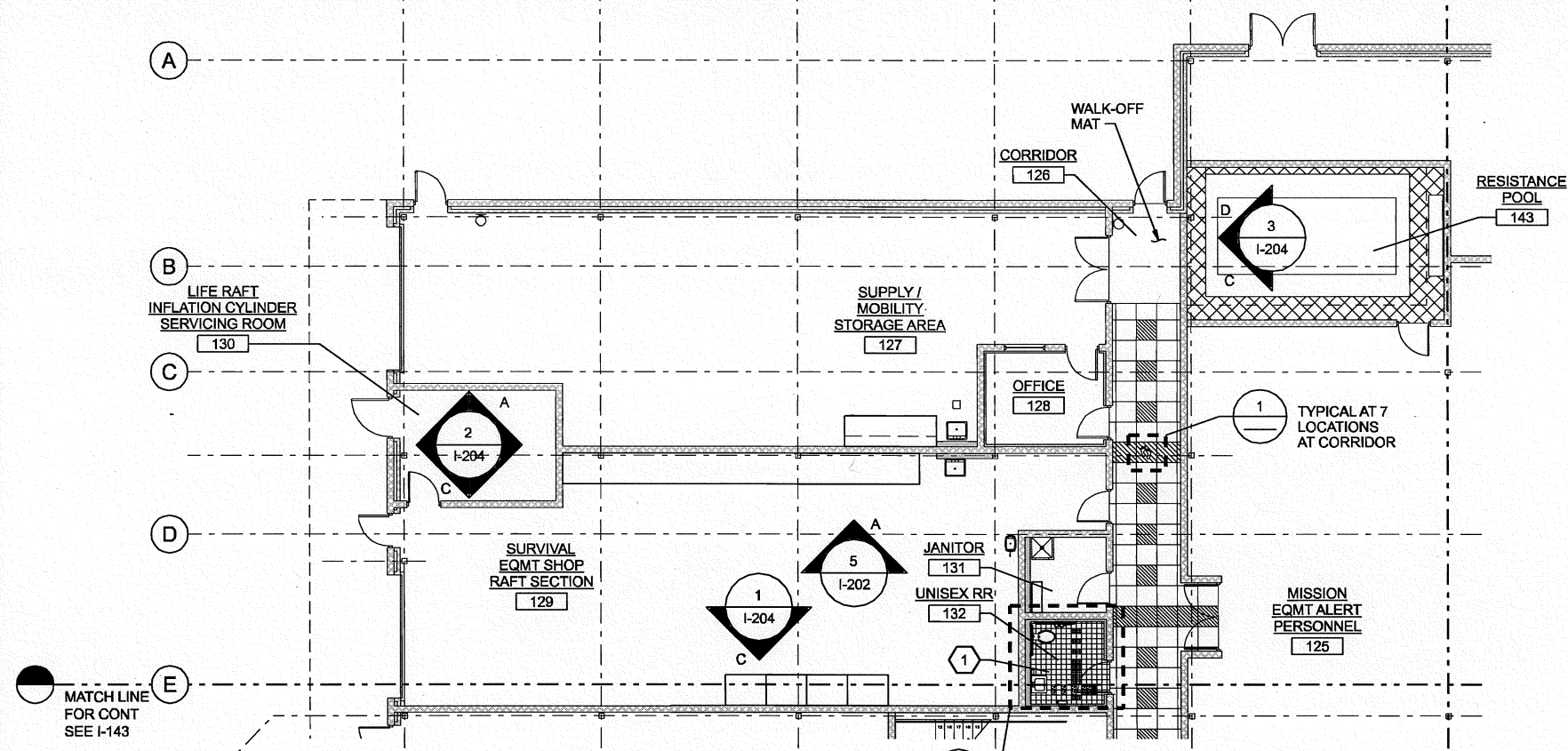
KEYED NOTES

1 SEE ENLARGED PLANS ON I-401 FOR INTERIOR ELEVATION DESIGNATION.

LEGEND

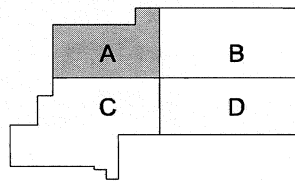
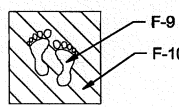
D A
C B
LETTER DESIGNATION FOR ELEVATION IS TYPICAL FOR LOCATION AND IS FOR USE IN DETERMINING ELEVATION LOCATION

- TYPICAL TILE PATTERN- SEE FINISH SCHEDULE AND COLOR LIST FOR MATERIAL SELECTION FOR EACH ROOM
- F-2 FLOOR - CARPET BORDER
- F-3 FLOOR - SHEET VINYL
- F-5 FLOOR - VCT
- F-6 FLOOR - VCT
- F-9 FLOOR - RUBBER TILE
- F-12 FLOOR - CERAMIC TILE
- F-13 FLOOR - CERAMIC TILE
- F-19 FLOOR - CERAMIC TILE
- F-20 FLOOR - RESILIENT GYMNASIUM
- F-22 FLOOR - RUBBER SPORT
- F-28 FLOOR - RUBBER FLOORING
- W-4 WALL - CERAMIC TILE
- W-5 WALL - CERAMIC TILE
- W-10 WALL - CERAMIC TILE
- DENOTES ACCENT WALL COLOR LOCATION
- DENOTES CT ACCENT WALL PATTERN LOCATION



FIRST FLOOR PLAN - AREA A
1:100

1 FLOOR DETAIL
NTS



REGISTERED ARCHITECT
4191
Wayne D. Goebas
LUGEN, OR
STATE OF OREGON
Wayne D. Goebas, A.I.A.
ARCHITECT for CH2M HILL

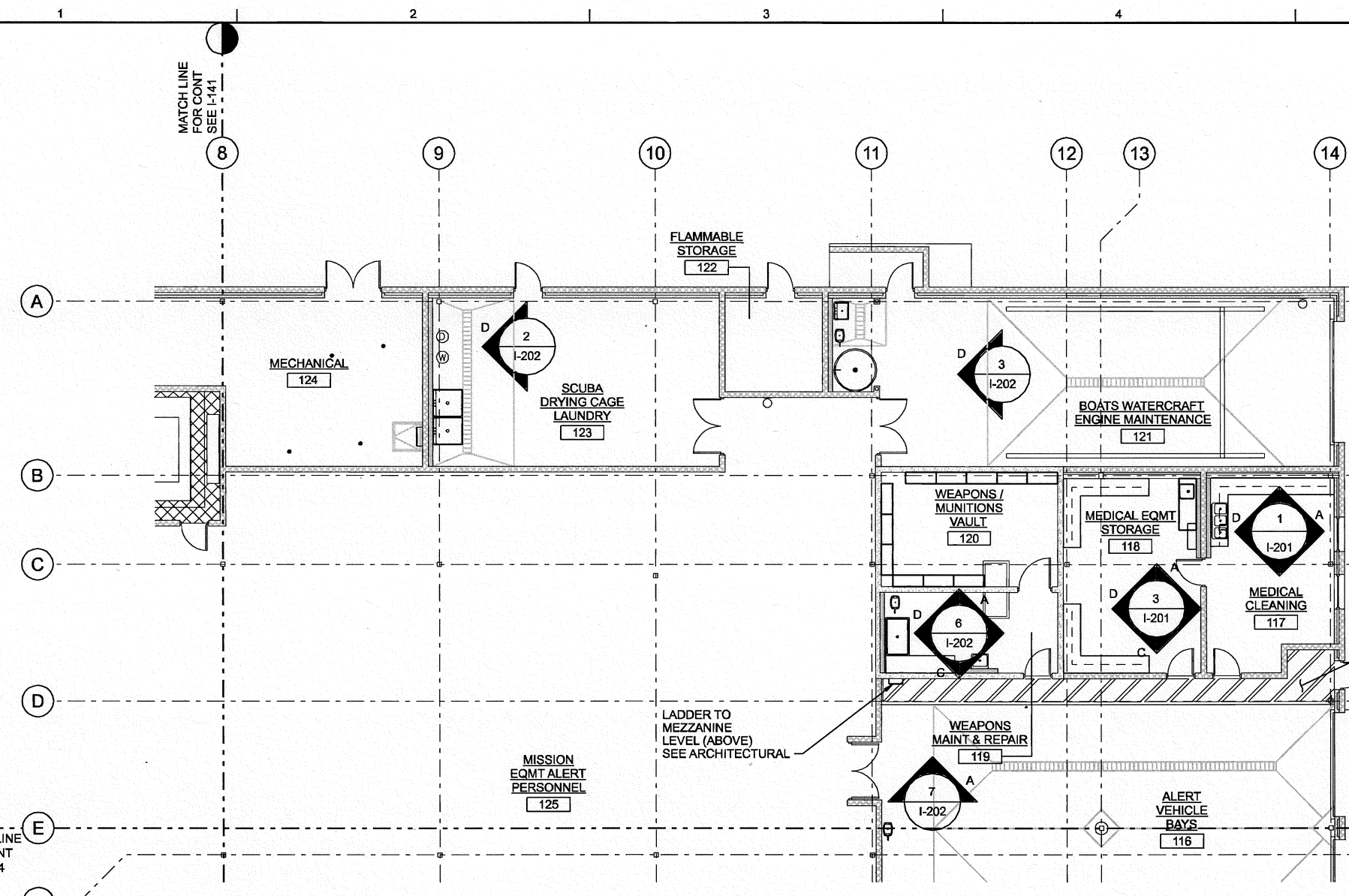
NO.	DATE	DESCRIPTION	DR	CHK	BY	APVD
			C STEEN	J HANSEN	J HANSEN	J ALTO

ALASKA AIR NATIONAL GUARD
176th WING RELOCATION
PARARESQUE OPERATIONS
PROJECT DO 2201 ANG 1

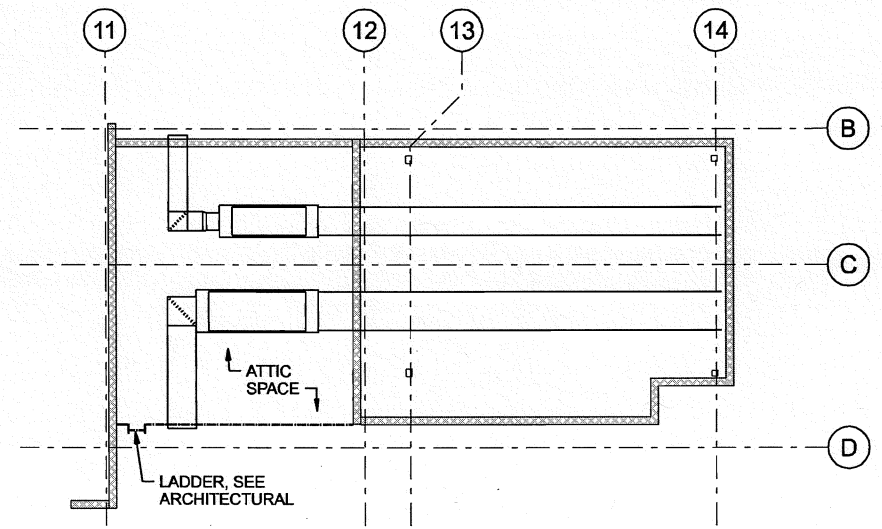
CH2MHILL
PARARESQUE OPERATIONS
INTERIORS
FIRST FLOOR PLAN
AREA A

DATE	APRIL 2008
PROJ	351441
DWG	I-141
SHEET	141

REUSE OF DOCUMENTS: THIS DOCUMENT AND THE IDEAS AND DESIGNS INCORPORATED HEREIN, AS AN INSTRUMENT OF PROFESSIONAL SERVICE, IS THE PROPERTY OF CH2MHILL AND IS NOT TO BE USED, IN WHOLE OR IN PART, FOR ANY OTHER PROJECT WITHOUT THE WRITTEN AUTHORIZATION OF CH2MHILL.



FIRST FLOOR PLAN - AREA B
1:100



MEZZANINE PLAN
1:100

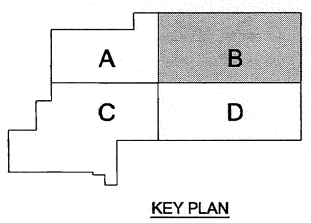
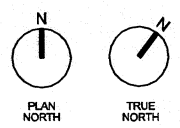
GENERAL NOTES
 A FOR MATERIAL SELECTIONS SEE THE COLOR LIST ON I-604 AND FINISH SCHEDULE ON I-602 THROUGH I-603.
 B FOR LEGEND REFER TO I-141.



NO.	DATE	DESCRIPTION	BY	APPROVED
1			J. ALTO	
2			J. HANSEN	
3			C. STEEN	
4			C. STEEN	
5			C. STEEN	
6			C. STEEN	
7			C. STEEN	
8			C. STEEN	
9			C. STEEN	
10			C. STEEN	
11			C. STEEN	
12			C. STEEN	
13			C. STEEN	
14			C. STEEN	

ALASKA AIR NATIONAL GUARD
 176th WING RELOCATION
 PARARESCUE OPERATIONS
 PROJECT DO 2201 ANG 1

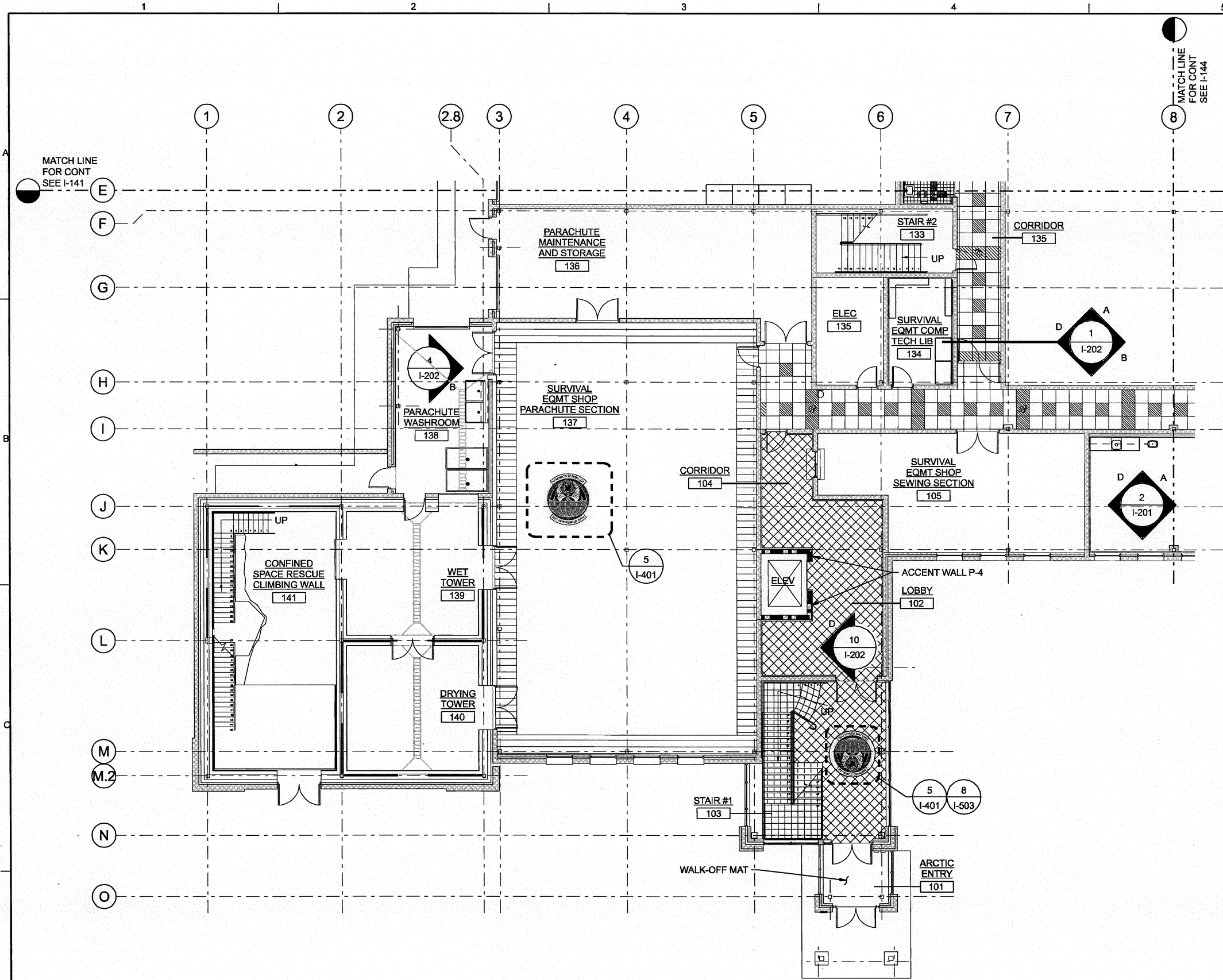
CH2MHILL
 PARARESCUE OPERATIONS
 INTERIORS
 FIRST FLOOR PLAN
 AREA B



REGISTERED ARCHITECT
 4191
 WAYNE D. GOEAS
 EUGENE, OREGON
 STATE OF OREGON
 Wayne D. Goetas, A.I.A.
 ARCHITECT FOR CH2M HILL

VERIFY SCALE	
BAR IS 25mm ON ORIGINAL DRAWING	
DATE	APRIL 2008
PROJ	351441
DWG	I-142
SHEET	142

REUSE OF DOCUMENTS: THIS DOCUMENT AND THE IDEAS AND DESIGNS INCORPORATED HEREIN AS AN INSTRUMENT OF PROFESSIONAL SERVICE IS THE PROPERTY OF CH2MHILL AND IS NOT TO BE USED, IN WHOLE OR IN PART, FOR ANY OTHER PROJECT WITHOUT THE WRITTEN AUTHORIZATION OF CH2MHILL.



FIRST FLOOR PLAN - AREA C
1:100

GENERAL NOTES
 A FOR MATERIAL SELECTIONS SEE THE COLOR LIST ON I-604 AND FINISH SCHEDULE ON I-602 THROUGH I-603.
 B FOR LEGEND REFER TO I-141.

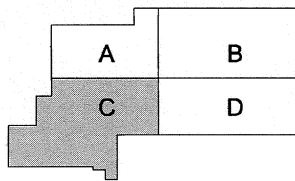
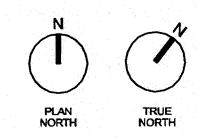


APVR	N	BY	APVD	J ALTO
DESCRIPTION	REVISION	CHK	APVD	J HANSEN
NO.	DATE	NO.	DATE	DR
DSGN	C STEEN	DR	C STEEN	J HANSEN

ALASKA AIR NATIONAL GUARD
 176th WING RELOCATION
 PARARESQUE OPERATIONS
 PROJECT DO 2201 ANG 1

CH2MHILL
 PARARESQUE OPERATIONS
 INTERIORS
 FIRST FLOOR PLAN
 AREA C

VERIFY SCALE	APRIL 2008
BAR IS 25mm ON ORIGINAL DRAWING.	351441
DATE	1-143
PROJ	143
DWG	
SHEET	



REGISTERED ARCHITECT
 4191
 WAYNE D. GOODES
 ARCHITECT FOR CH2M HILL
 WAYNE D. GOODES, A.I.A.
 ARCHITECT FOR CH2M HILL

REUSE OF DOCUMENTS: THIS DOCUMENT AND THE IDEAS AND DESIGN INCORPORATED HEREIN AS AN INSTRUMENT OF PROFESSIONAL SERVICE IS THE PROPERTY OF CH2MHILL AND IS NOT TO BE USED, IN WHOLE OR IN PART, FOR ANY OTHER PROJECT WITHOUT THE WRITTEN AUTHORIZATION OF CH2MHILL.

ISSUED FOR TYPE B FINAL

1 2 3 4 5 6

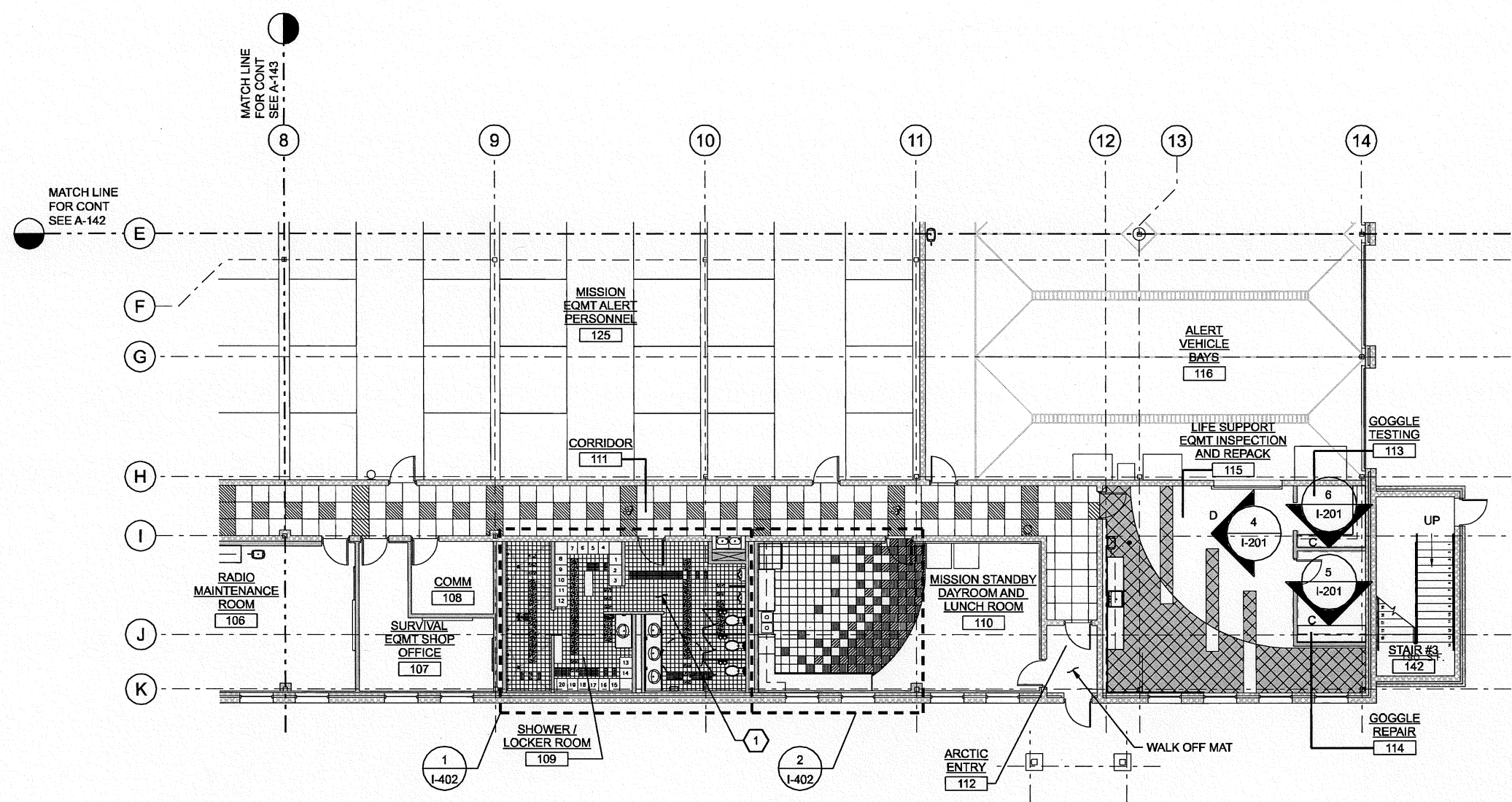


GENERAL NOTES

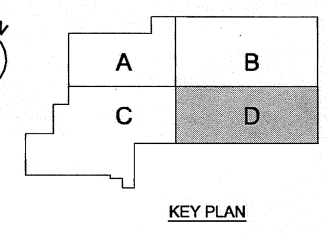
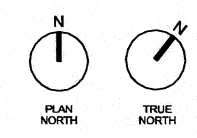
- A FOR MATERIAL SELECTIONS SEE THE COLOR LIST ON I-604 AND FINISH SCHEDULE ON I-602 THROUGH I-603.
- B FOR LEGEND REFER TO I-141.

KEYED NOTES

- 1 SEE ENLARGED PLANS ON I-401 FOR INTERIOR ELEVATION DESIGNATION.



FIRST FLOOR PLAN - AREA D
1:100



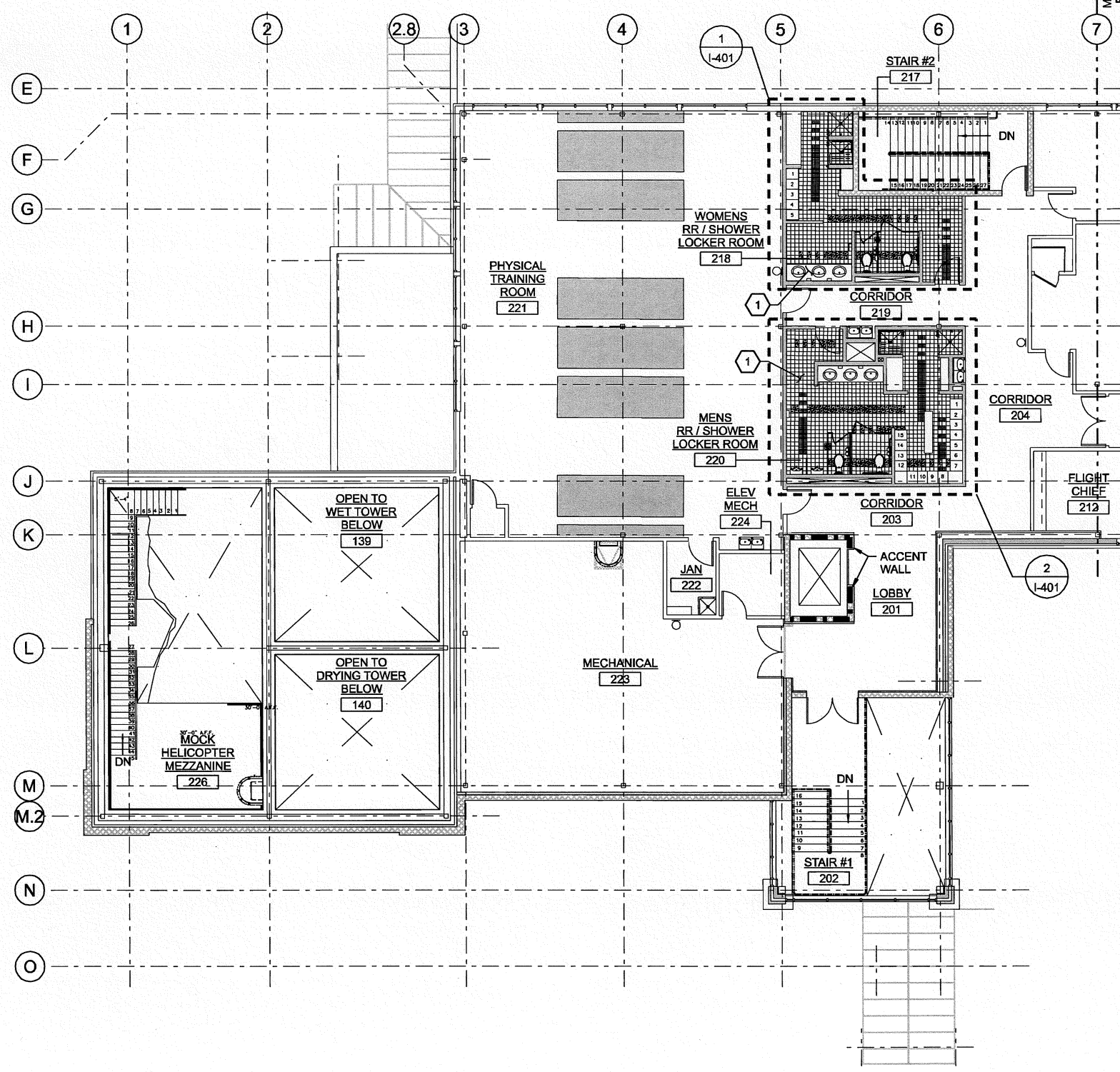
REGISTERED ARCHITECT
4191
WAYNE D. GOETS, A.I.A.
EUGENE, OR
ARCHITECT FOR CH2MHILL

APVR	N	BY	JALTO
DESCRIPTION	REVISION	CHK	J HANSEN
NO.	DATE	DSGN	C STEEN
NO.	DATE	DR	C STEEN

ALASKA AIR NATIONAL GUARD
176th WING RELOCATION
PARARESQUE OPERATIONS
PROJECT DO 2Z01 ANG 1

CH2MHILL
PARARESQUE OPERATIONS
INTERIORS
FIRST FLOOR PLAN
AREA D

DATE	APRIL 2008
PROJ	351441
DWG	I-144
SHEET	144



SECOND FLOOR PLAN - AREA A
1:100

GENERAL NOTES
 A FOR MATERIAL SELECTIONS SEE THE COLOR LIST ON I-604 AND FINISH SCHEDULE ON I-602 THROUGH I-603.
 B FOR LEGEND REFER TO I-141.

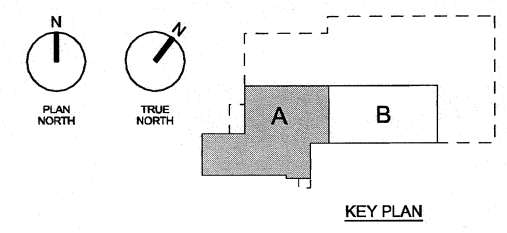
KEYED NOTES
 1 SEE ENLARGED PLANS ON I-401 FOR INTERIOR ELEVATION DESIGNATION.



APVR	N	BY	JALTO
DESCRIPTION	REVISION	CHK	J HANSEN
NO.	DATE	DSGN	C STEEN
NO.	DATE	DR	C STEEN

ALASKA AIR NATIONAL GUARD
 176th WING RELOCATION
 PARARESQUE OPERATIONS
 PROJECT DO 2Z01 ANG 1

CH2MHILL
 PARARESQUE OPERATIONS
 INTERIORS
 SECOND FLOOR PLAN
 AREA A



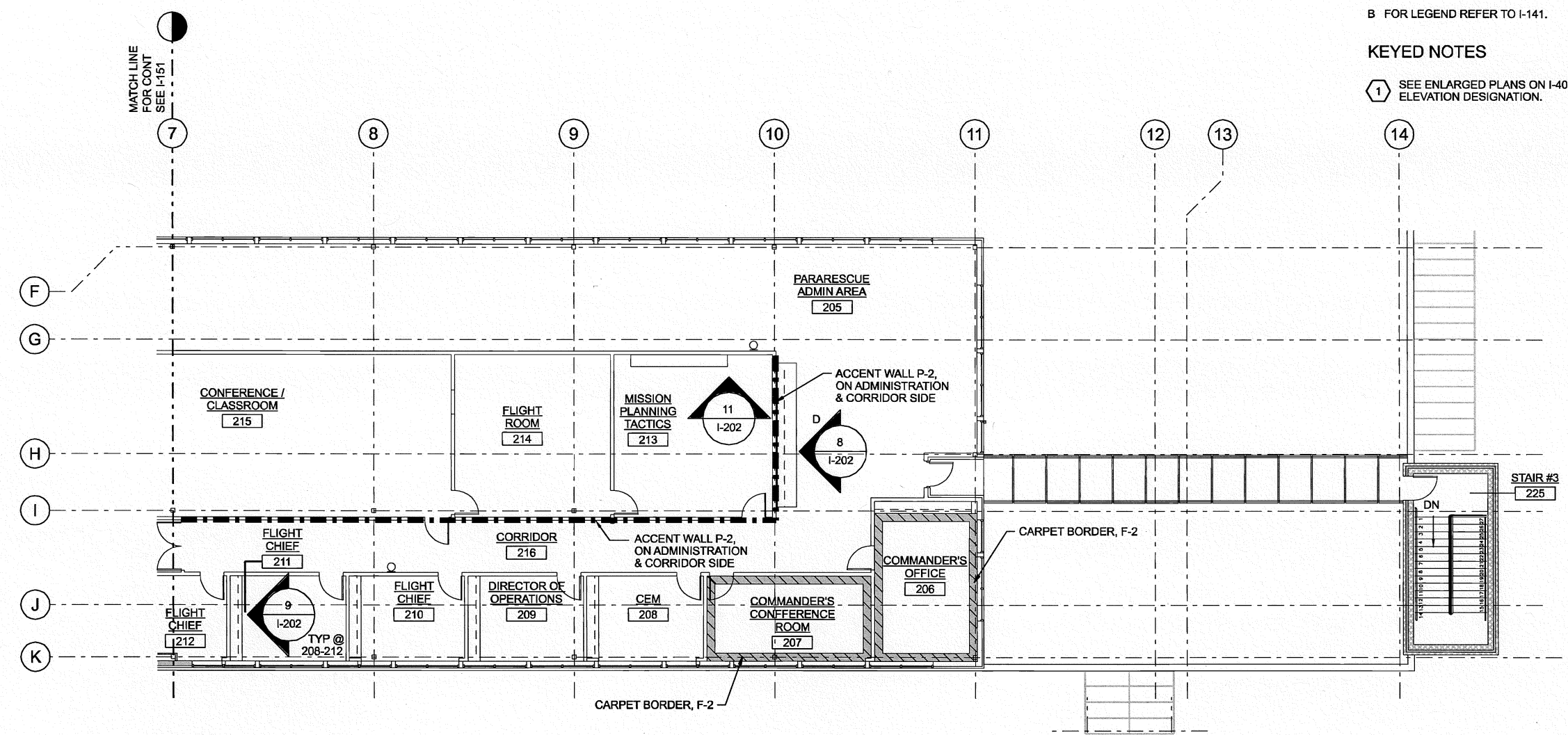
REGISTERED ARCHITECT
 4191
 WAYNE D. GOEAS
 EUGENE, OR
 STATE OF OREGON

Wayne D. Goetas, A.I.A.
 ARCHITECT FOR CH2M HILL

VERIFY SCALE	BAR IS 25mm ON ORIGINAL DRAWING.
DATE	APRIL 2008
PROJ	351441
DWG	I-151
SHEET	145

REUSE OF DOCUMENTS: THIS DOCUMENT AND THE IDEAS AND DESIGNS INCORPORATED HEREIN AS AN INSTRUMENT OF PROFESSIONAL SERVICE IS THE PROPERTY OF CH2M HILL AND IS NOT TO BE USED, IN WHOLE OR IN PART, FOR ANY OTHER PROJECT WITHOUT THE WRITTEN AUTHORIZATION OF CH2M HILL.

1 2 3 4 5 6



SECOND FLOOR PLAN - AREA B
1:100

GENERAL NOTES

- A FOR MATERIAL SELECTIONS SEE THE COLOR LIST ON I-604 AND FINISH SCHEDULE ON I-602 THROUGH I-603.
- B FOR LEGEND REFER TO I-141.

KEYED NOTES

- 1 SEE ENLARGED PLANS ON I-401 FOR INTERIOR ELEVATION DESIGNATION.

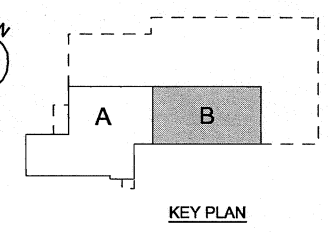


NO.	DATE	DESCRIPTION	BY	CHK

NO.	DATE	DESCRIPTION	BY	CHK

ALASKA AIR NATIONAL GUARD
176th WING RELOCATION
PARARESCUE OPERATIONS
PROJECT DO 2201 ANG 1

DATE	APRIL 2008
PROJ	351441
DWG	I-152
SHEET	146

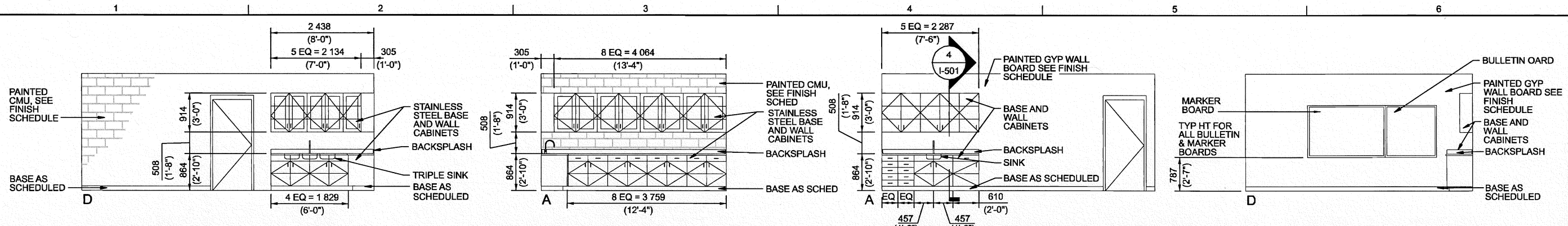


REGISTERED ARCHITECT
4191
WAYNE D. GOETS
EUGENE, OR
STATE OF OREGON

Wayne D. Goets, A.I.A.
ARCHITECT FOR CH2MHILL

VERIFY SCALE
BAR IS 25mm ON ORIGINAL DRAWING
0 25mm

ISSUED FOR TYPE B FINAL



1 MEDICAL CLEANING - 117
1:50
I-142

2 RADIO MAINTENANCE ROOM - 106
1:1
I-144

GENERAL NOTES

A FOR MATERIAL SELECTIONS SEE THE COLOR LIST ON I-604 AND AND FINISH SCHEDULE ON I-602 THROUGH I-603.

B FURNISH / INSTALL BACKING AS REQUIRED FOR CABINETS, WALL MOUNTED EQUIPMENT, ETC. FOLLOW MANUFACTURER RECOMMENDATIONS.

C FOR GF / GI, COORDINATE WITH GOVERNMENT / USER ON ITEMS. FURNISH / INSTALL BACKING AS REQUIRED.

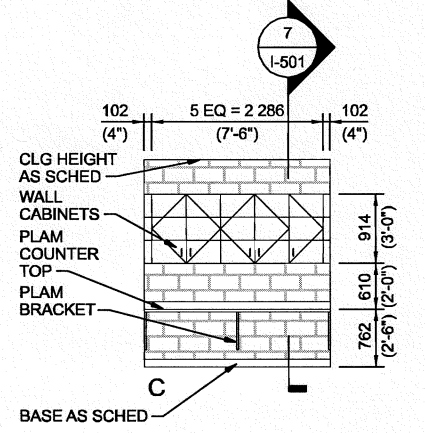
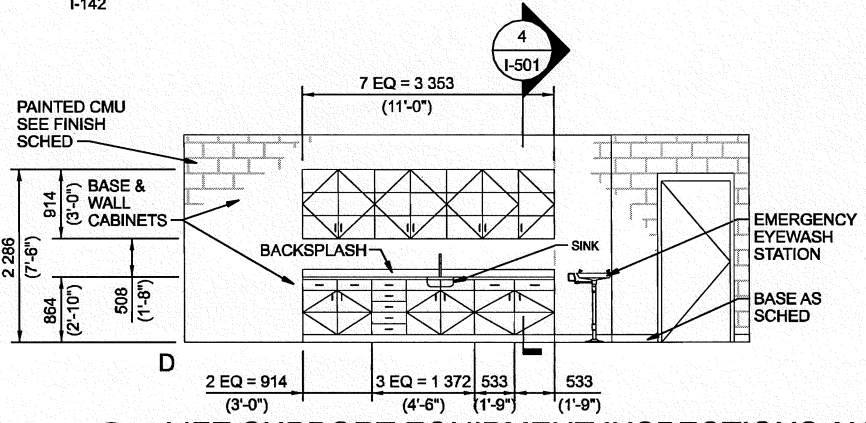
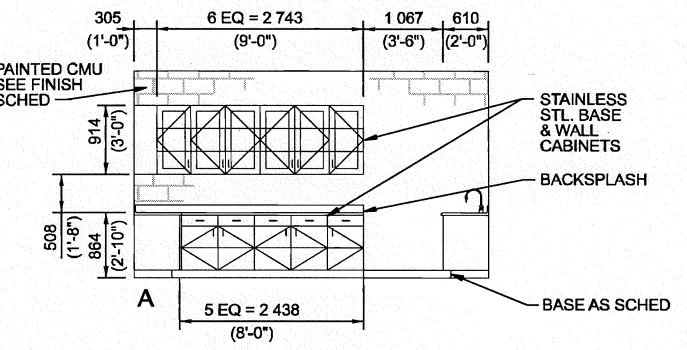
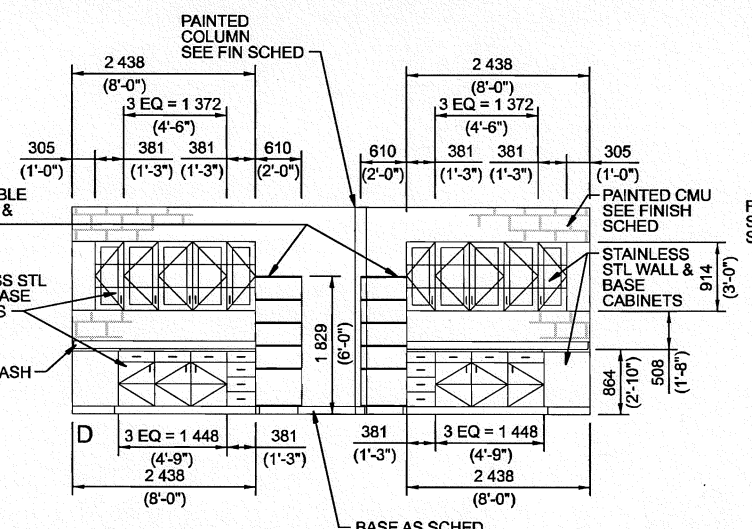
D FOR ASCCESSORY SCHEDULE AND MOUNTING HEIGHTS SEE DWG I-601.

LEGEND

D A LETTER DESIGNATION FOR ELEVATION IS TYPICAL FOR LOCATION AND IS FOR USE IN DETERMINING ELEVATION

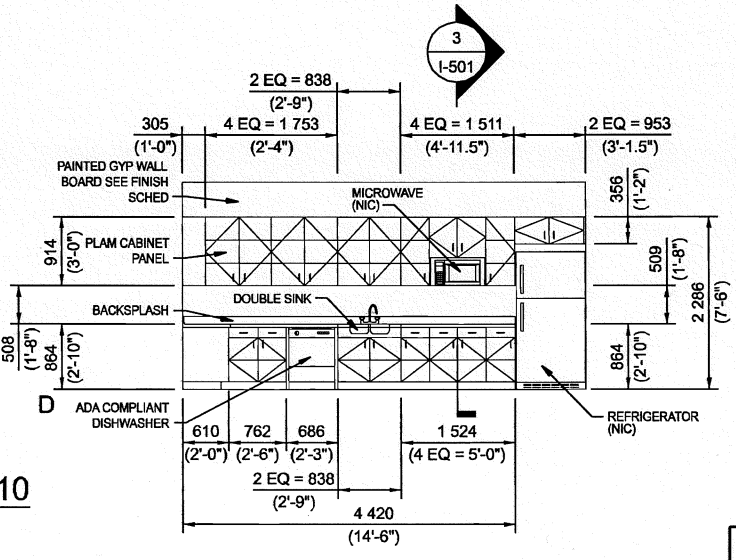
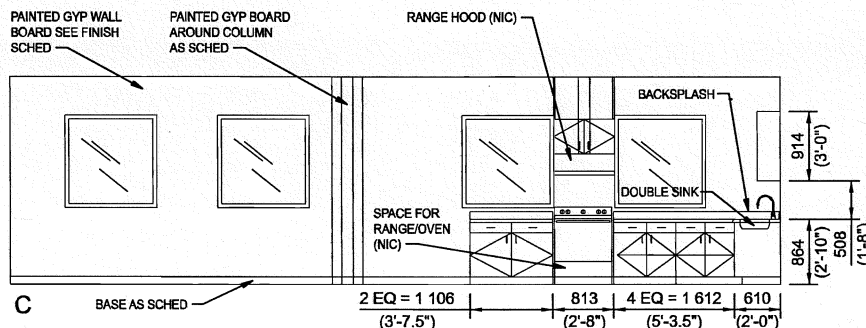
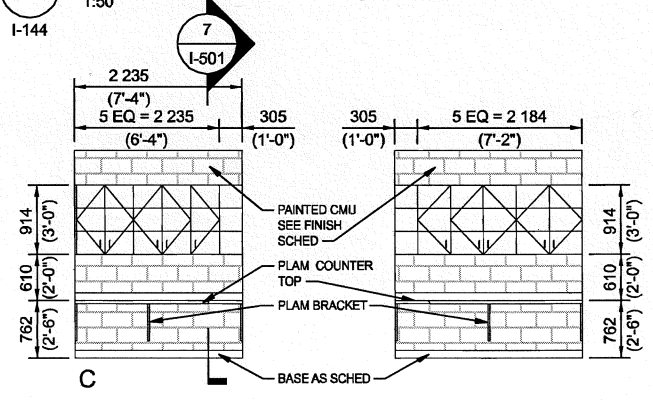
C B LOCATION

3 MEDICAL EQMT STORAGE - 118
1:50
I-142



4 LIFE SUPPORT EQUIPMENT INSPECTIONS AND REPAIR - 115
1:50
I-144

5 GOGGLE REPAIR - 114
1:50
I-144



6 GOGGLE TESTING - 113
1:50
I-144

7 MISSION STANDBY DAYROOM AND LUNCH ROOM - 110
1:50
I-402



APR	N	BY	APVD	J	ALTO
NO.	DATE	NO.	DATE	NO.	DATE
DSGN	CHK	DR	APVD	CHK	APVD
C	STEEN	C	STEEN	J	HANSEN

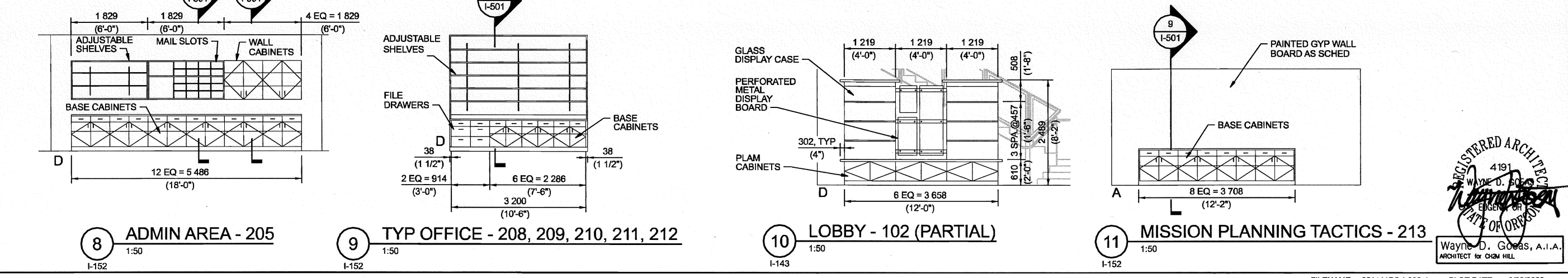
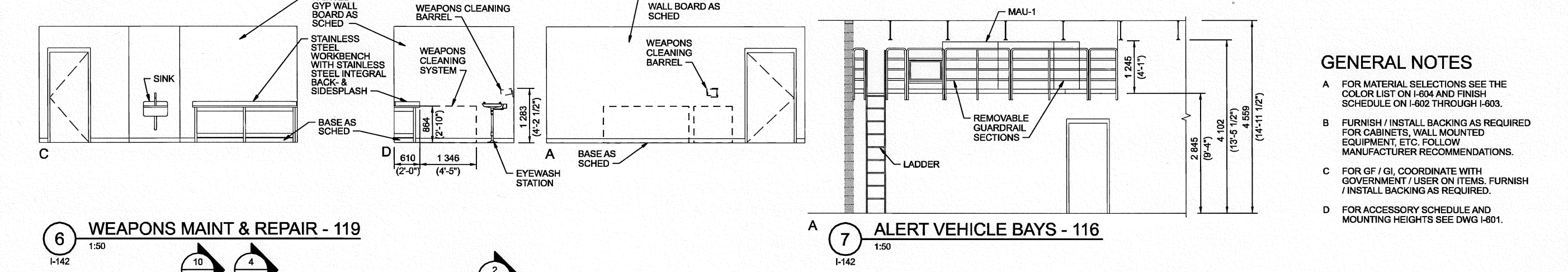
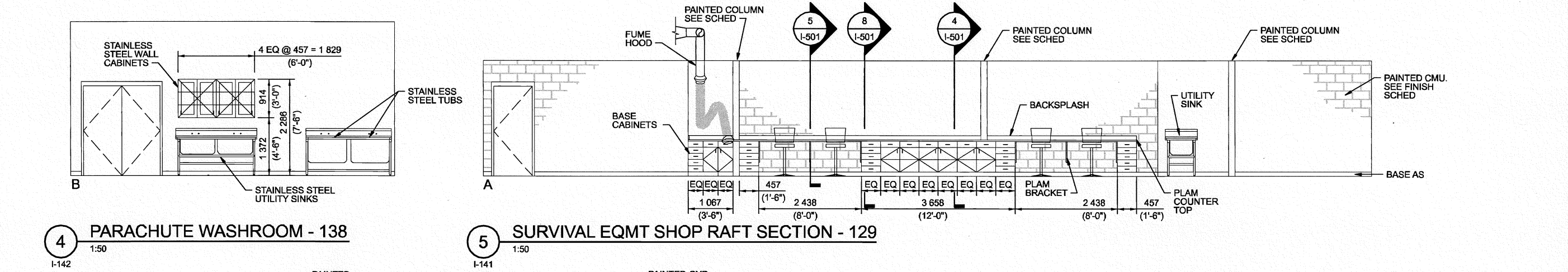
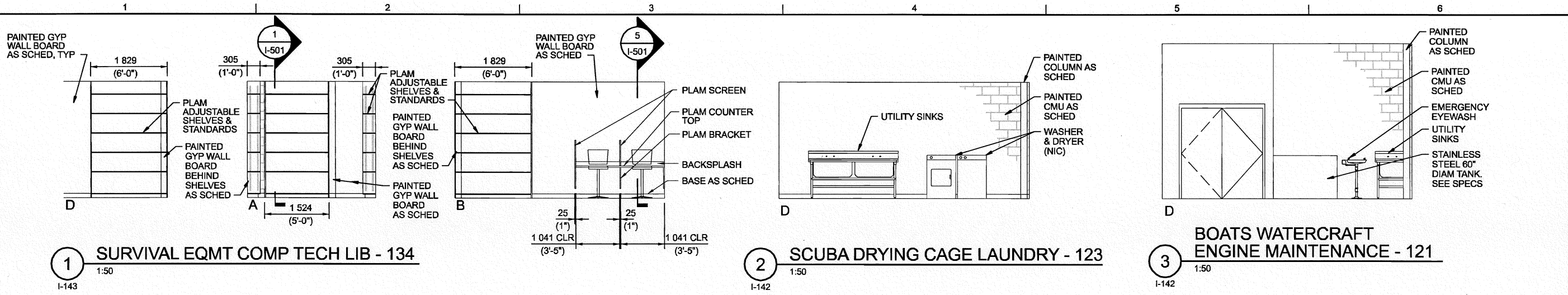
ALASKA AIR NATIONAL GUARD
176th WING RELOCATION
PARASCUE OPERATIONS
PROJECT DO 2201 ANG 1

CH2MHILL

PARASCUE OPERATIONS
INTERIORS
INTERIOR ELEVATIONS

REGISTERED ARCHITECT
4191
WAYNE D. GOODES
ARCHITECT FOR CH2M HILL

VERIFY SCALE	DATE	APRIL 2008
BAR IS 25mm ON ORIGINAL DRAWING	PROJ	351441
0 25mm	DWG	I-201
	SHEET	147




GENERAL NOTES

A FOR MATERIAL SELECTIONS SEE THE COLOR LIST ON I-604 AND FINISH SCHEDULE ON I-602 THROUGH I-603.

B FURNISH / INSTALL BACKING AS REQUIRED FOR CABINETS, WALL MOUNTED EQUIPMENT, ETC. FOLLOW MANUFACTURER RECOMMENDATIONS.

C FOR GF / GI, COORDINATE WITH GOVERNMENT / USER ON ITEMS. FURNISH / INSTALL BACKING AS REQUIRED.

D FOR ACCESSORY SCHEDULE AND MOUNTING HEIGHTS SEE DWG I-601.



ALASKA AIR NATIONAL GUARD
176th WING RELOCATION
PARASCUE OPERATIONS
PROJECT DO 2201 ANG 1

NO.	DATE	DESCRIPTION	BY	APVD	JALTO

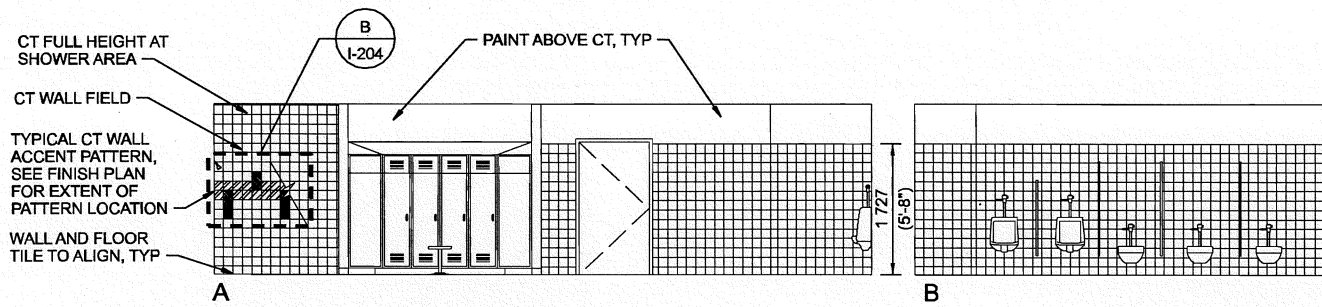
CH2MHILL

PARASCUE OPERATIONS
INTERIORS
INTERIOR ELEVATIONS

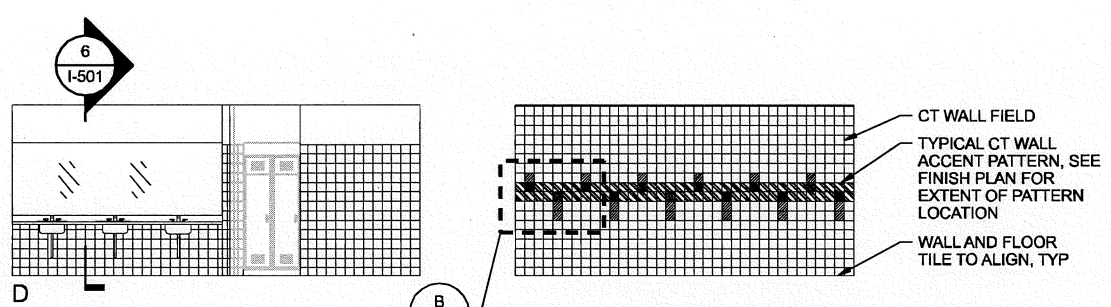
REGISTERED ARCHITECT
4191
Wayne D. Goetas, A.I.A.
ARCHITECT FOR CH2M HILL

VERIFY SCALE	
BAR IS 25mm ON ORIGINAL DRAWING	0 25mm
DATE	APRIL 2008
PROJ	351441
DWG	I-202
SHEET	148

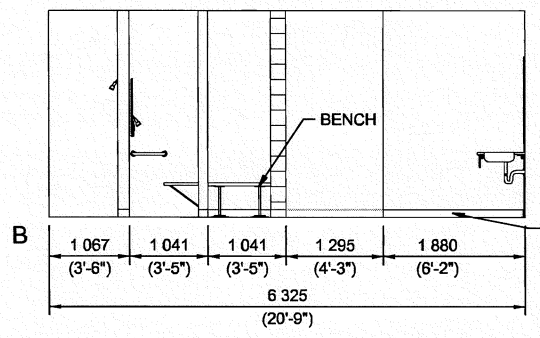
ISSUED FOR TYPE B FINAL



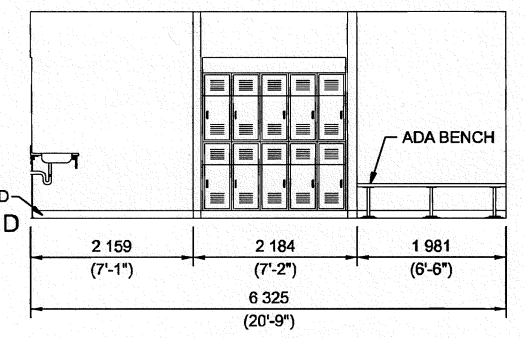
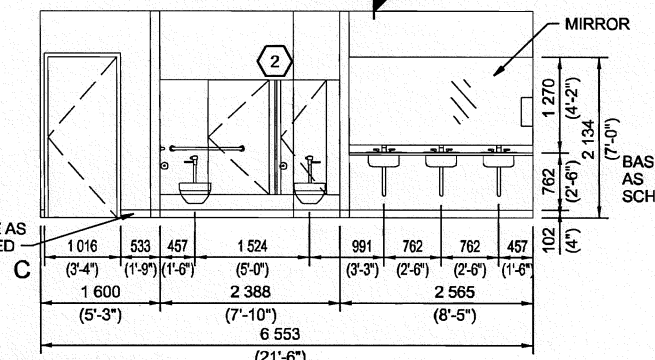
1 RESTROOM/SHOWER/LOCKER - 109
1:50
I-402



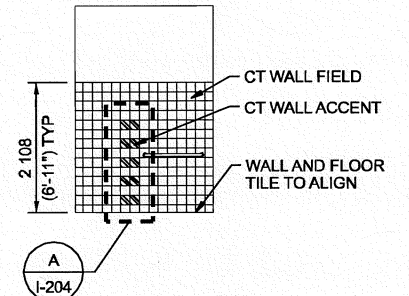
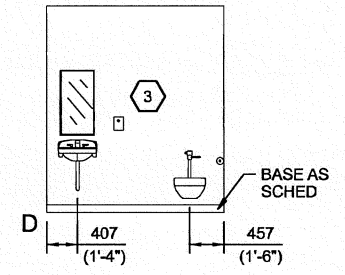
2 TYPICAL WALL TILE PATTERN
1:50



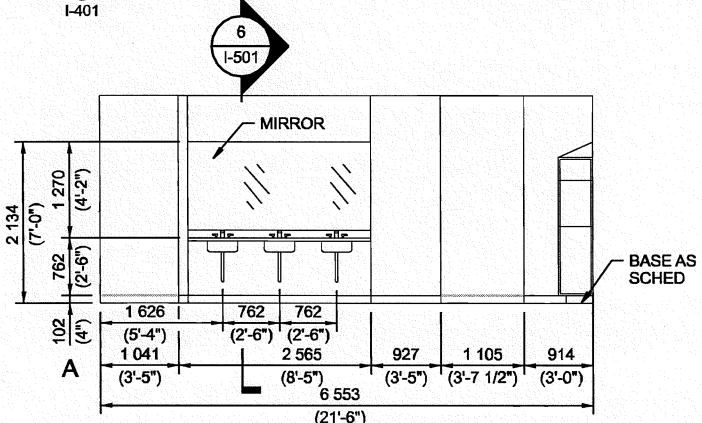
3 RESTROOM/SHOWER/LOCKER ROOM - 218
1:50
I-401



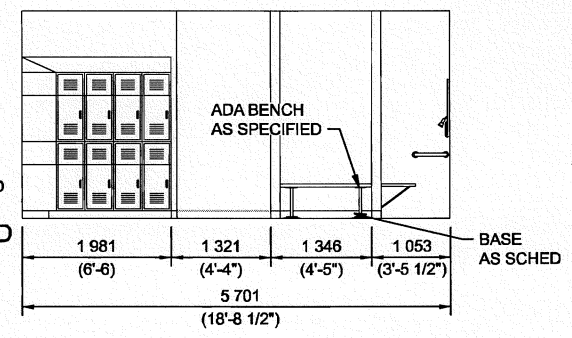
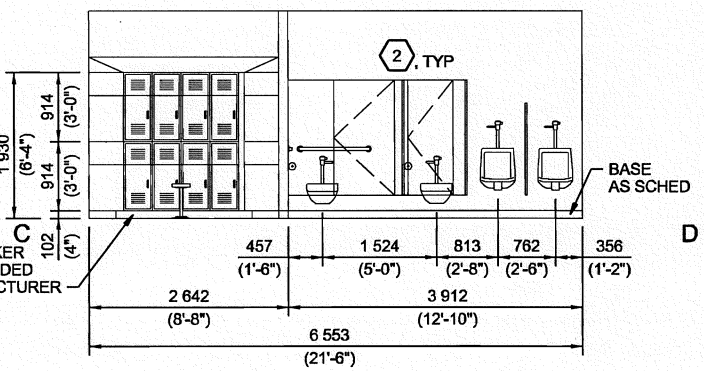
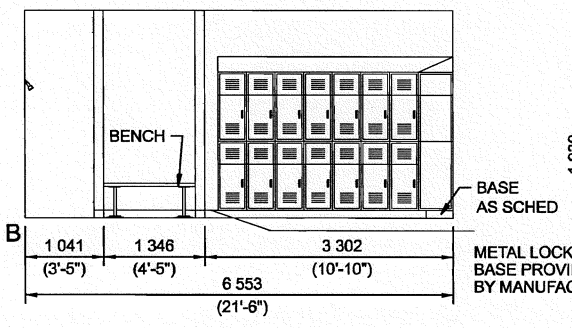
4 UNISEX - 132
1:50
I-401



4A TYPICAL WALL AT UNISEX - 132
1:50



5 RESTROOM/SHOWER/LOCKER ROOM - 220
1:50
I-151



GENERAL NOTES

- A FOR MATERIAL SELECTIONS SEE THE COLOR LIST ON I-604 AND FINISH SCHEDULE ON I-602 THROUGH I-603.
- B PROVIDE CONCEALED BLOCKING IN WALLS AT ALL GRAB BARS, FIXTURES AND ACCESSORIES.
- C FURNISH/INSTALL BACKING AS REQUIRED FOR CABINETS, WALL-MOUNTED EQUIPMENT, ETC. FOLLOW MANUFACTURERS' RECOMMENDATIONS.
- D FOR GF / GI, COORDINATE WITH GOVERNMENT/USER ON ITEMS. FURNISH/INSTALL BACKING AS REQUIRED.
- E FOR ACCESSORY SCHEDULE AND MOUNTING HEIGHTS SEE I-601.
- F GRAB BAR - STRUCTURAL STRENGTH MUST SUPPORT 250 LBS. EDGES SHALL HAVE A MINIMUM RADIUS OF 1/8".
- G INSULATE HOT WATER AND DRAIN PIPES.
- H SHOWER SEAT SHALL BE A FIXED FOLDING TYPE. THE STRUCTURAL STRENGTH OF THE SEAT AND THE ATTACHMENTS MUST SUPPORT 250 LBS.
- I SHOWER SPRAY UNIT SHALL HAVE
- J A HOSE AT LEAST 60" LONG AND CAN BE USED AS A SHOWER HEAD OR A HAND HELD UNIT.
- K FOR LEGEND REFER TO DRAWING I-201.

KEYED NOTES

- 1 SHOWER CURTAIN ROD
- 2 TOILET PARTITION
- 3 SOAP DISPENSER



APVR	N	BY	JALTO
DESCRIPTION	REVISION	CHK	J HANSEN
NO.	DATE	DR	C STEEN
NO.	DATE	DR	C STEEN

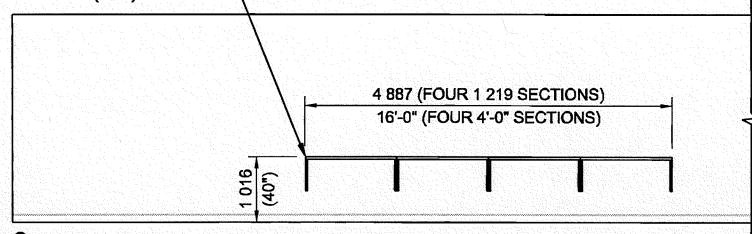
ALASKA AIR NATIONAL GUARD
176th WING RELOCATION
PARARESQUE OPERATIONS
PROJECT DO 2201 ANG 1

CH2MHILL
PARARESQUE OPERATIONS
INTERIORS
INTERIOR ELEVATIONS

REGISTERED ARCHITECT
4191
WAYNE D. GOODE
ARCHITECT FOR CH2M HILL

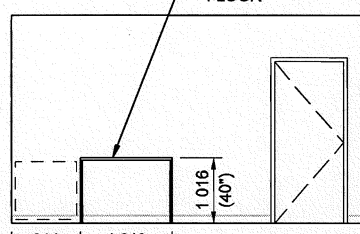
VERIFY SCALE	BAR IS 25mm ON ORIGINAL DRAWING
DATE	APRIL 2008
PROJ	351441
DWG	I-203
SHEET	149

FOLD UP/DOWN WORK BENCH
ATTACHED TO WALL (HINGED)
IN 4 EQUAL SECTIONS
914 W x 1 016 H x 4 877 L
(36" W x 40" H x 16'-0" L)
FOUR 1 219 (4'-0") SECTIONS



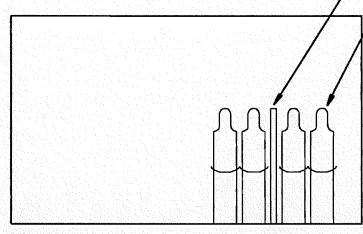
1 SURVIVAL EQMT SHOP RAFT SECTION - 129
1:50
I-141

METAL WORK BENCH
ANCHOR BOLTED TO
FLOOR



2 LIFE RAFT INFLATION CYLINDER SERVICING ROOM - 130
1:50
I-141

PARTITION



GENERAL NOTES

- A FOR MATERIAL SELECTIONS SEE THE COLOR LIST ON I-604 AND AND FINISH SCHEDULE ON I-602 THROUGH I-603.
- B FURNISH / INSTALL BACKING AS REQUIRED FOR CABINETS, WALL MOUNTED EQUIPMENT, ETC. FOLLOW MANUFACTURER RECOMMENDATIONS.
- C FOR GF / GI, COORDINATE WITH GOVERNMENT / USER ON ITEMS. FURNISH / INSTALL BACKING AS REQUIRED.
- D FOR ASCESSORY SCHEDULE AND MOUNTING HEIGHTS SEE DWG I-601.
- E FOR FULL LEGEND REFER TO I-201.

LEGEND

- W-4 WALL - CERAMIC TILE
- W-5 WALL - CERAMIC TILE
- W-10 WALL - CERAMIC TILE



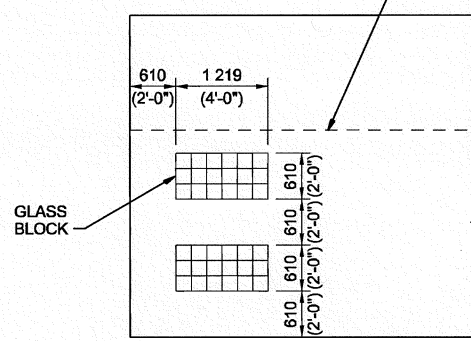
APVR	N	BY	APVD	JALTO
DESCRIPTION	REVISION	CHK	APVD	J HANSEN
NO.	DATE	NO.	DATE	DR
DSGN	C STEEN	DR	C STEEN	DR

ALASKA AIR NATIONAL GUARD
176th WING RELOCATION
PARARESQUE OPERATIONS
PROJECT DO 2Z01 ANG 1

CH2MHILL
PARARESQUE OPERATIONS
INTERIORS
INTERIOR ELEVATIONS

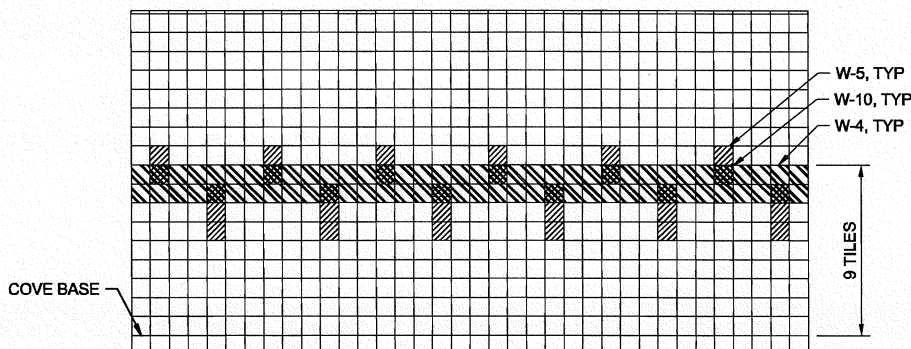
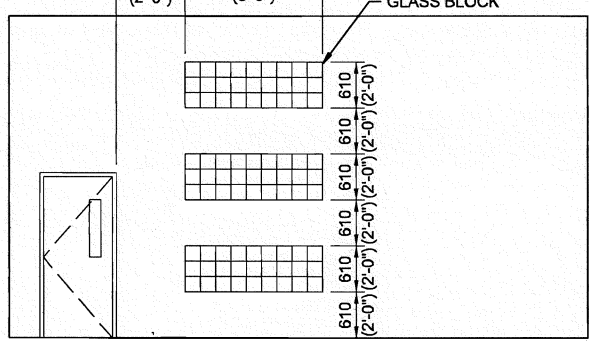
DATE	APRIL 2008
PROJ	351441
DWG	I-204
SHEET	150

LINE OF CORRIDOR
CEILING (BEYOND)

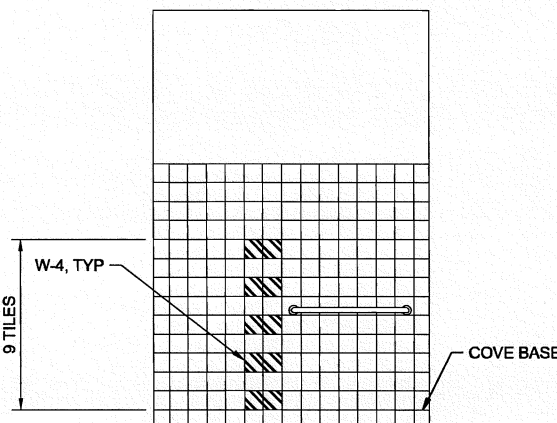


3 RESISTANCE POOL - 143
1:50
I-141

GLASS BLOCK

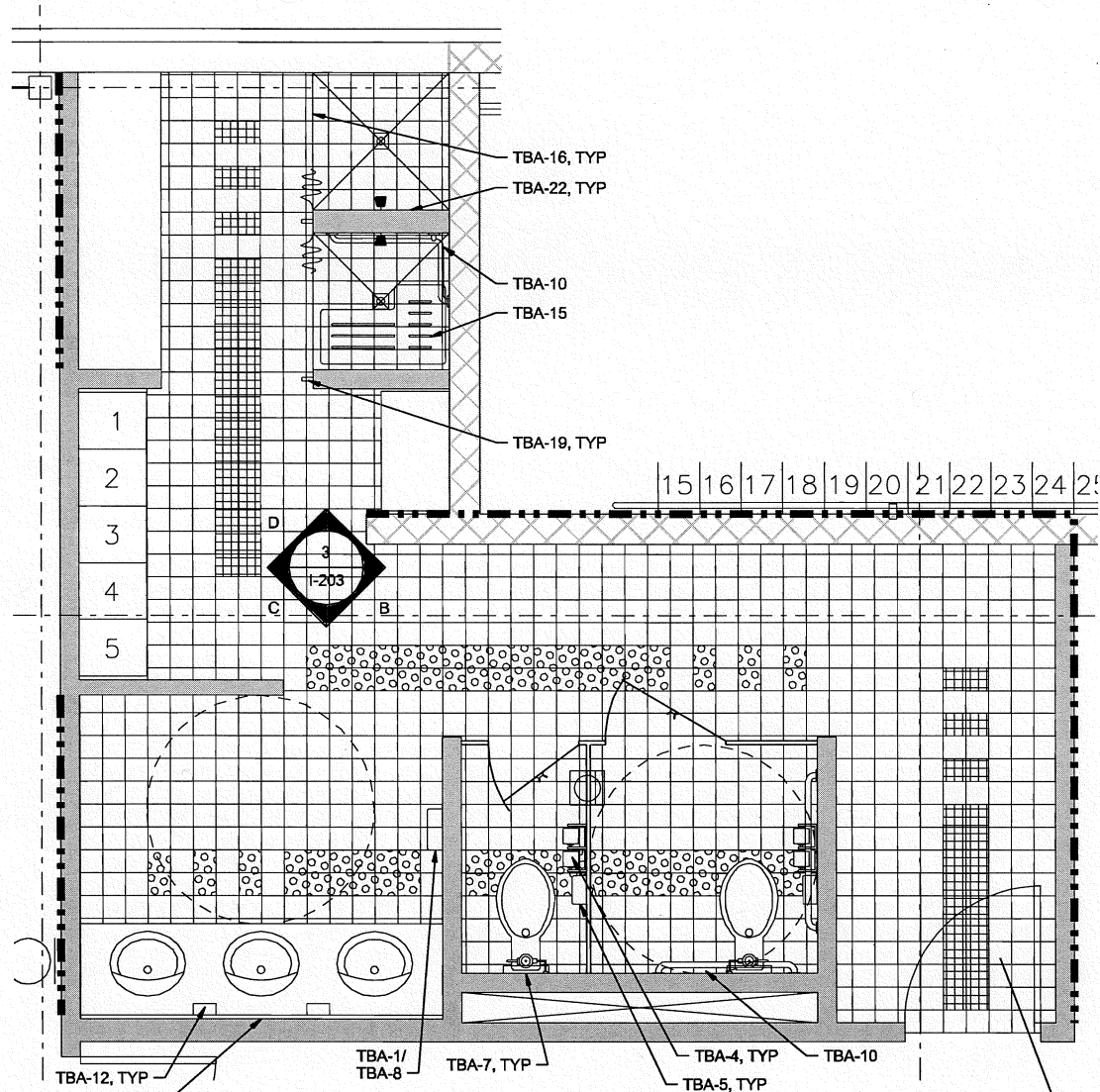


A TILE DETAIL
1:25
I-203

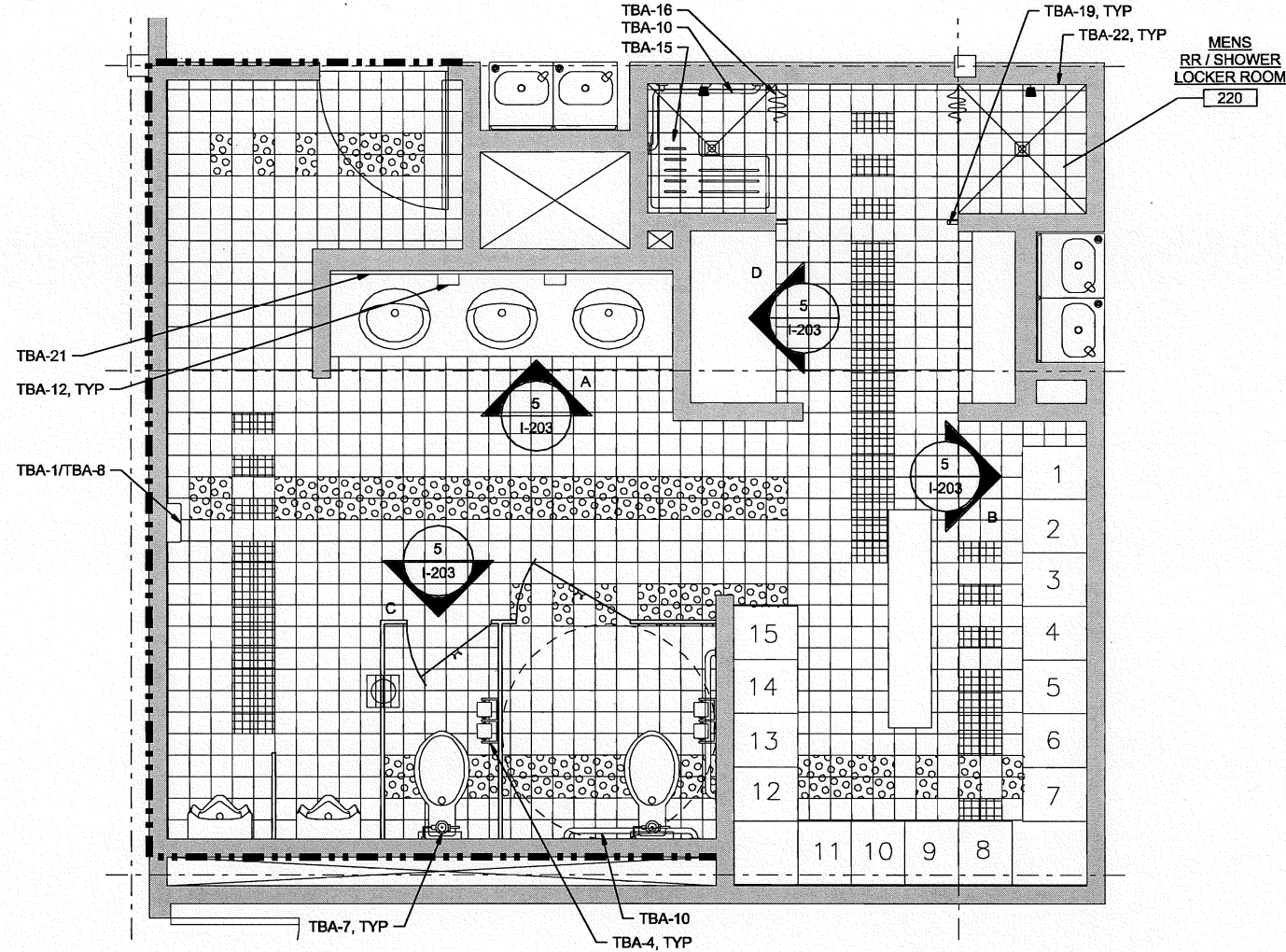


B TILE DETAIL
1:25
I-203

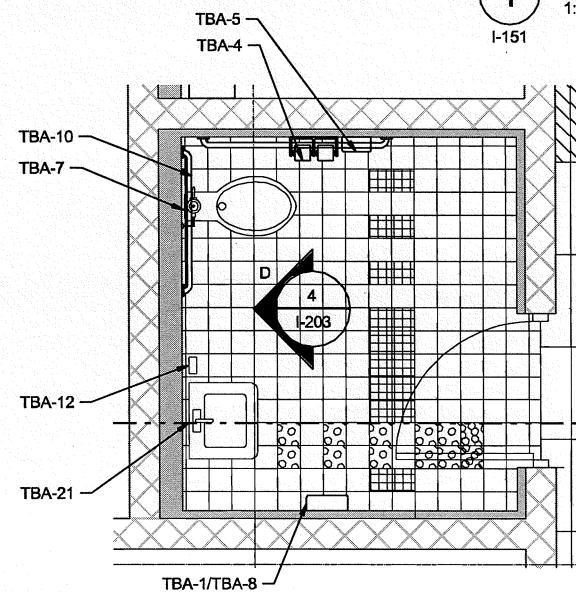
REGISTERED ARCHITECT
4191
WAYNE D. GOEAS
ENGINEER
STATE OF OREGON
Wayne D. Goetas, A.I.A.
ARCHITECT for CH2M HILL



1 ENLARGED PLAN
1:50
I-151



2 ENLARGED PLAN
1:50
I-151



3 ENLARGED PLAN
1:50
I-141



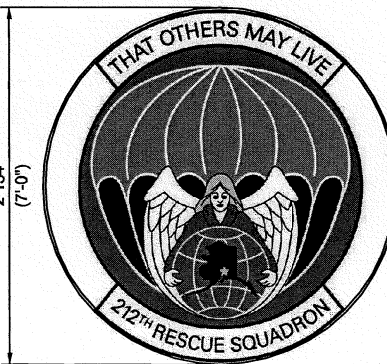
4 DETAIL
NTS

ARCHITECTURAL DRAWINGS

SUGGESTED COLOR SELECTIONS

COLOR	PAINT
COLOR 1	SW6600
COLOR 2	SW2807
COLOR 3	SW6230
COLOR 4	SW2810
COLOR 5	SW6227
COLOR 6	SW6644
COLOR 7	SW6909
COLOR 8	SW2821

NOTES:
A PAINT COLORS LISTED ABOVE ARE BASED ON SHERWIN WILLIAMS AND ARE PROVIDED FOR DESIGN PURPOSES ONLY.
B COORDINATE WITH COR FOR FINAL COLOR SELECTIONS AND MANUFACTURERS FOR LOGO.



5 DETAIL
NTS

I-143

SUGGESTED COLOR SELECTIONS

COLOR	RUBBER FLOORING	CERAMIC TILE
COLOR 1	WHITE	WHITE QH63
COLOR 2	PROCESS BLACK	RAVEN QH65
COLOR 3	COOL GREY 1	STEEL QH21
COLOR 4	703C	PEONY QH78
COLOR 5	YELLOW C	SUNBURST QH92
COLOR 6	BLUE 072C	AZURE QH94

NOTES:
A RUBBER FLOORING COLORS LISTED ARE BASED ON PANTONE COLORS AND ARE PROVIDED FOR DESIGN PURPOSES ONLY.
B CERAMIC TILE COLORS LISTED ARE BASED ON DALTILE, NATURAL HUES AND ARE BASED ON DESIGN PURPOSES ONLY.
C COORDINATE WITH COR FOR FINAL COLOR SELECTIONS AND MANUFACTURERS FOR LOGO.

GENERAL NOTES

- A FOR ACCENT WALL FINISH PATTERNS SEE TYPICAL WALL TILE PATTERN AND TYPICAL WALL AT UNISEX ON I-203.
- B FOR MATERIAL SELECTIONS SEE THE COLOR LIST ON I-604 AND FINISH SCHEDULE ON I-602 THROUGH I-603.
- C REFER TO SPECIFICATIONS FOR HARDWARE AND FINISH SELECTIONS FOR CABINETS AND COUNTERTOPS.
- D PROVIDE CONCEALED SUPPORTS AS REQUIRED IN WALLS AT ALL GRAB BARS, FIXTURES AND ACCESSORIES.
- E REFER TO SHEET I-601 FOR TYPICAL MOUNTING HEIGHTS AND ACCESSORIES.
- F REFER TO SHEET I-203 FOR TYPICAL WALL TILE PATTERN.
- G IN SHOWER AREAS PROVIDE FULL HEIGHT CERAMIC TILE WALLS.
- H REFER TO I-601 FOR ACCESSORIES SCHEDULE.
- I FOR LEGEND REFER TO I-141.

REGISTERED ARCHITECT
4191
Wayne D. Goets, A.I.A.
ARCHITECT FOR CH2MHILL



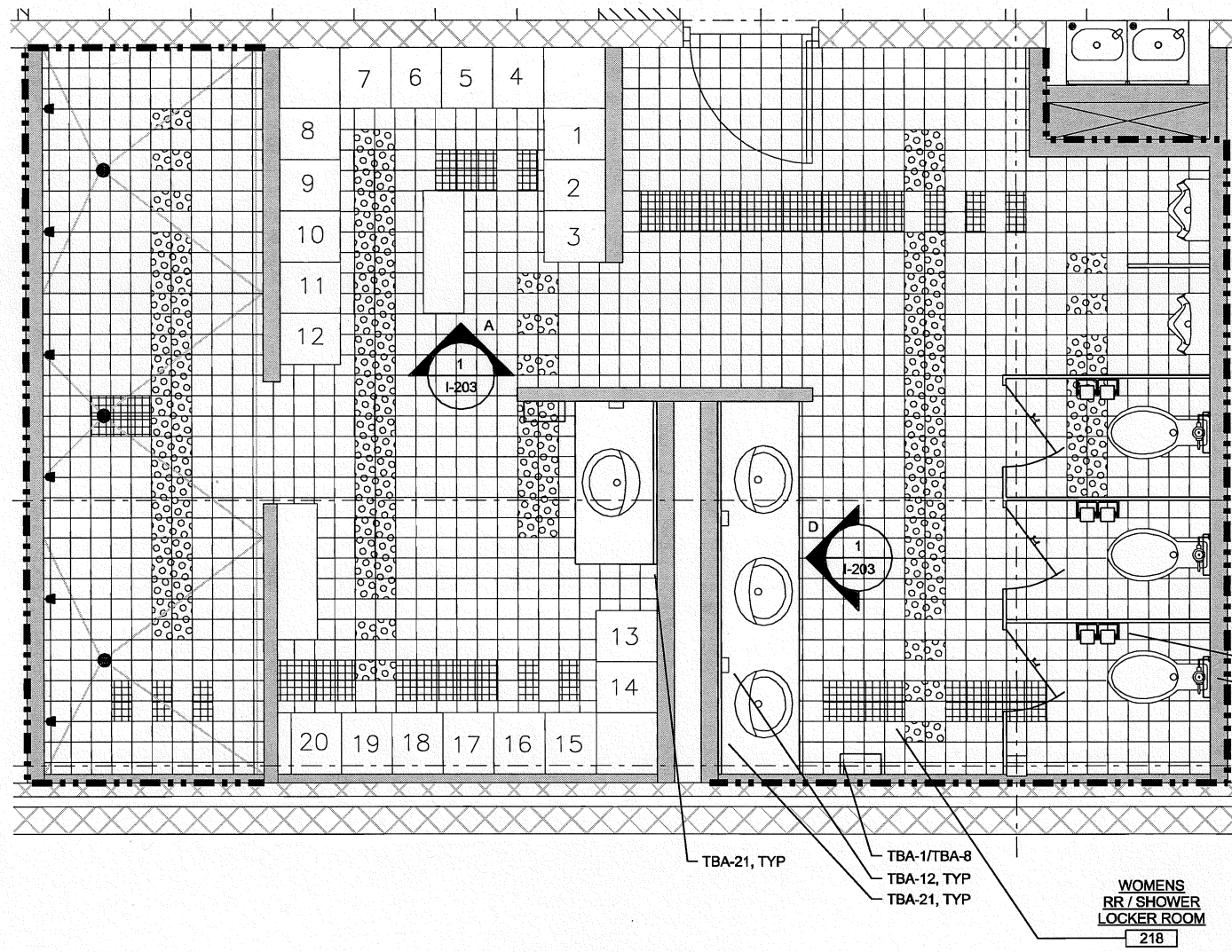
NO.	DATE	DESCRIPTION	BY	APVD
1		DR	C STEEN	
2		CHK	C STEEN	
3		REVISION	J HANSEN	
4		APVD	J HANSEN	
5		APVD	J ALTO	

ALASKA AIR NATIONAL GUARD
176th WING RELOCATION
PARASCUE OPERATIONS
PROJECT DO 2201 ANG 1

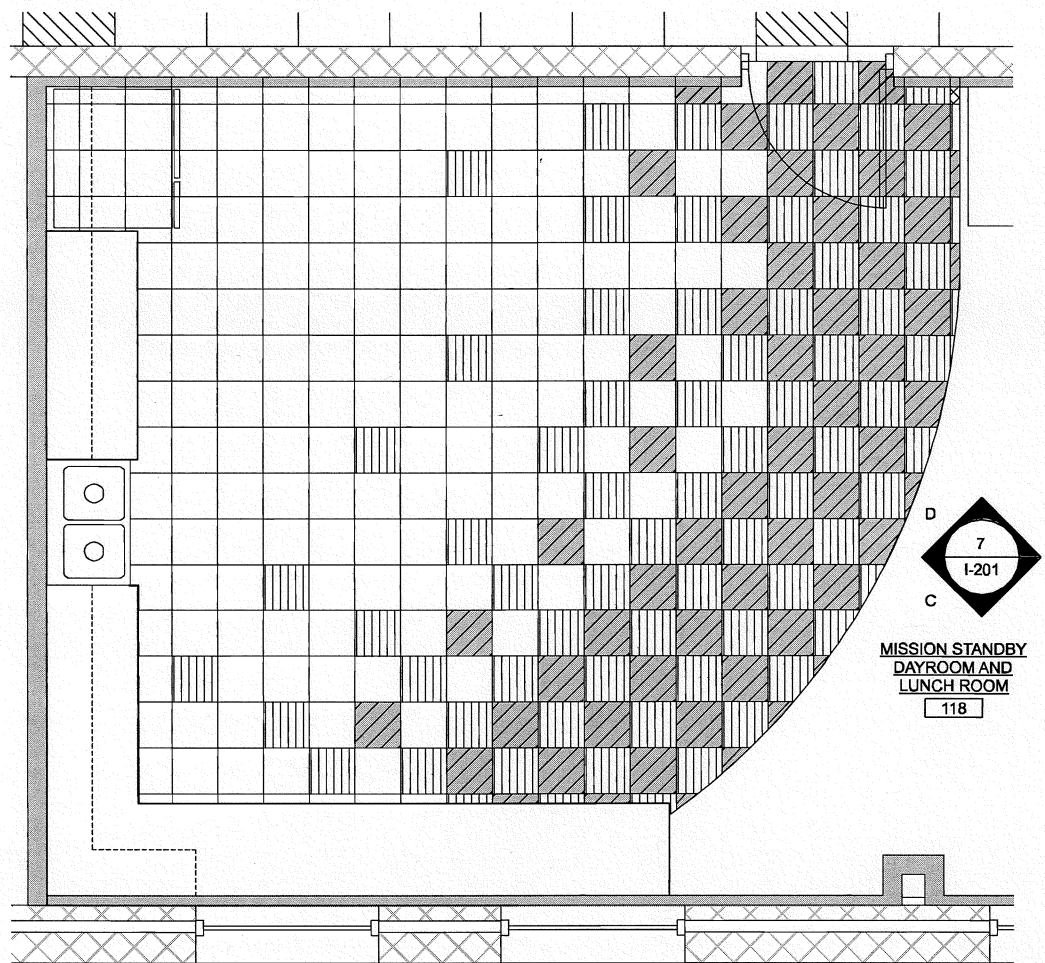
CH2MHILL
PARASCUE OPERATIONS
INTERIORS
ENLARGED PLANS

VERIFY SCALE
BAR IS 25mm ON ORIGINAL DRAWING.
0 25mm

DATE	APRIL 2008
PROJ	351441
DWG	I-401
SHEET	151



1 ENLARGED PLAN
1:25
I-141



2 ENLARGED PLAN
1:25
I-141

GENERAL NOTES

- A FOR ACCENT WALL FINISH PATTERNS SEE TYPICAL WALL TILE PATTERN AND TYPICAL WALL AT UNISEX ON I-203.
- B FOR MATERIAL SELECTIONS SEE THE COLOR LIST ON I-604 AND FINISH SCHEDULE ON I-602 THROUGH I-603.
- C REFER TO SPECIFICATIONS FOR HARDWARE AND FINISH SELECTIONS FOR CABINETS AND COUNTERTOPS.
- D PROVIDE CONCEALED SUPPORTS AS REQUIRED IN WALLS AT ALL GRAB BARS, FIXTURES AND ACCESSORIES.
- E REFER TO SHEET I-601 FOR TYPICAL MOUNTING HEIGHTS AND ACCESSORIES.
- F REFER TO SHEET I-203 FOR TYPICAL WALL TILE PATTERN.
- G IN SHOWER AREAS PROVIDE FULL HEIGHT CERAMIC TILE WALLS.
- H FOR LEGEND REFER TO I-141.



NO.	DATE	DESCRIPTION	DR	BY	CHK
				J HANSEN	J ALTO
				C STEEN	C STEEN

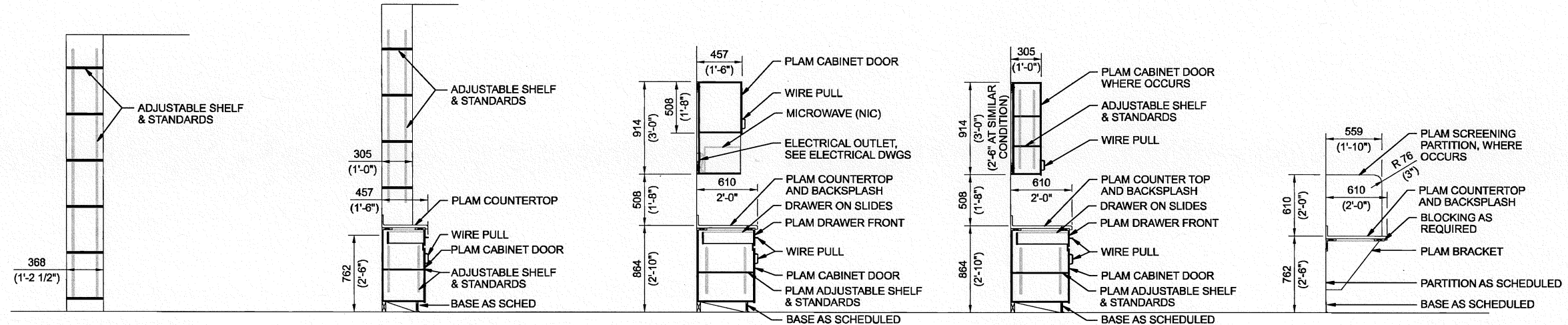
ALASKA AIR NATIONAL GUARD
176th WING RELOCATION
PARARESCUE OPERATIONS
PROJECT DO 2201 ANG 1

CH2MHILL
PARARESCUE OPERATIONS
INTERIORS
ENLARGED PLANS

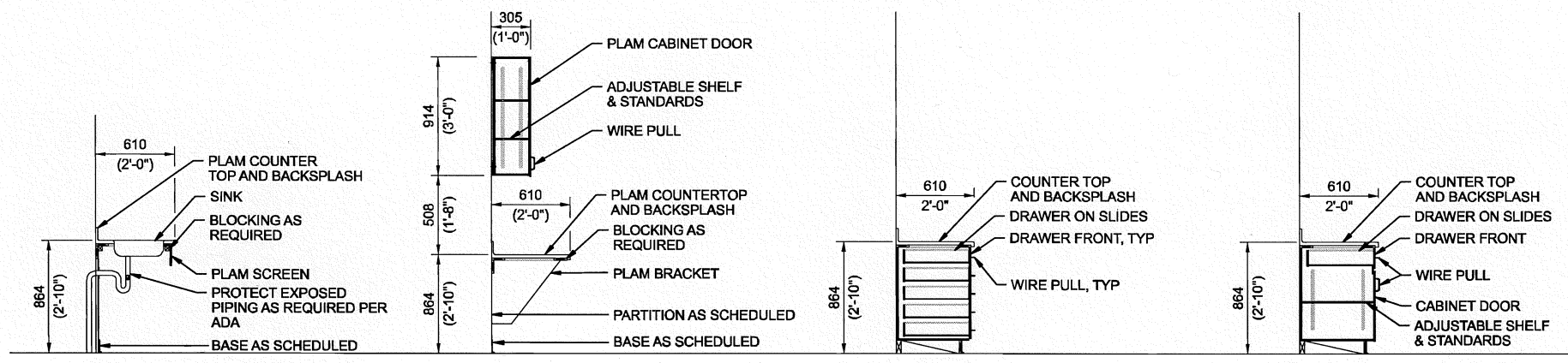
REGISTERED ARCHITECT
4191
WAYNE D. GOEAS
ENGINEER
STATE OF OREGON
Wayne D. Goeas, A.I.A.
ARCHITECT FOR CH2M HILL

VERIFY SCALE
BAR IS 25mm ON ORIGINAL DRAWING.
0 25mm

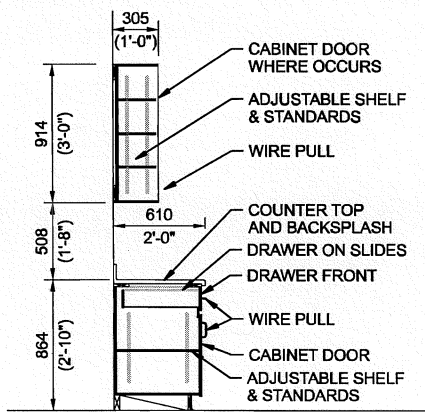
DATE	APRIL 2008
PROJ	351441
DWG	I-402
SHEET	152



1 CABINET SECTION 1:50 I-202
 2 CABINET SECTION 1:50 I-202
 3 CABINET SECTION 1:50 I-201, I-202
 4 CABINET SECTION 1:50 I-201, I-202
 5 DESK SECTION 1:50 I-201, I-202



6 SINK SECTION 1:50 I-203
 7 CABINET SECTION 1:50 I-201
 8 CABINET SECTION 1:50 I-202
 9 CABINET SECTION 1:50 I-202



10 CABINET SECTION 1:50 I-202

GENERAL NOTES
 A. FURNISH / INSTALL BACKING AS REQUIRED FOR CABINETS, WALL MOUNTED EQUIPMENT, ETC. FOLLOW MANUFACTURER RECOMMENDATIONS. FOR GF / GI, COORDINATE WITH GOVERNMENT / USER ON ITEMS. FURNISH / INSTALL BACKING AS REQUIRED.



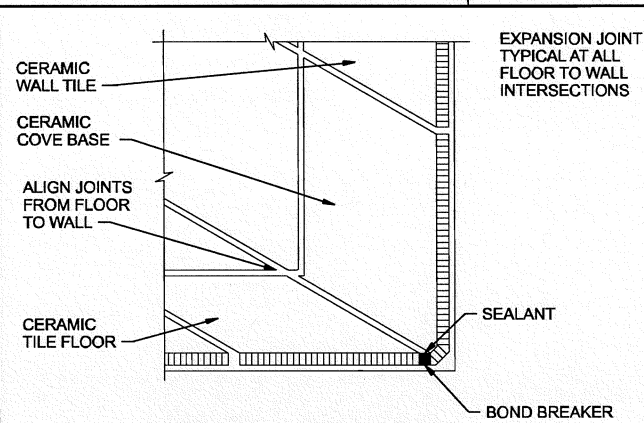
APVD	N	J ALTO
BY	APVD	
DESCRIPTION	REVISION	CHK
		G MALIN
		J HANSEN
		APVD
		DR
		C STEEN

ALASKA AIR NATIONAL GUARD
 176th WING RELOCATION
 PARARESCUE OPERATIONS
 PROJECT DO 2201 ANG 1

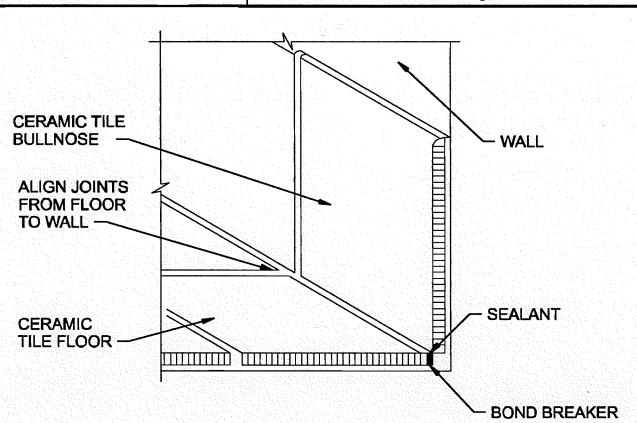
CH2MHILL
 PARARESCUE OPERATIONS
 INTERIORS
 CASEWORK SECTIONS

REGISTERED ARCHITECT
 4191
 WAYNE D. GOODES
 ARCHITECT FOR CH2M HILL

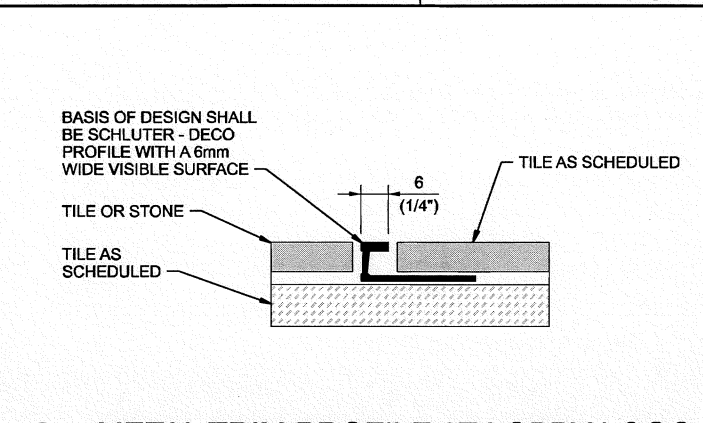
VERIFY SCALE	
BAR IS 25mm ON ORIGINAL DRAWING	
DATE	APRIL 2008
PROJ	351441
DWG	I-501
SHEET	153



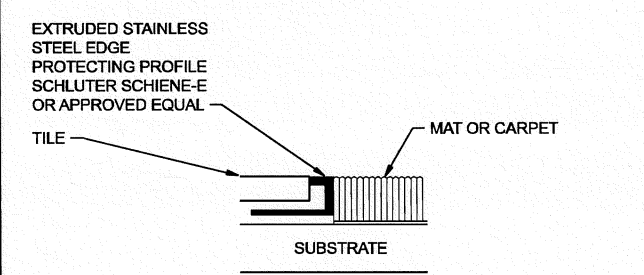
1 CERAMIC TILE BASE
NTS



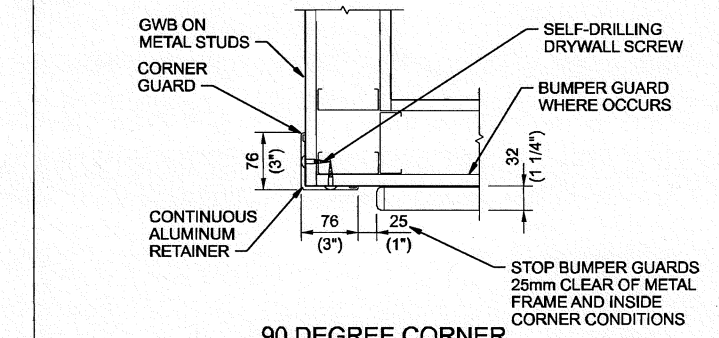
5 CORNER GUARD
NTS



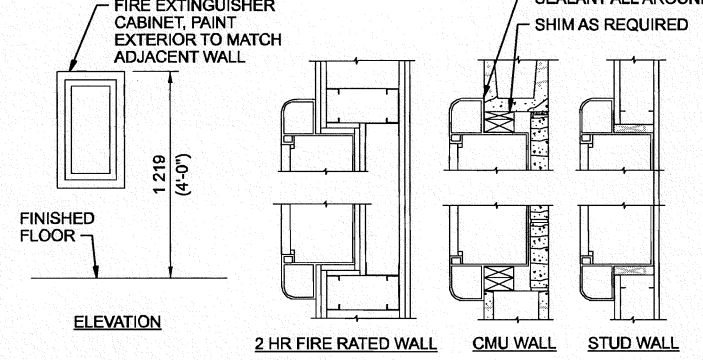
8 METAL TRIM PROFILE AT LOBBY LOGO
NTS



2 CARPET/TILE TRANSITION
NTS



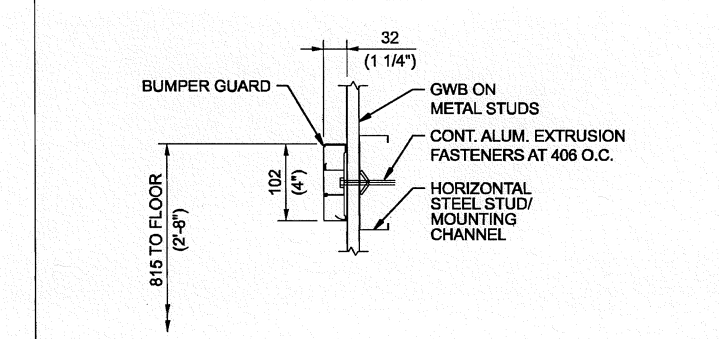
5 90 DEGREE CORNER
NTS



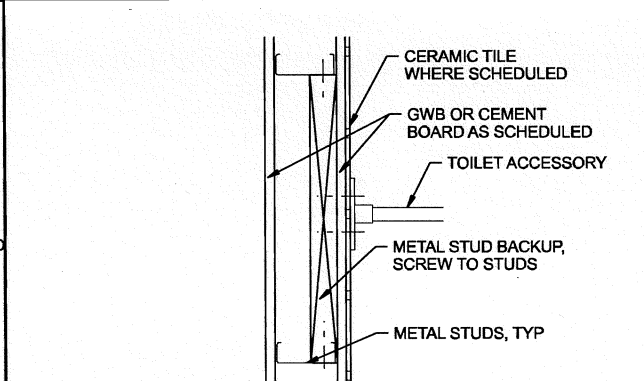
9 FIRE EXTINGUISHER
NTS



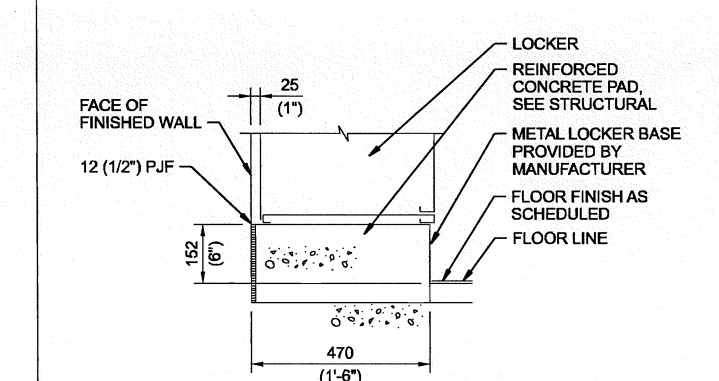
3 NOT USED
NTS



6 BUMPER GUARD
NTS



4 BLOCKING
NTS



7 LOCKER BASE
NTS



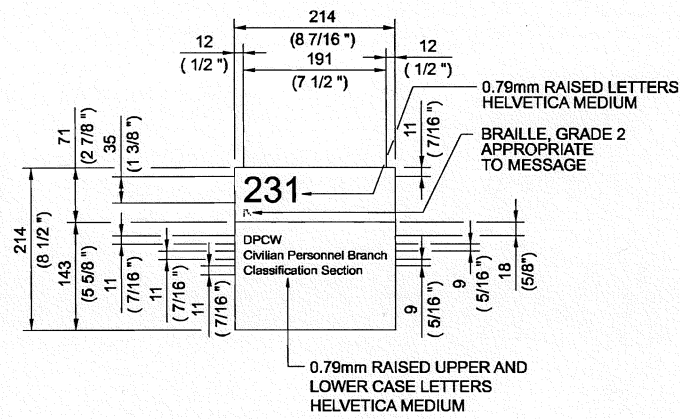
NO.	DATE	DESCRIPTION	BY	DATE
DSSN	DR	CHK	APVD	JALTO
	C STEEN	G MALIN	J HANSEN	

ALASKA AIR NATIONAL GUARD
176th WING RELOCATION
PARARESCUE OPERATIONS
PROJECT DO 2201 ANG 1

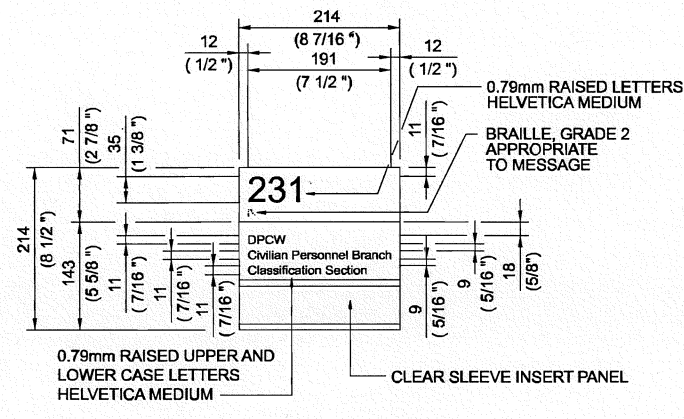
CH2MHILL
PARARESCUE OPERATIONS
INTERIORS
INTERIOR DETAILS

REGISTERED ARCHITECT
4191
Wayne D. Gozas, A.I.A.
ARCHITECT for CH2M HILL

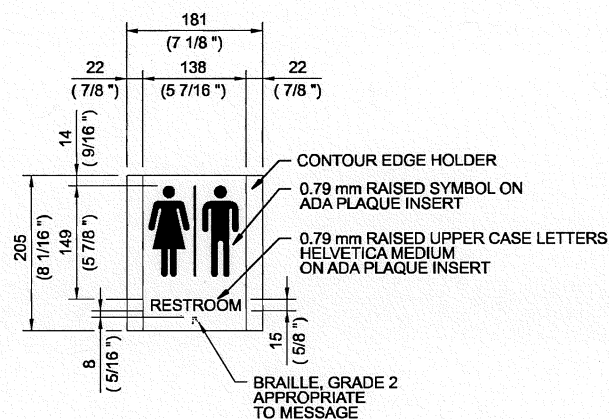
VERIFY SCALE	DATE	APRIL 2008
BAR IS 25mm ON ORIGINAL DRAWING.	PROJ	351441
0 25mm	DWG	I-503
	SHEET	154



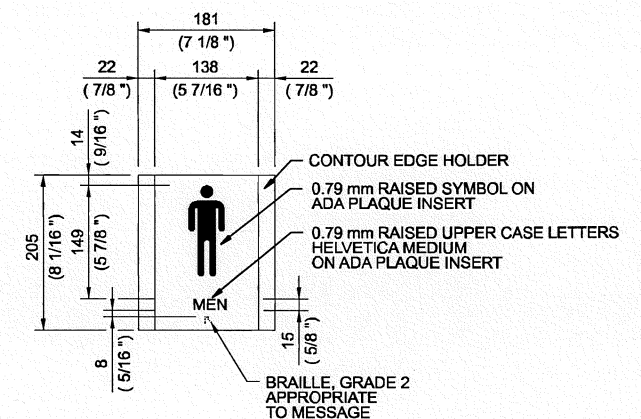
NOTE: SIGN MATERIAL 3mm ALUMINUM PLATE
SIGN TYPE "A"



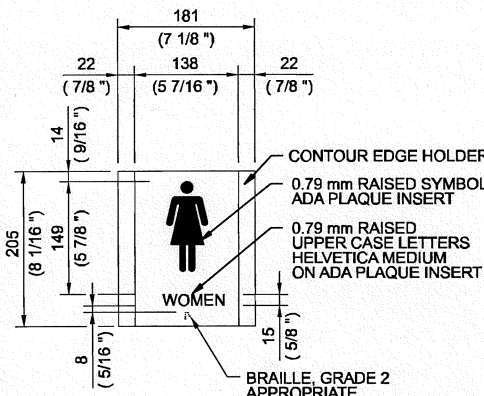
NOTE: SIGN MATERIAL 3mm ALUMINUM PLATE
SIGN TYPE "B"



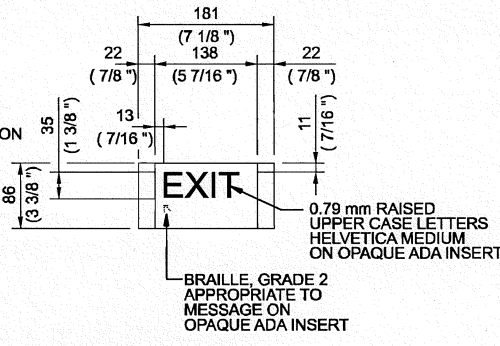
SIGN TYPE "C"



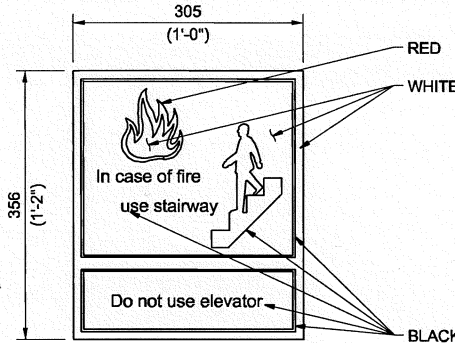
SIGN TYPE "D"



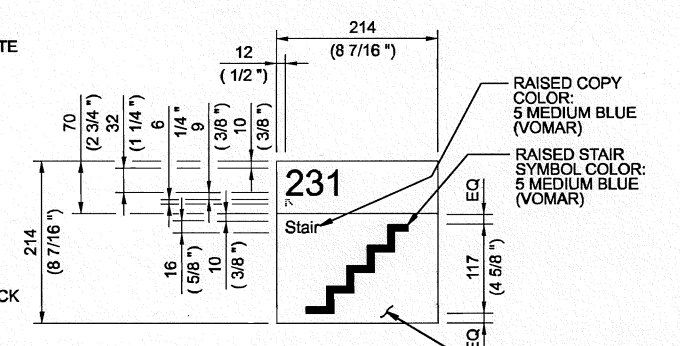
SIGN TYPE "E"



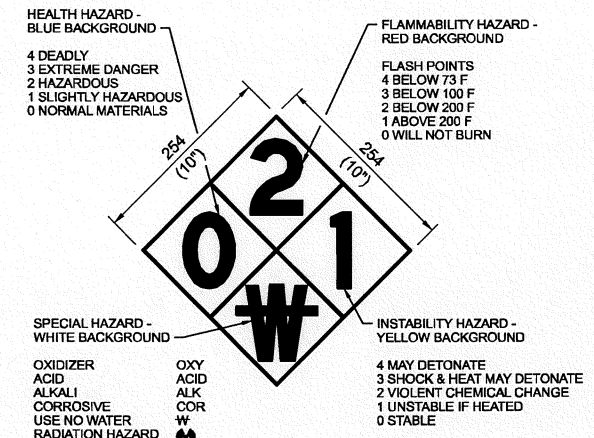
SIGN TYPE "F"



SIGN TYPE "G"



SIGN TYPE "H"



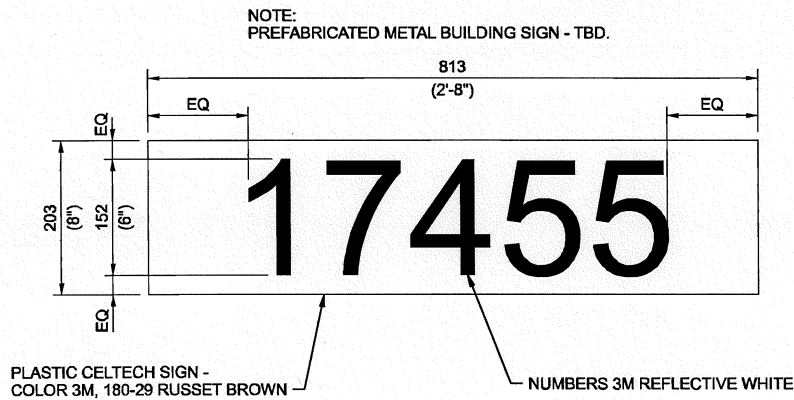
NOTES:
1. LETTER HEIGHT: 4"
LETTER COLOR: BLACK
2. NUMBERS AND LETTERS ON ABOVE SIGNAL DETAIL ARE EXAMPLES ONLY. SEE SPECIFICATION 10 14 00 FOR REQUIREMENTS ON THIS PROJECT.
3. COORDINATE WITH GOVERNMENT/USER.

SIGN TYPE "J"

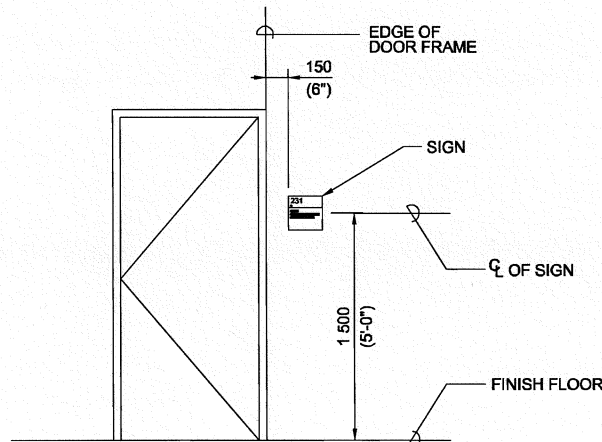
GENERAL NOTES

A CONTRACTOR IS TO PROVIDE A ROOM AND BUILDING SIGNAGE SCHEDULE (AS A SUBMITTAL) FOR COR REVIEW, EDIT AND APPROVAL PRIOR TO ORDERING SIGNAGE.

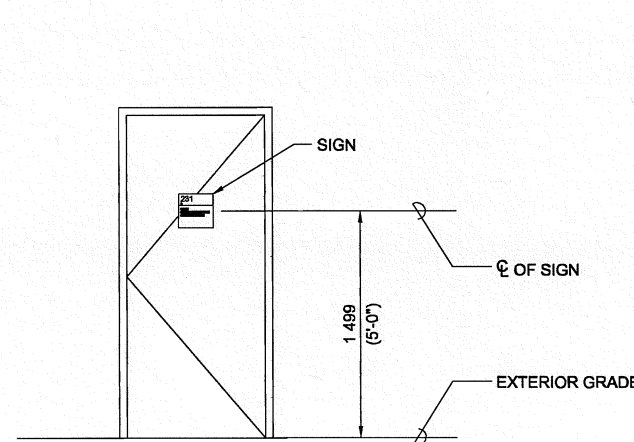
1 SIGN TYPES
1:5



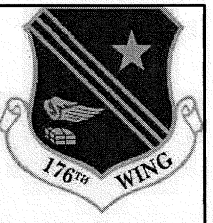
2 BUILDING NUMBER SIGNAGE
1:5



3 TYPICAL SIGNAGE MOUNTING
1:25



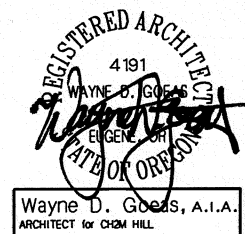
4 DOOR SIGNAGE MOUNTING
1:25



DESCRIPTION	APR	N	JALTO
REVISION	BY	APVD	
	CHK	APVD	
	G MALIN	J HANSEN	
	DR	C STEEN	

ALASKA AIR NATIONAL GUARD
176th WING RELOCATION
PARARESCUE OPERATIONS
PROJECT DO 2201 ANG 1

CH2MHILL
PARARESCUE OPERATIONS
INTERIORS
SIGN DETAILS



VERIFY SCALE	BAR IS 25mm ON ORIGINAL DRAWING.
DATE	APRIL 2008
PROJ	351441
DWG	I-504
SHEET	155