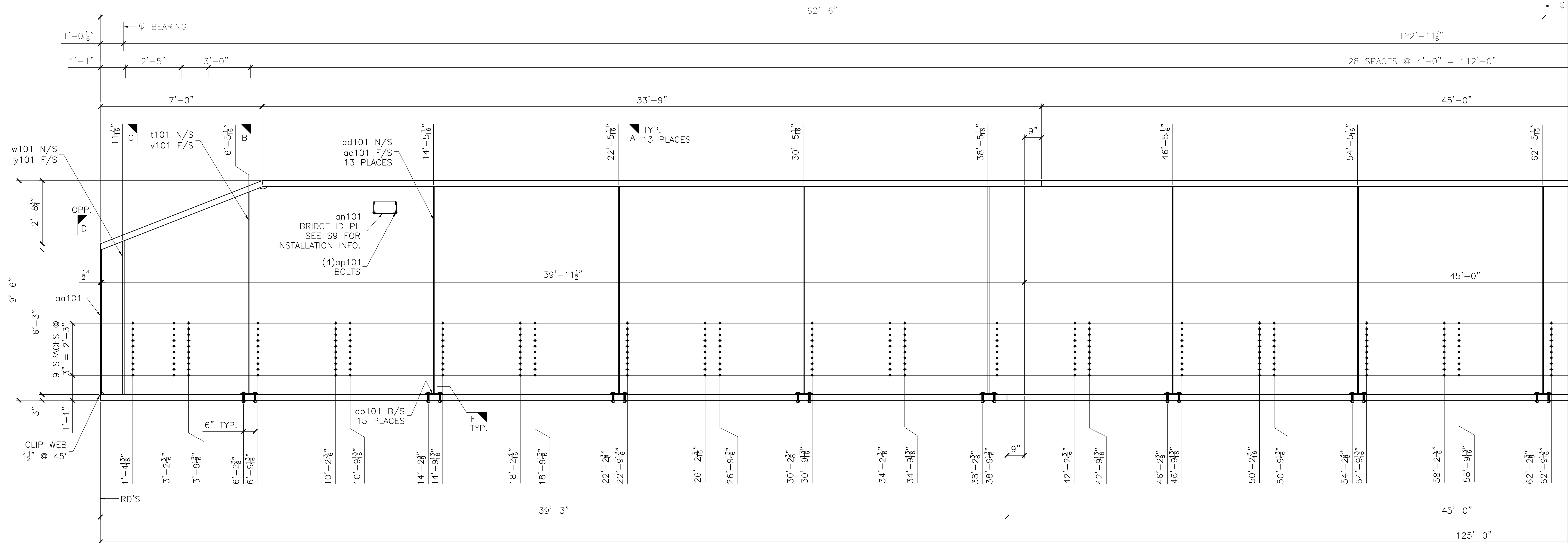


WELDING TABLE		
1	WPS 21-05	D1.5 SAW FLAT & HORIZONTAL
2	WPS 21-07	D1.5 FCAW FLAT & HORIZONTAL
3	WPS 21-08	D1.5 FCAW VERTICAL UP
4	WPS 21-09	D1.5 FCAW OVERHEAD
5	WPS SUPERARC L-56	D1.1 GMAW ALL POSITION



3 - 101A - GIRDER RT
S9

VERIFICATION OF DIMENSIONS,
DETAILS, ETC... ARE REQUESTED
WHERE INDICATED.
EACH REQUEST FOR VERIFICATION
WILL BE ASSUMED CORRECT
UNLESS NOTED OTHERWISE.

TOLERANCES
(UNLESS OTHERWISE SPECIFIED)
3 PLACE DECIMALS: ± .01
2 PLACE DECIMALS: ± .03
FRACTIONS: ± 1/16
ANGLES: ± 2'
MACHINE FINISHES: 125 U.N.

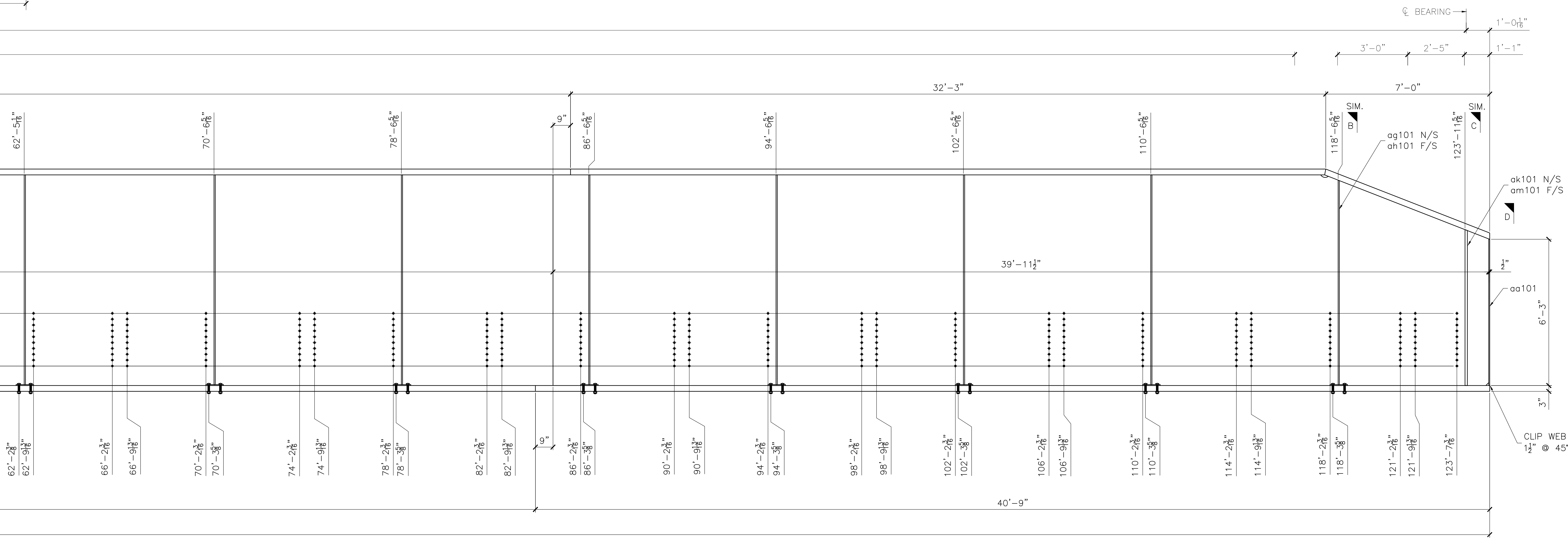
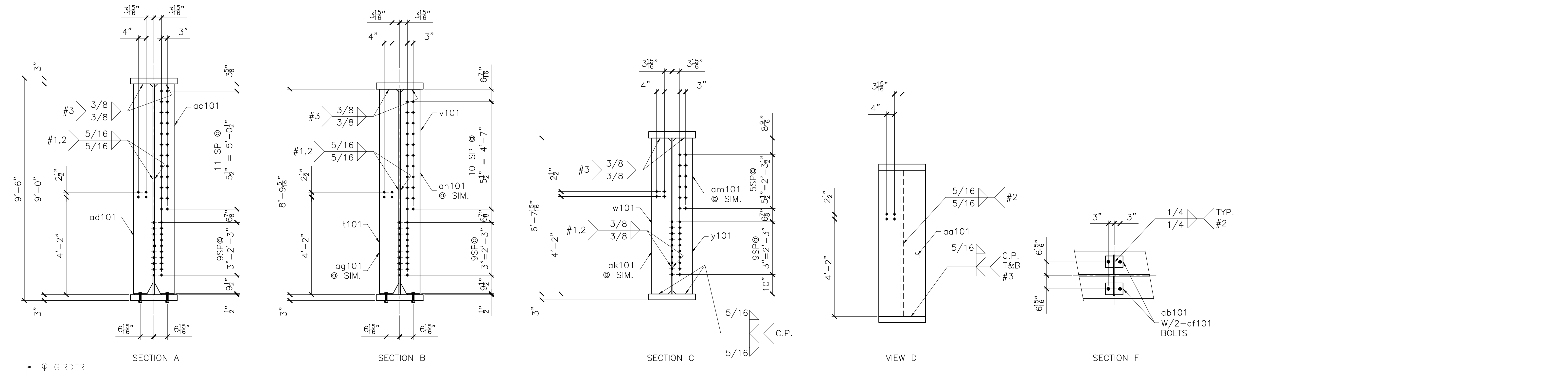
QTY	TYPE	SIZE	LENGTH	GRADE	REMARKS
NET FIELD BOLTS					

MATERIAL: NOTED	
FINISH: SP6 BLAST	WELD: AWS D1.5
HOLES: 15/16" DIA. UNO	
REF. DRAWING: E1	
CONTRACTOR:	
ARCHITECT: WILSON & COMPANY	
DETAILER: WEST COAST DRAFTING	

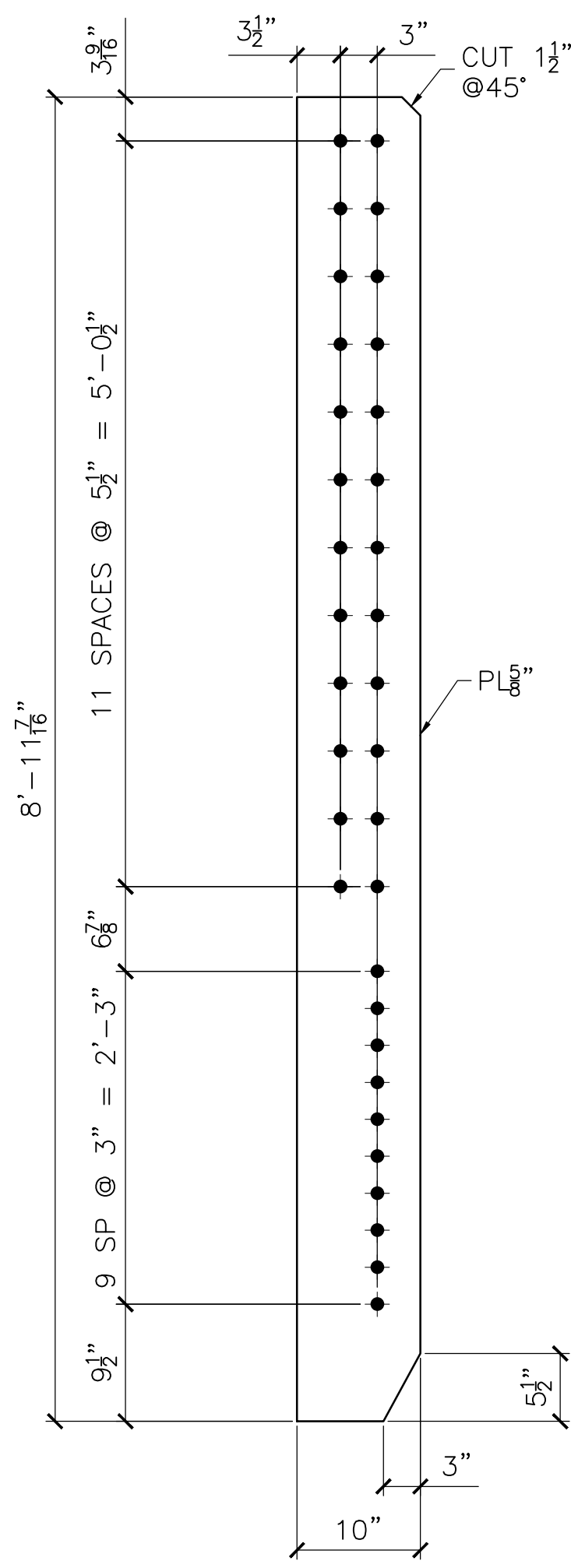
REV	DATE	DESCRIPTION
△	DEC 7/21	REVISED TO SUIT APPROVAL
△	SEPT 23/21	REVISED PER UPDATED DRAWING SET

JESSE CO.	
1840 MARINE VIEW DRIVE, TACOMA, WASHINGTON 98422 PHONE: (253) 922-7433	
PROJECT: ALASKA RAILROAD CORPORATION 125' STANDARD TPG BRIDGE REPLACEMENT	
TITLE: GIRDER RT	
DRAWN: JC	CHK: NB
PROJECT NO. 144223	DRAWING NO. 101
SHEET NO. 1 OF 3	

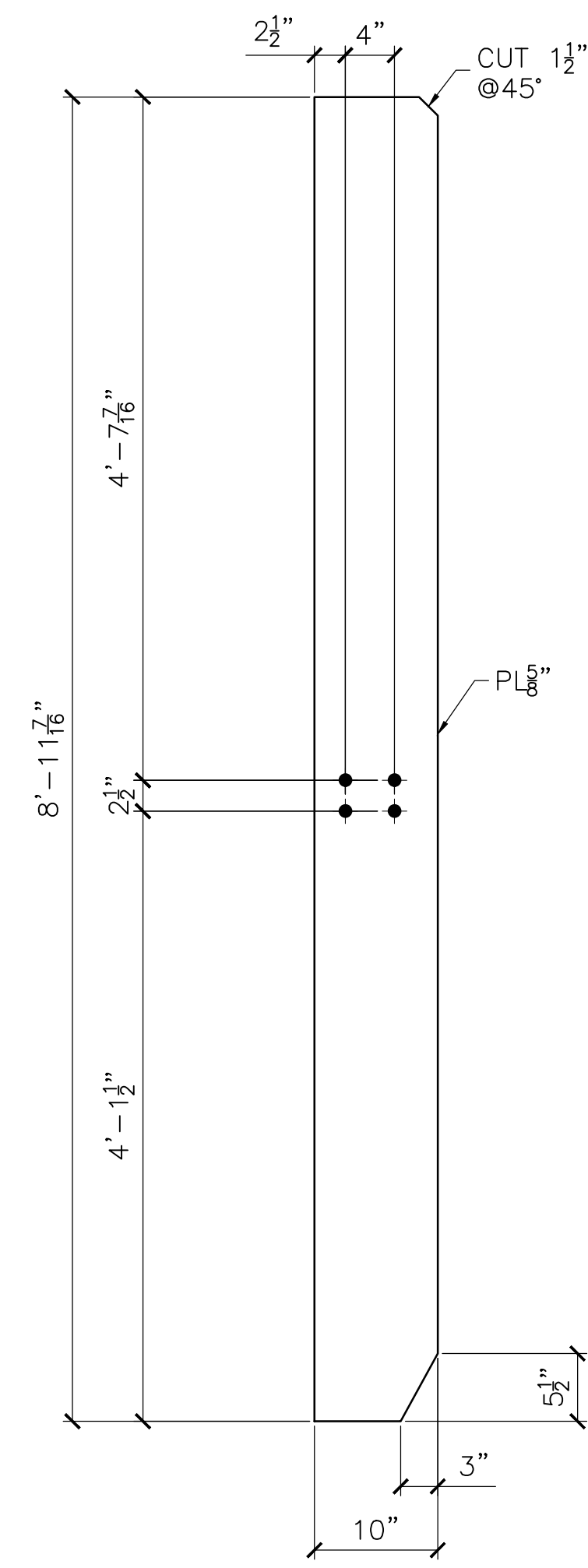
P:\125 - ARCC Bird Creek Pony Truss Bridge Replacement\Drawing Office\Shop Drawings\144223-101-3-C. Dwg/7/2021 3:03:36 PM



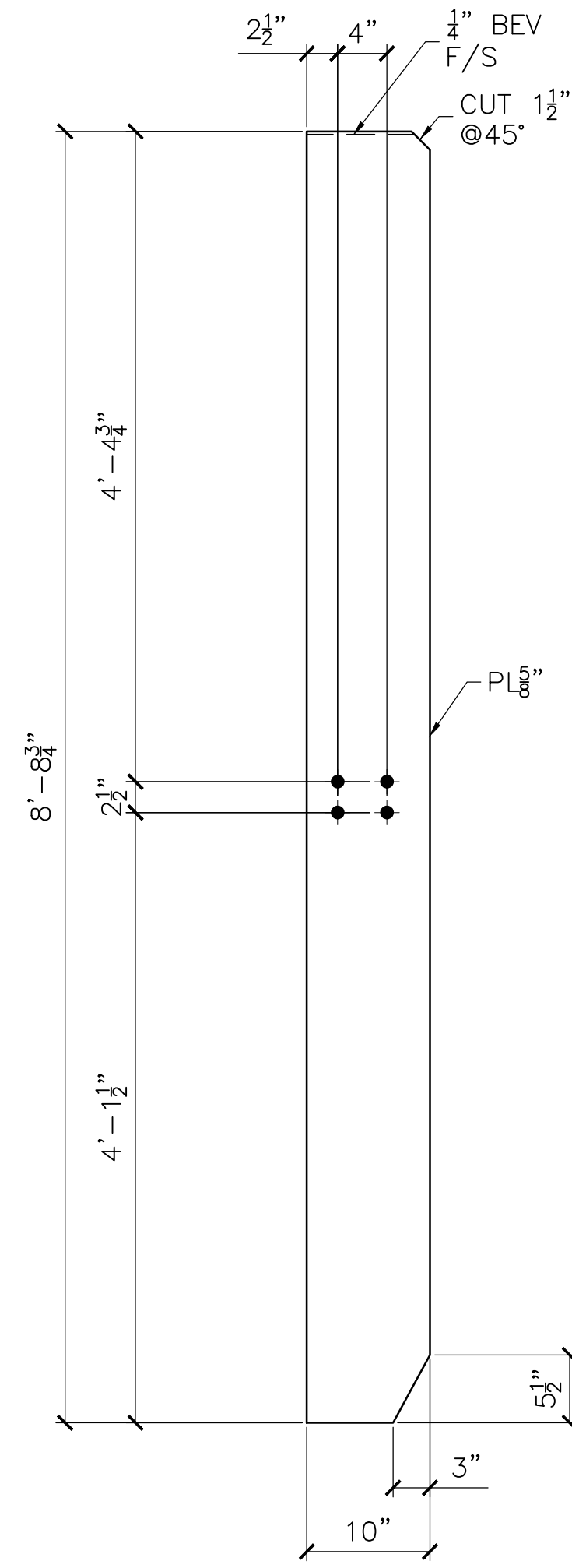
JESSE CO. 1840 MARINE VIEW DRIVE, TACOMA, WASHINGTON 98422 PHONE: (253) 922-7433		
PROJECT: ALASKA RAILROAD CORPORATION 125' STANDARD TPG BRIDGE REPLACEMENT		
TITLE: GIRDER RT		
DRAWN: JC	CHK: NB	
PROJECT NO. 144223	DRAWING NO. 101	SHEET NO. 2 OF 3



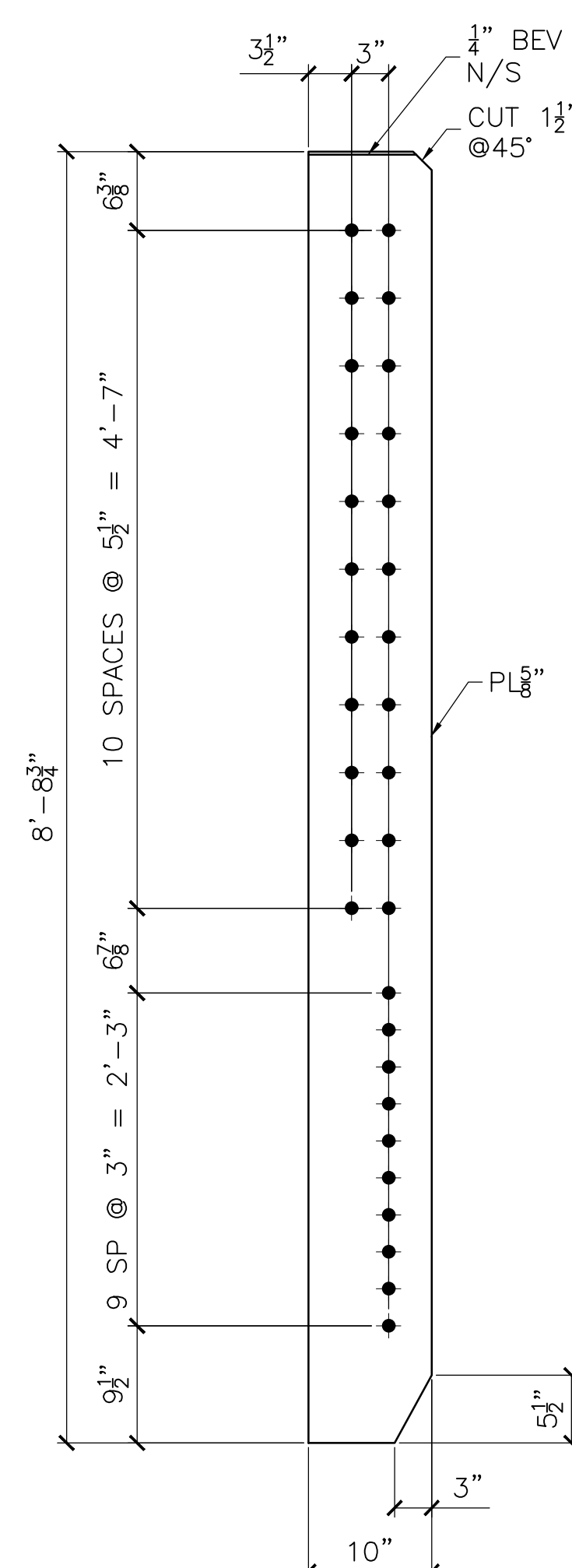
DETAIL OF ac101



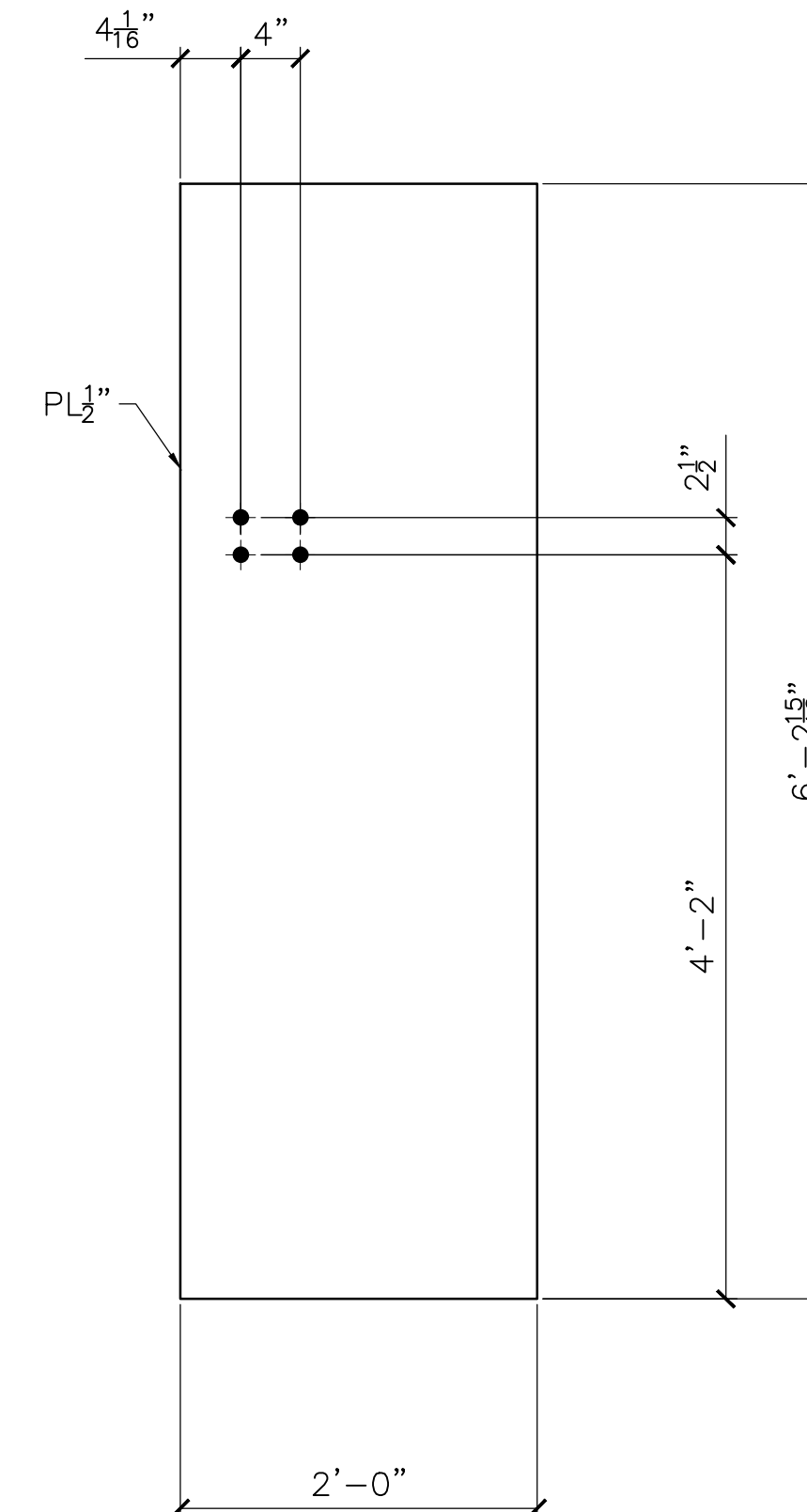
DETAIL OF ad101



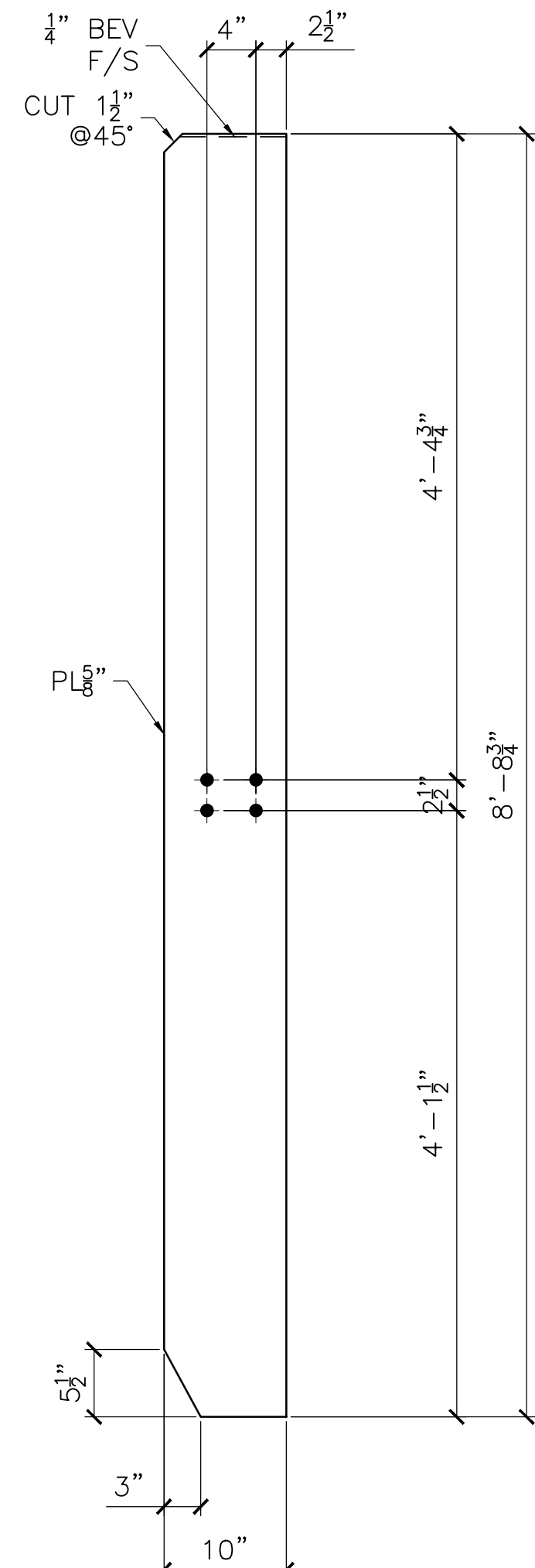
DETAIL OF t101



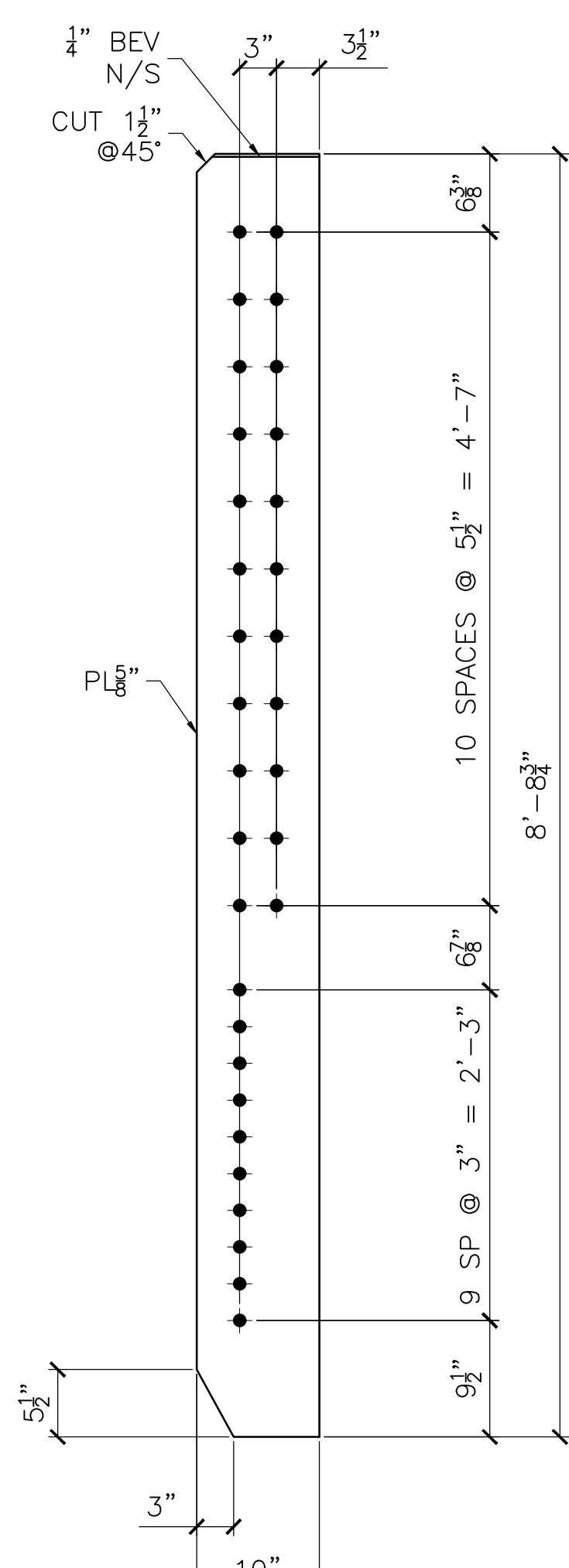
DETAIL OF v101



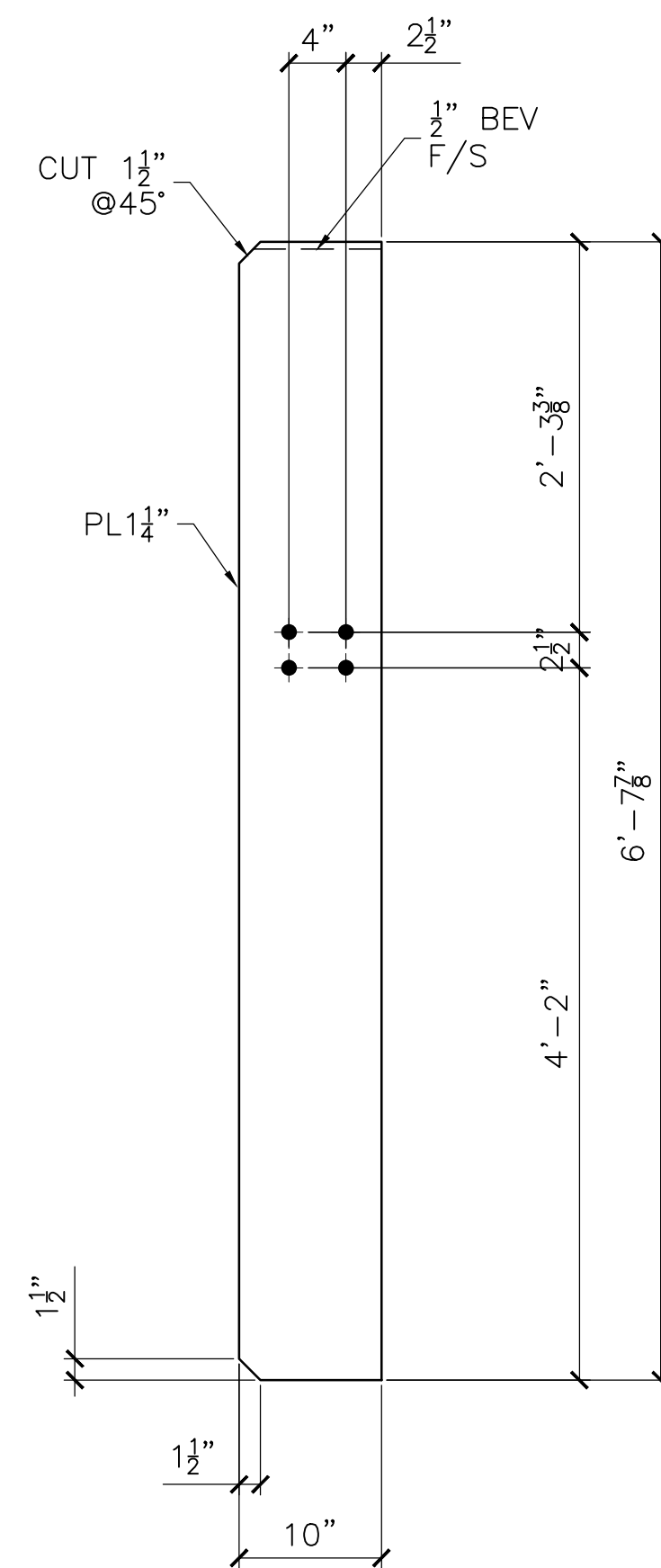
DETAIL OF aa101



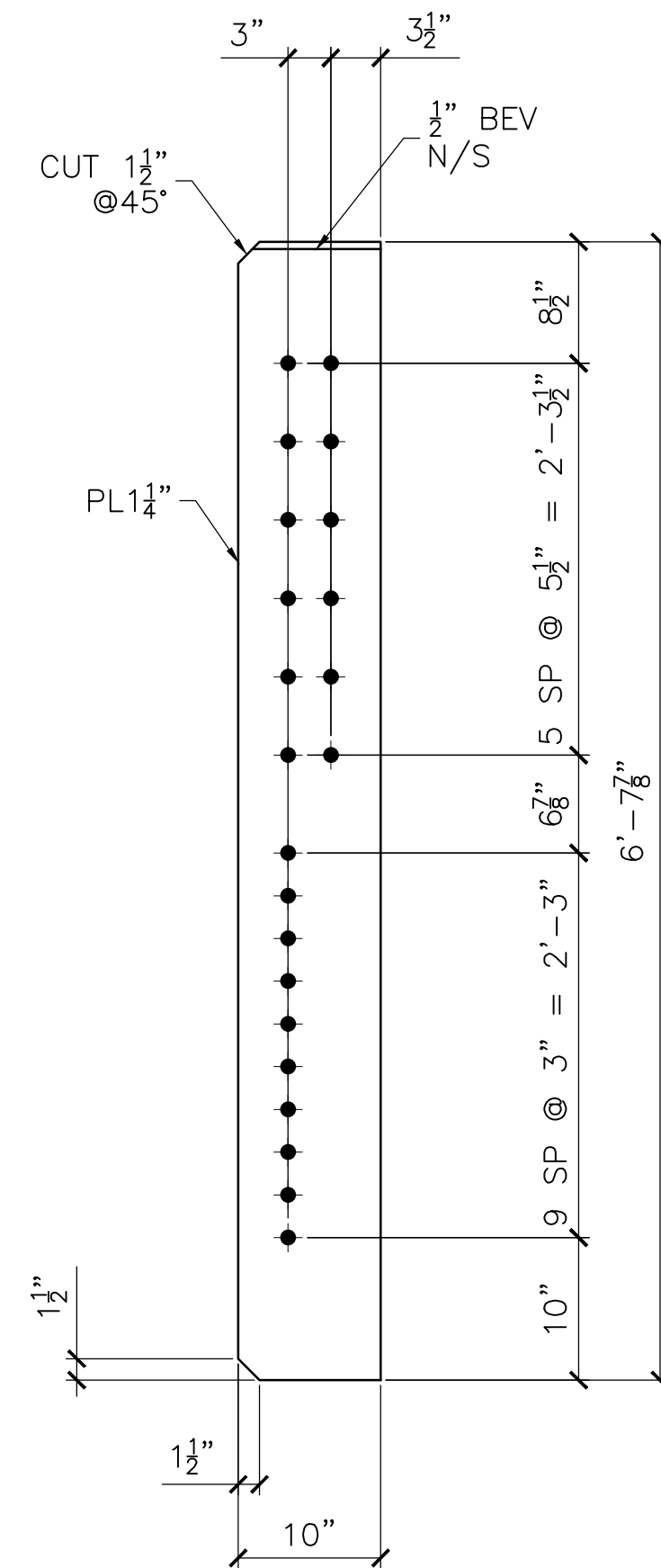
DETAIL OF ag101



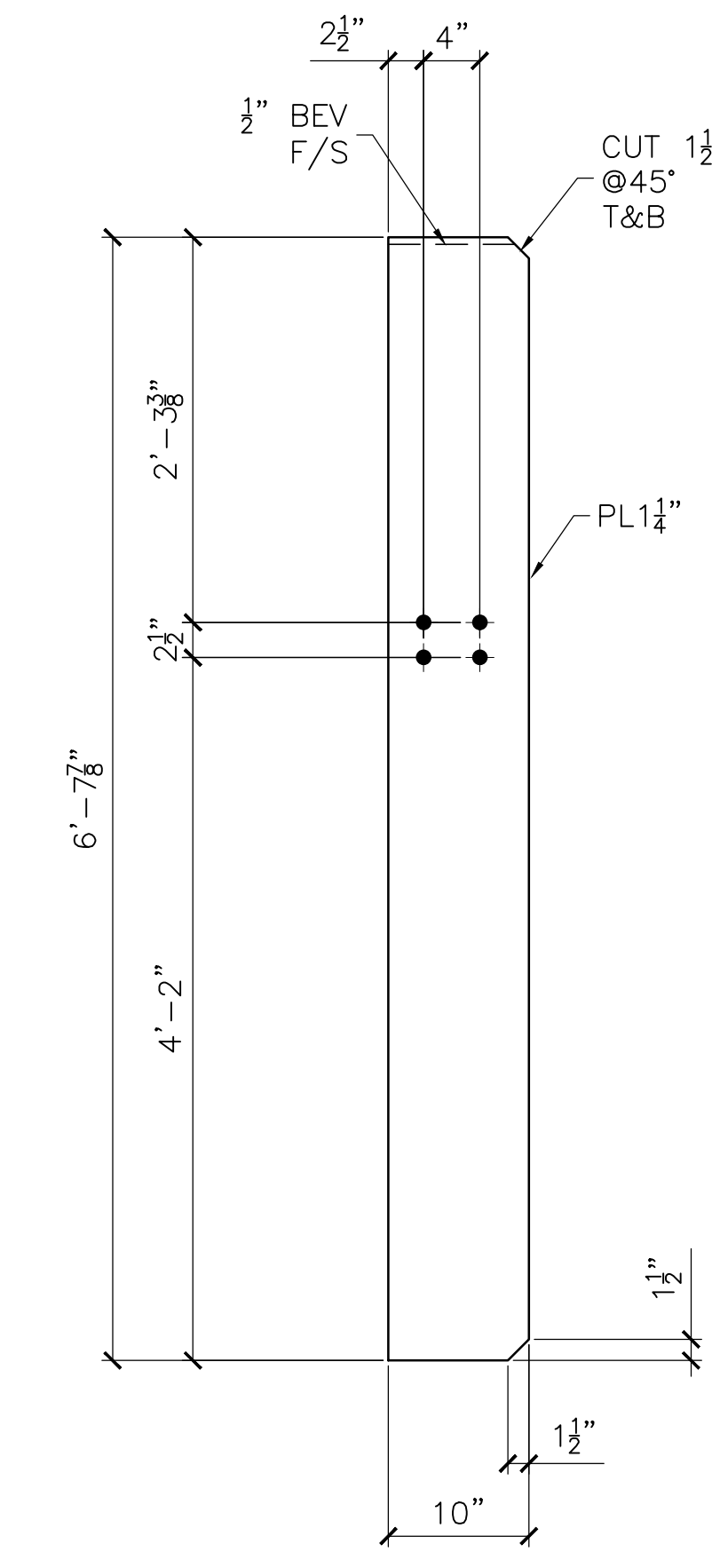
DETAIL OF ah101



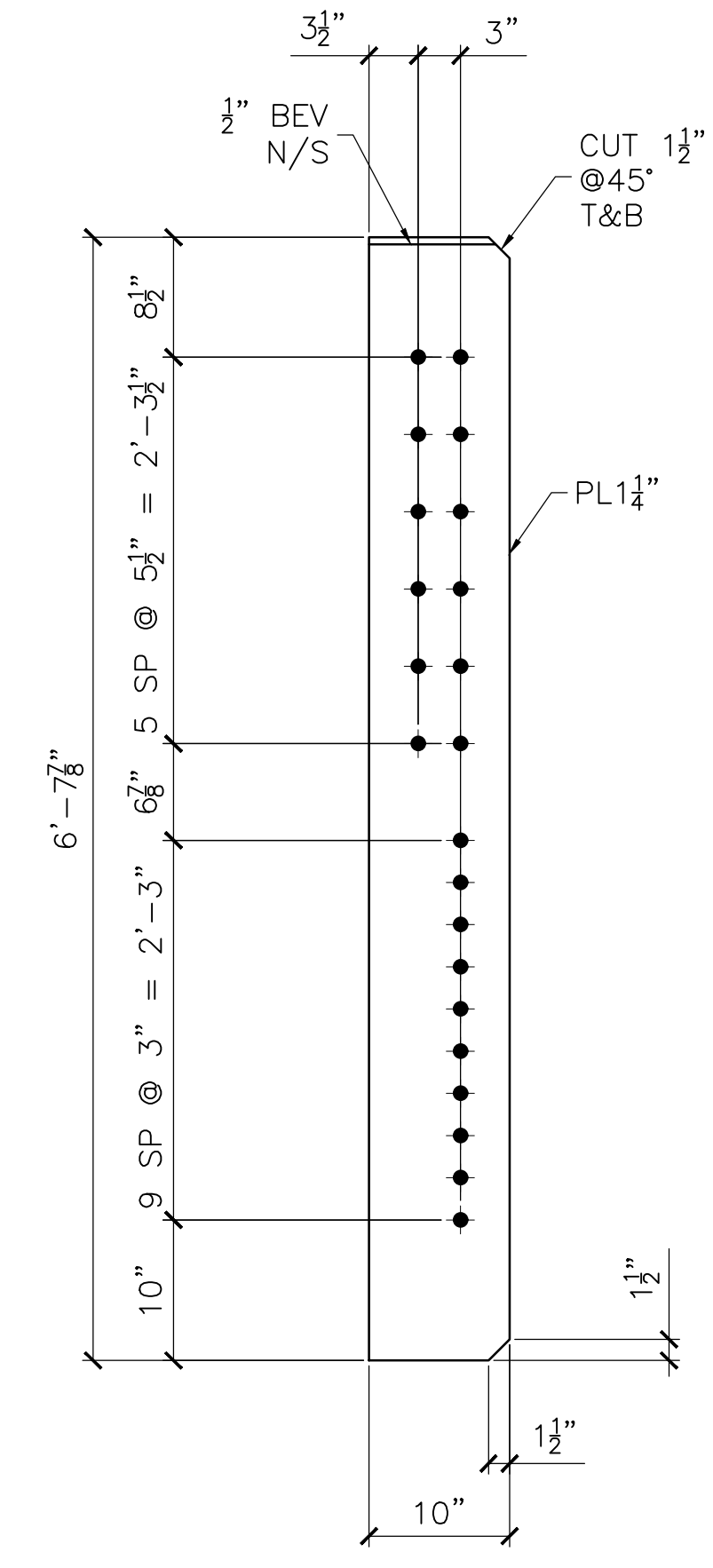
DETAIL OF ak101



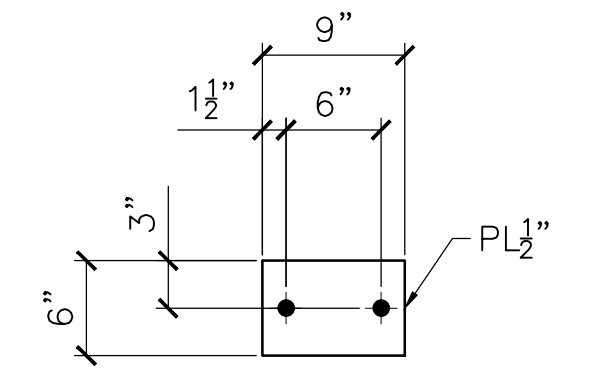
DETAIL OF am101



DETAIL OF w101



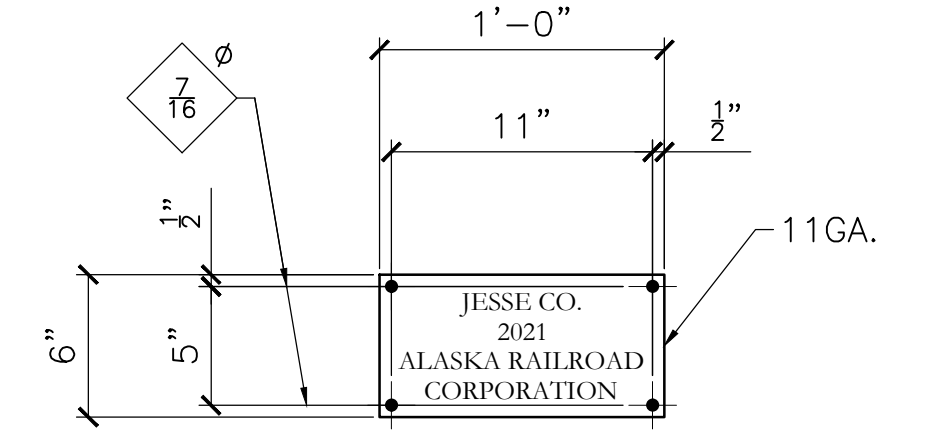
DETAIL OF y101



DETAIL OF ab101

BILL OF MATERIAL									
QTY	SHIP MARK	PIECE MARK	TYPE	DESCRIPTION	LENGTH		WEIGHT	MATERIAL GRADE	REMARKS
					FT	IN			
3	101A		MI	GIRDER RT			328423		
3		GR1	MI	GIRDER			305479		
3		t101	PL	5/8X10	8	8 3/4	557	A709-50W	SK
3		v101	PL	5/8X10	8	8 3/4	557	A709-50W	SK
3		w101	PL	1-1/4X10	6	7 7/8	849	A709-50W	SK
3		y101	PL	1-1/4X10	6	7 7/8	849	A709-50W	SK
6		aa101	PL	1/2X24	6	2 15/16	1530	A709-50W	SK
90		ab101	PL	1/2X6		9	689	A709-50W	SK
39		ac101	PL	5/8X10	8	11 7/16	7427	A709-50W	SK
39		ad101	PL	5/8X10	8	11 7/16	7427	A709-50W	SK
180		af101	HS	7/8X4-3/4			239	A325	
3		ag101	PL	5/8X10	8	8 3/4	557	A709-50W	SK
3		ah101	PL	5/8X10	8	8 3/4	557	A709-50W	SK
3		ak101	PL	1-1/4X10	6	7 7/8	849	A709-50W	SK
3		am101	PL	1-1/4X10	6	7 7/8	849	A709-50W	SK
3		an101	PL	0.1196X6	1	0	7	TYPE 316	SK 11GA BRIDGE ID PL
12		op101	MB	3/8X1-3/4			1	TYPE 304	W/NUT

NOTE: FOR FASTENER SPEC SEE E1



ENGRAVINGS BY OTHERS
FONT TYPE: GARAMOND, SIZE 3/4" TALL

DETAIL OF an101

JESSE CO.
1840 MARINE VIEW DRIVE, TACOMA, WASHINGTON 98422
PHONE: (253) 922-7433

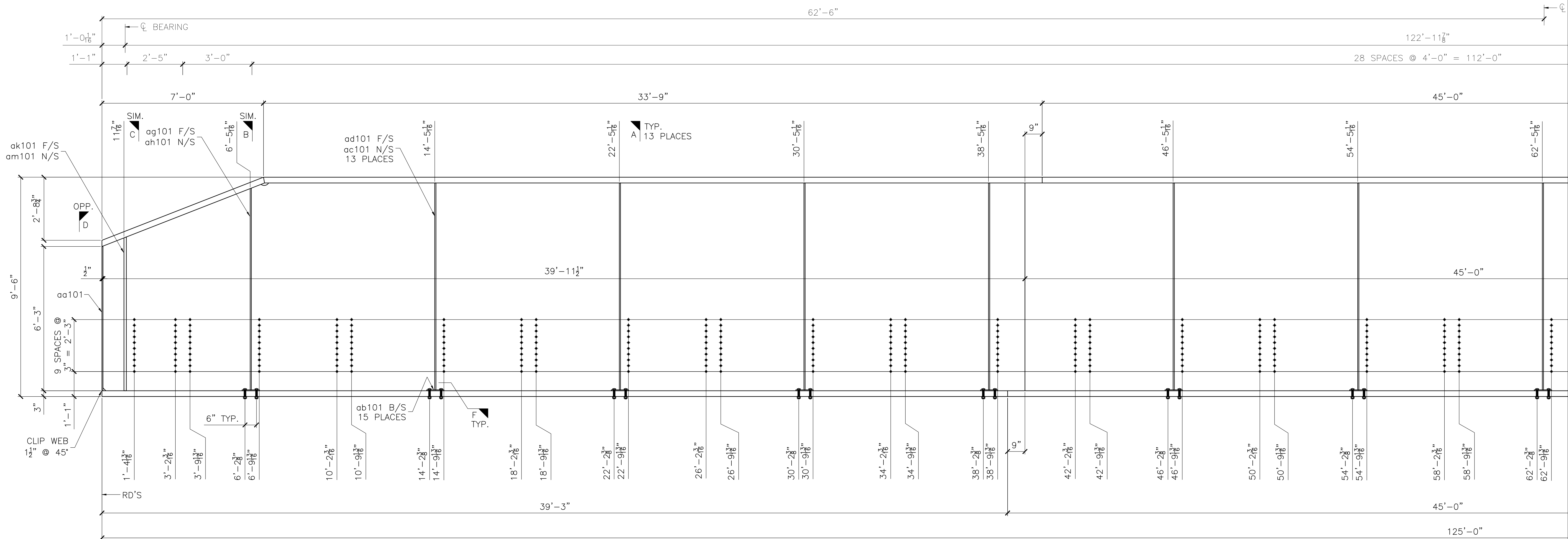
PROJECT: ALASKA RAILROAD CORPORATION
125' STANDARD TPG BRIDGE REPLACEMENT

TITLE: GIRDER RT

DRAWN: JC CHK: NB

PROJECT NO. 144223 DRAWING NO. 101 SHEET NO. 3 OF 3

WELDING TABLE		
1	WPS 21-05	D1.5 SAW FLAT & HORIZONTAL
2	WPS 21-07	D1.5 FCAW FLAT & HORIZONTAL
3	WPS 21-08	D1.5 FCAW VERTICAL UP
4	WPS 21-09	D1.5 FCAW OVERHEAD
5	WPS SUPERARC L-56	D1.1 GMAW ALL POSITION



3 - 102A - GIRDER LT
S9

VERIFICATION OF DIMENSIONS,
DETAILS, ETC... ARE REQUESTED
WHERE INDICATED.
EACH REQUEST FOR VERIFICATION
WILL BE ASSUMED CORRECT
UNLESS NOTED OTHERWISE.

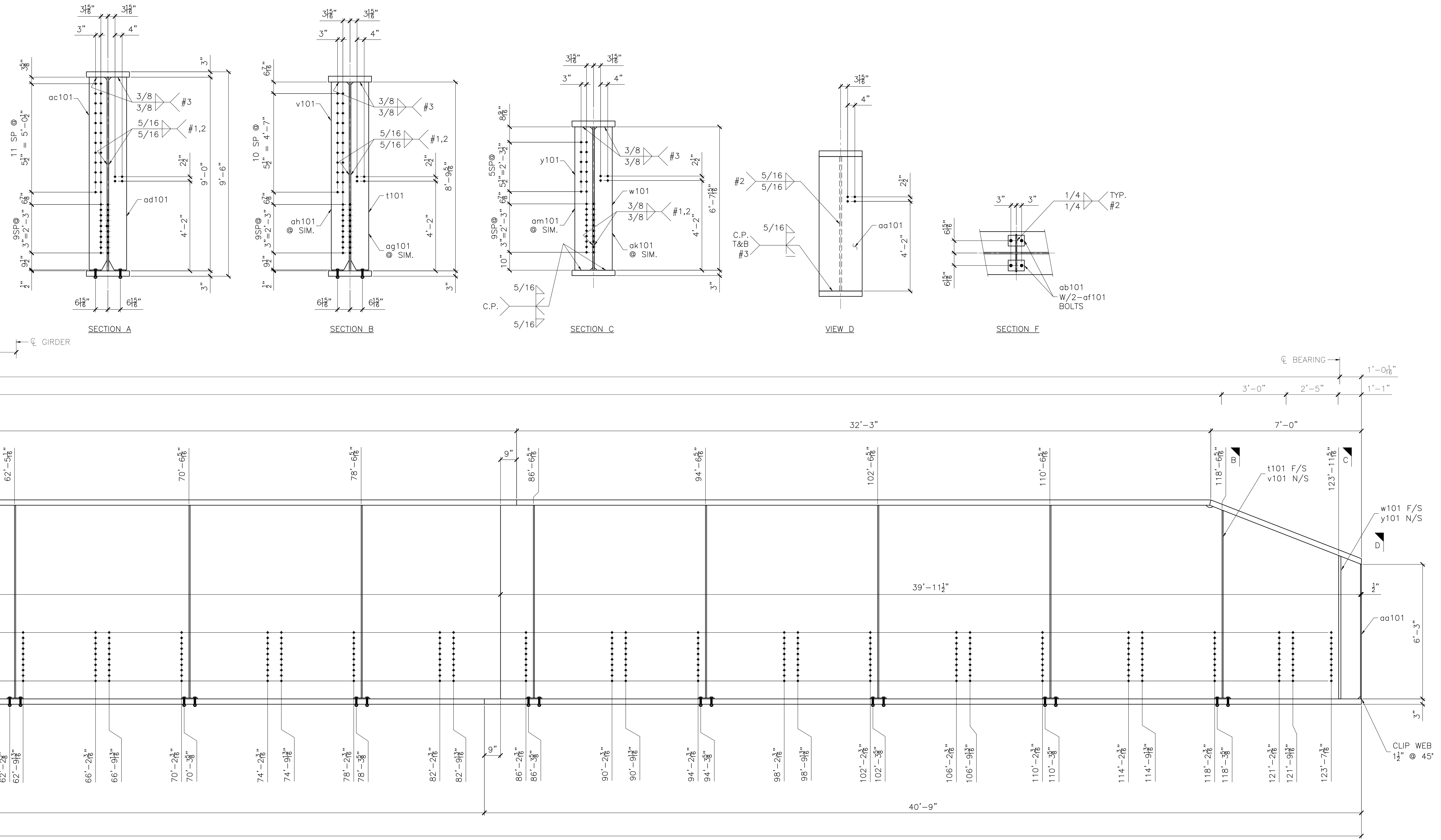
TOLERANCES
(UNLESS OTHERWISE SPECIFIED)
3 PLACE DECIMALS: ± .01
2 PLACE DECIMALS: ± .03
FRACTIONS: ± 1/16
ANGLES: ± 2"
MACHINE FINISHES: 125 U.N.

QTY	TYPE	SIZE	LENGTH	GRADE	REMARKS
NET FIELD BOLTS					

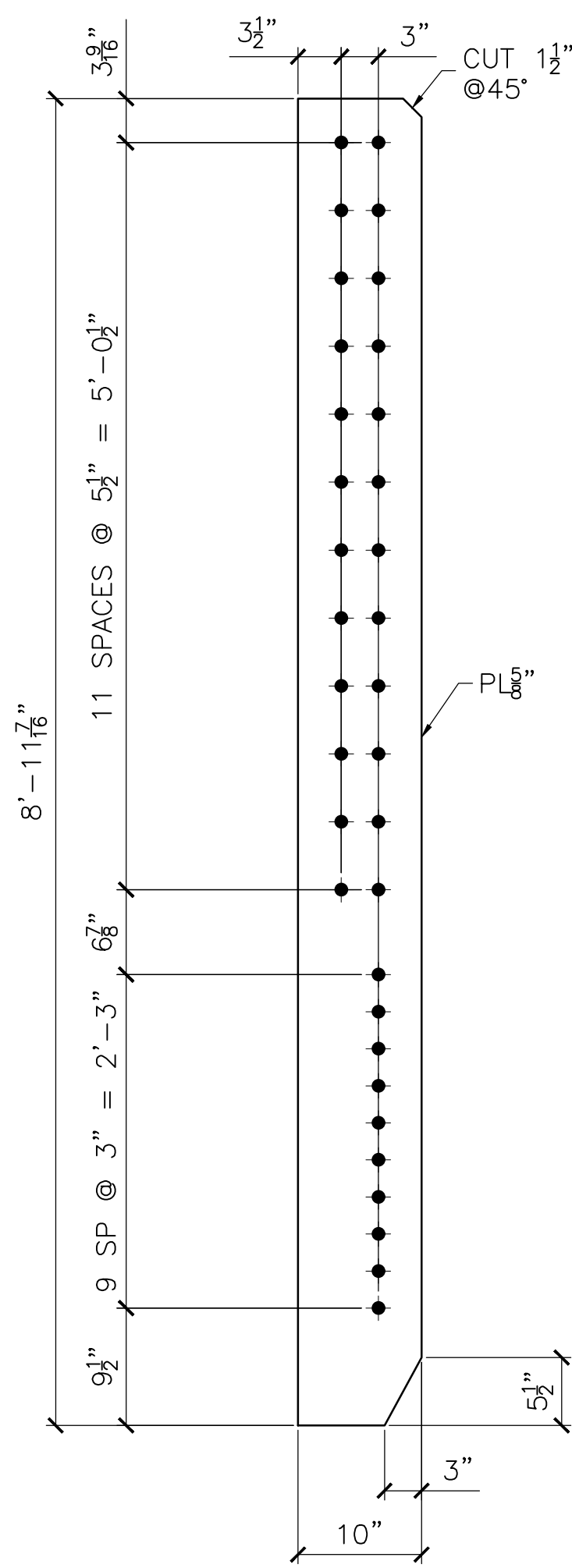
MATERIAL: NOTED	
FINISH: NONE	
HOLES: 15/16" DIA. UNO	WELD: AWS D1.5
REF. DRAWING: E1	
CONTRACTOR:	
ARCHITECT: WILSON & COMPANY	
DETAILER: WEST COAST DRAFTING	

REV	DATE	DESCRIPTION
△	DEC 7/21	REVISED TO SUIT APPROVAL
△	SEPT 23/21	REVISED PER UPDATED DRAWING SET

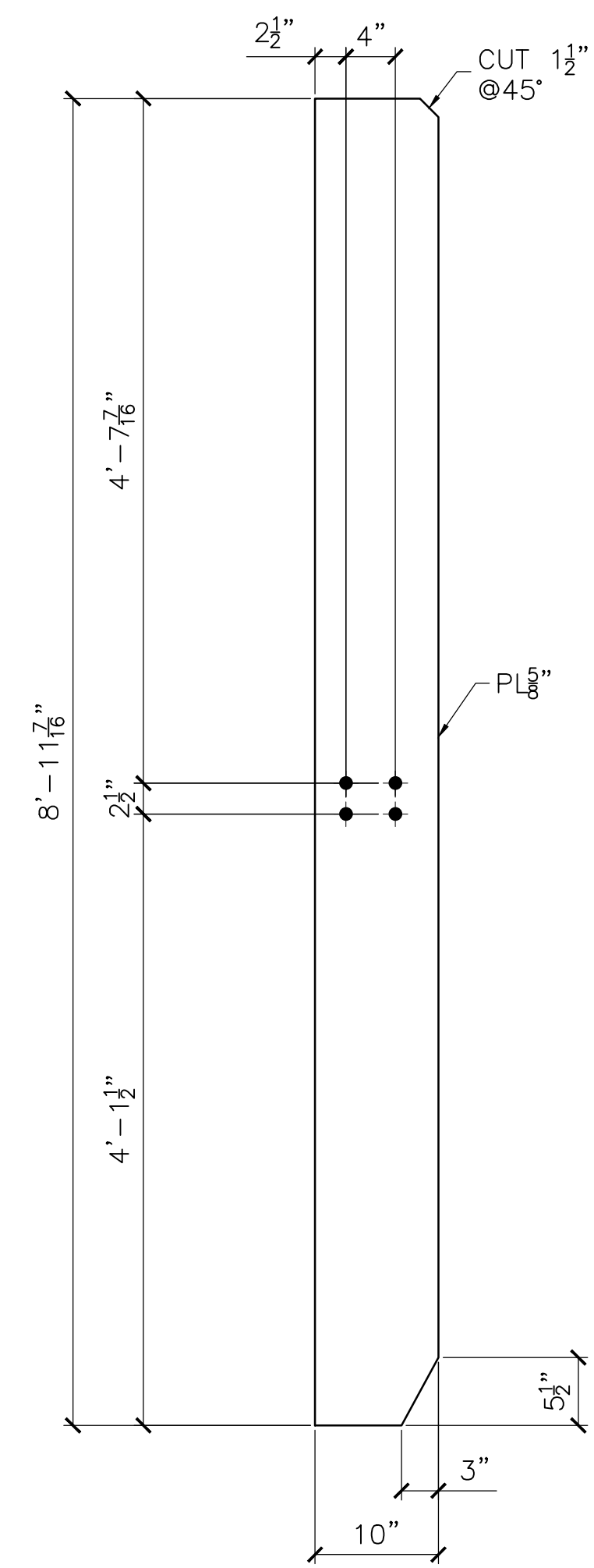
JESSE CO. 1840 MARINE VIEW DRIVE, TACOMA, WASHINGTON 98422 PHONE: (253) 922-7433	
PROJECT: ALASKA RAILROAD CORPORATION	
TITLE: GIRDER LT	
DRAWN: JC	CHK: NB
PROJECT NO. 144223	DRAWING NO. 102
SHEET NO. 1 OF 3	



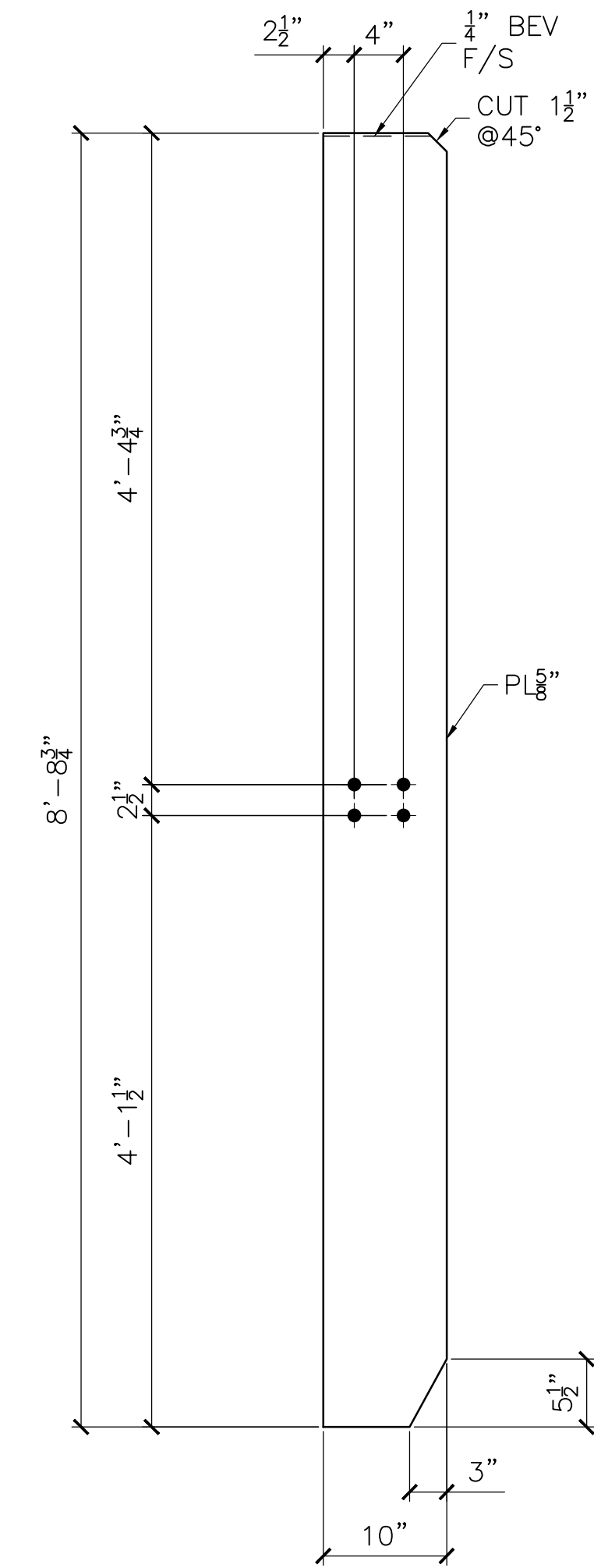
JESSE CO. 1840 MARINE VIEW DRIVE, TACOMA, WASHINGTON 98422 PHONE: (253) 922-7433		
PROJECT: ALASKA RAILROAD CORPORATION 125' STANDARD TPG BRIDGE REPLACEMENT		
TITLE: GIRDER LT		
DRAWN: JC	CHK: NB	
PROJECT NO. 144223	DRAWING NO. 102	SHEET NO. 2 OF 3



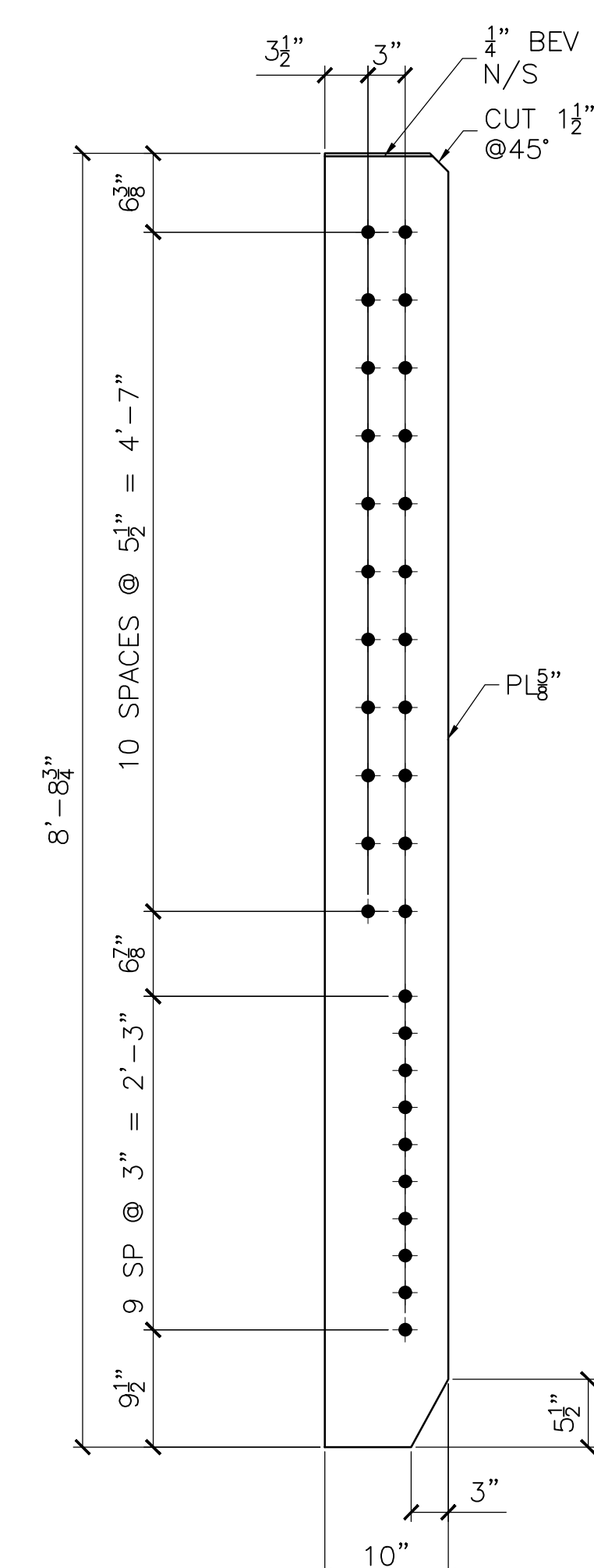
DETAIL OF ac101



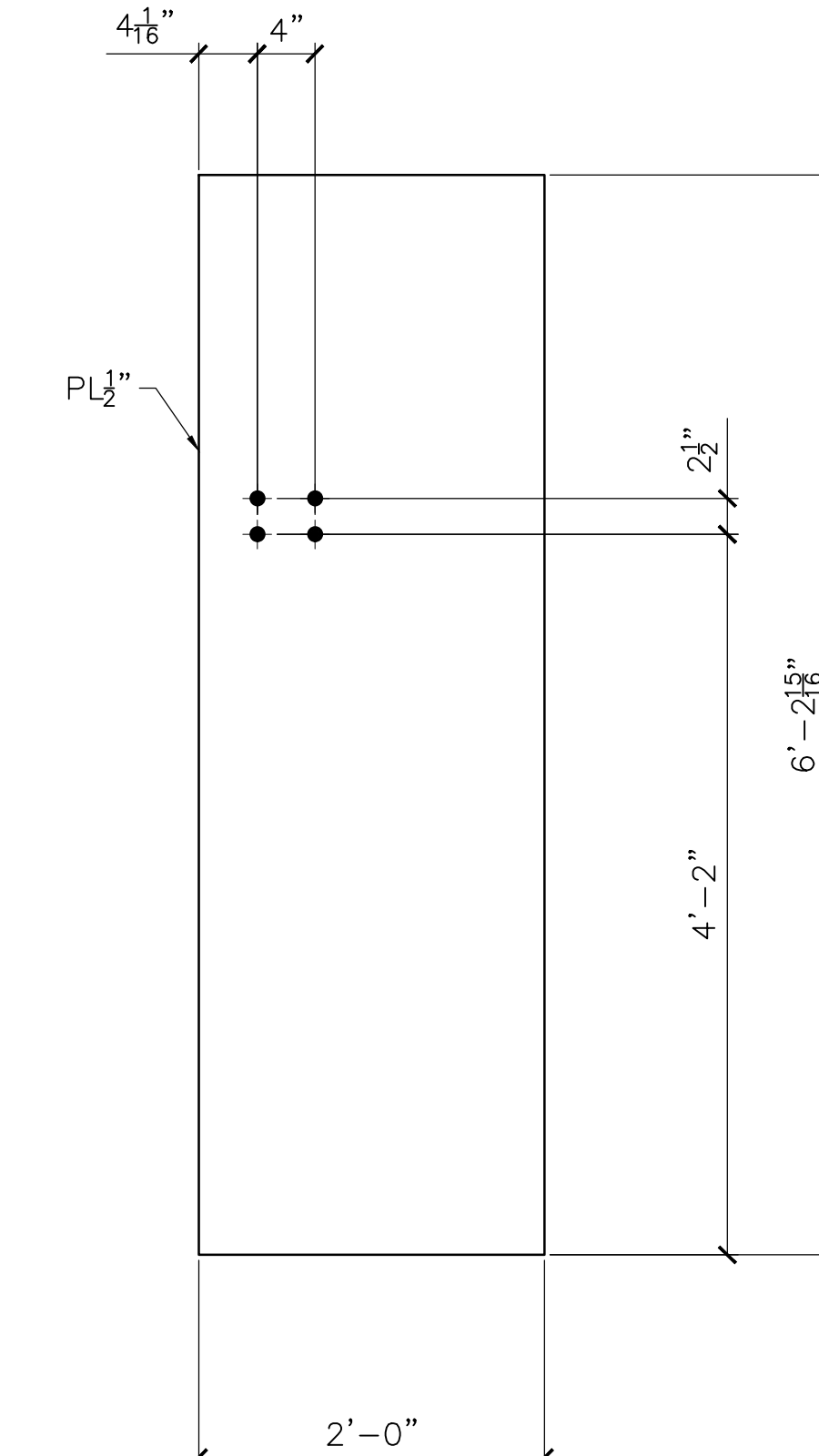
DETAIL OF ad101



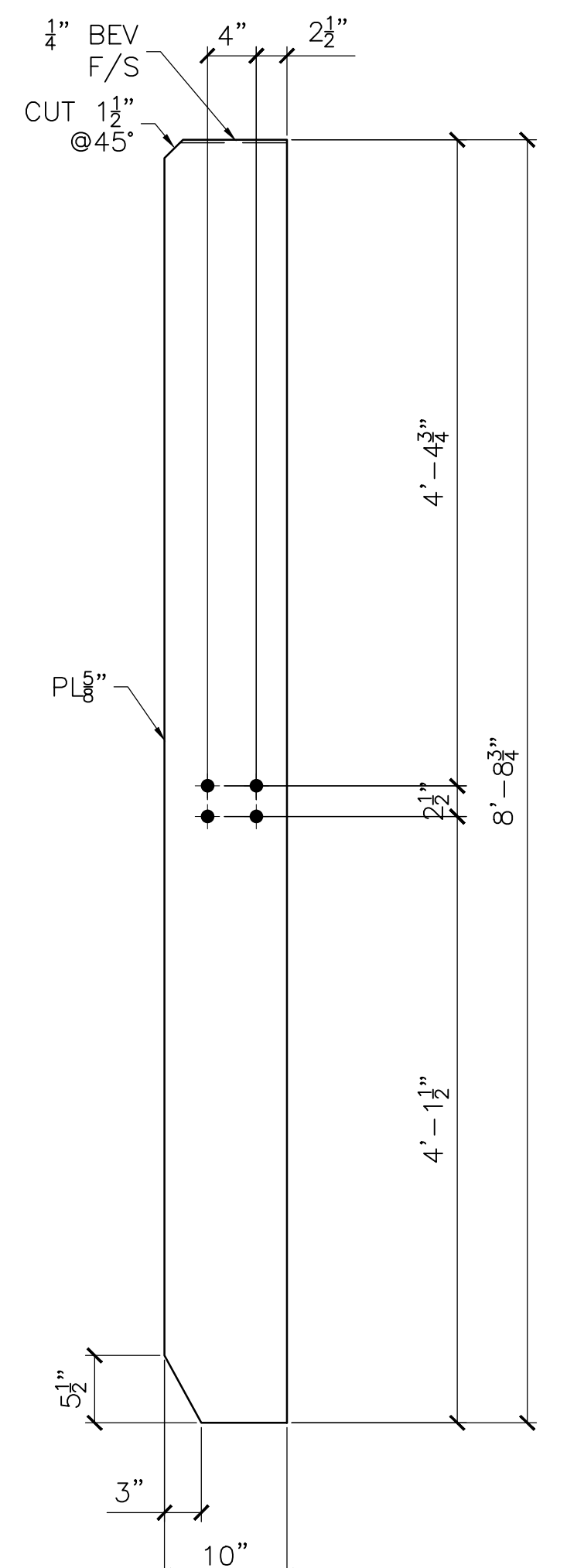
DETAIL OF t101



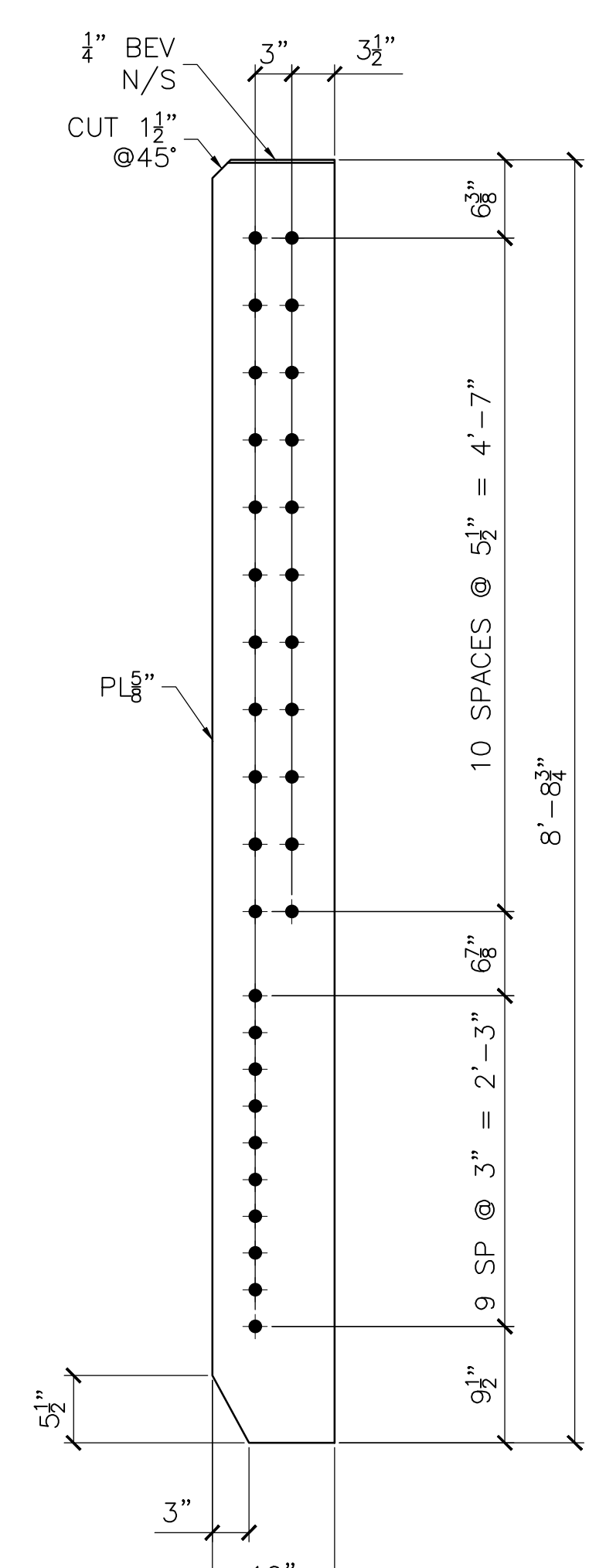
DETAIL OF v101



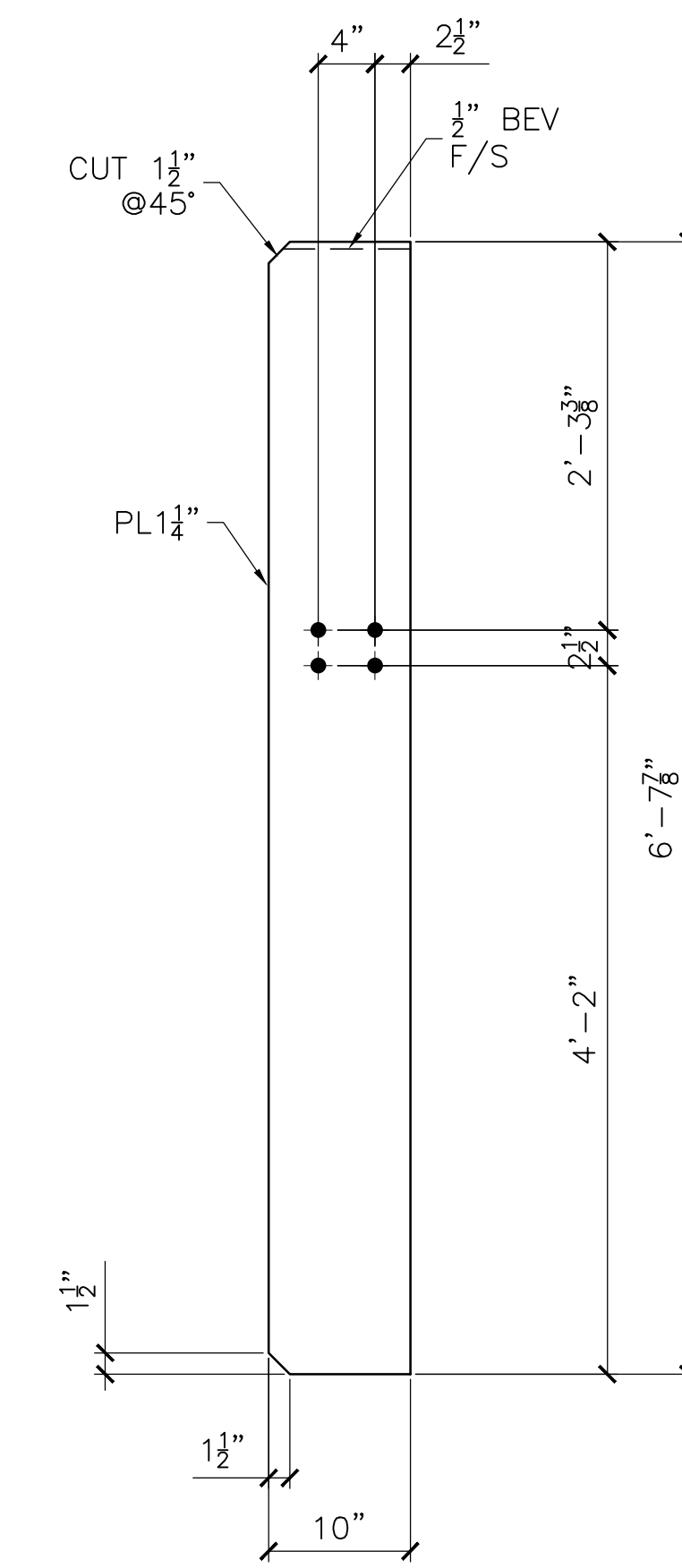
DETAIL OF aa101



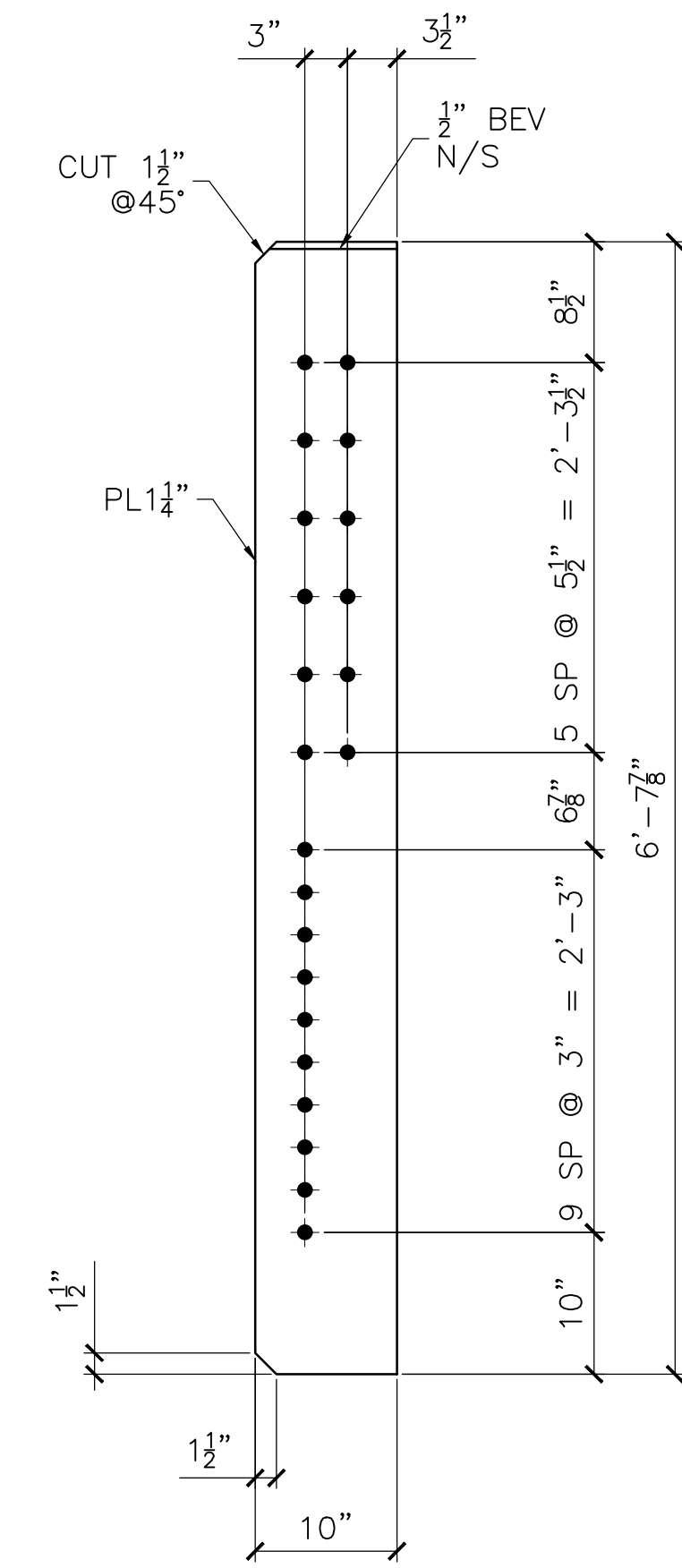
DETAIL OF ag101



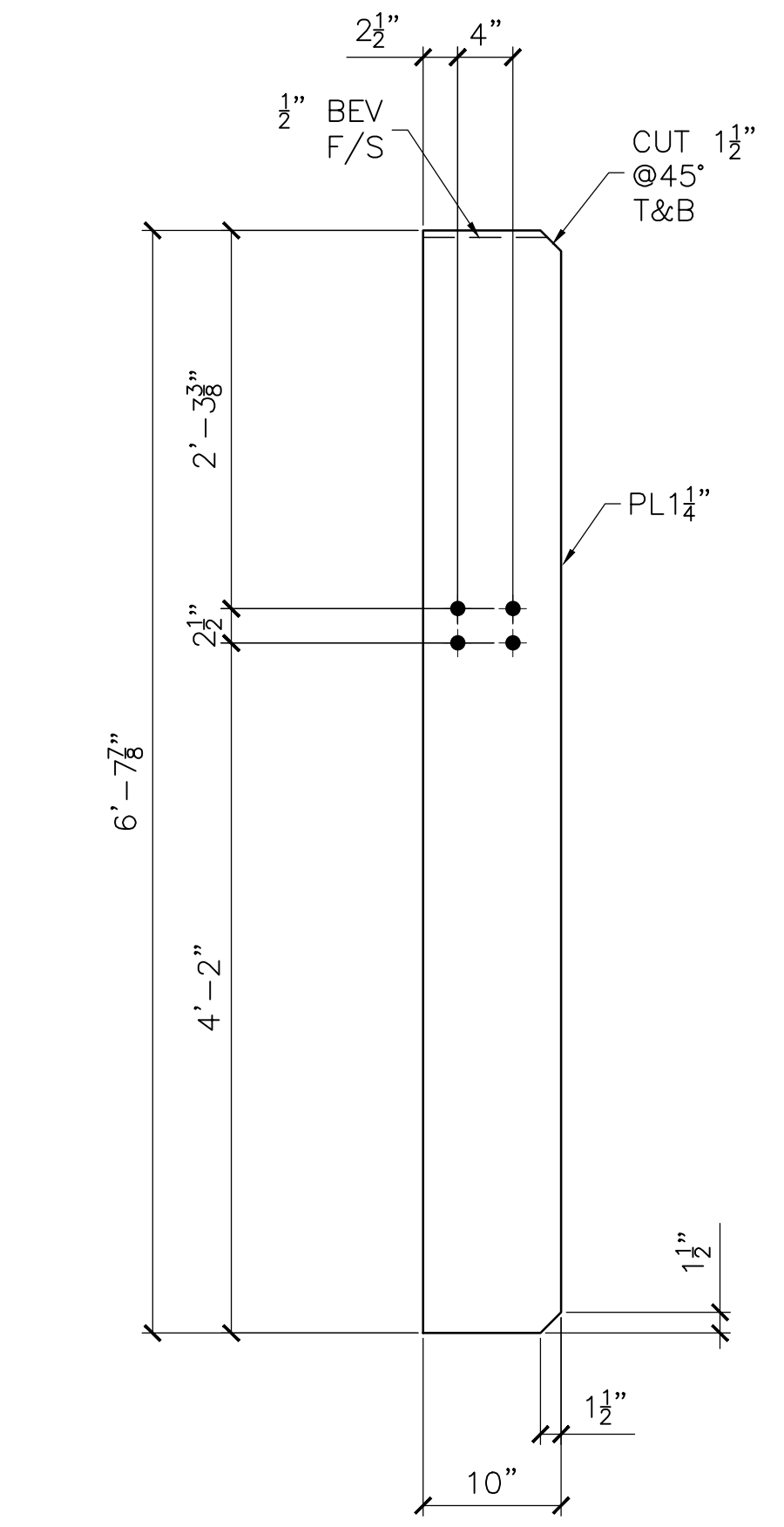
DETAIL OF ah101



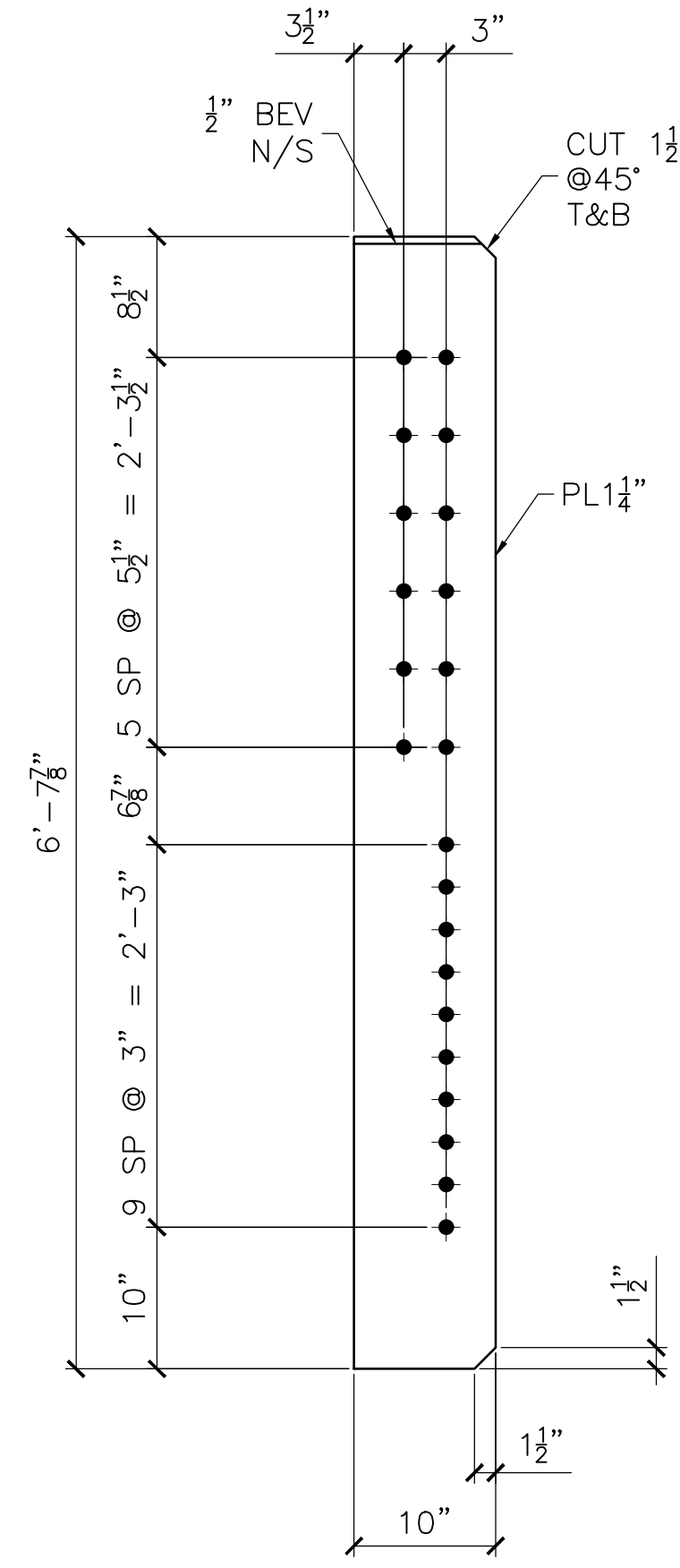
DETAIL OF ak101



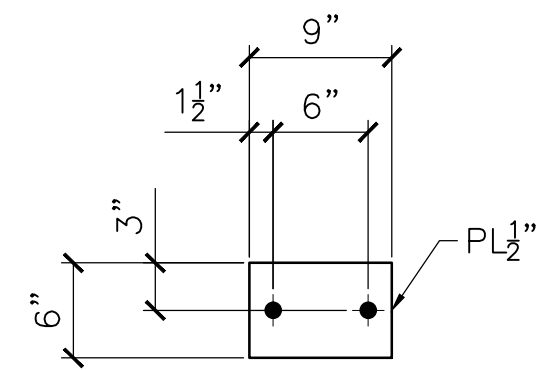
DETAIL OF am101



DETAIL OF w101



DETAIL OF y101



DETAIL OF ab101

BILL OF MATERIAL									
QTY	SHIP MARK	PIECE MARK	TYPE	DESCRIPTION	LENGTH		WEIGHT	MATERIAL GRADE	REMARKS
					FT	IN			
3	102A		MI	GIRDER LT			328415		
3		GR1	MI	GIRDER			305479		
3		t101	PL	5/8X10	8	8 3/4	557	A709-50W	SK
3		v101	PL	5/8X10	8	8 3/4	557	A709-50W	SK
3		w101	PL	1-1/4X10	6	7 7/8	849	A709-50W	SK
3		y101	PL	1-1/4X10	6	7 7/8	849	A709-50W	SK
6		aa101	PL	1/2X24	6	2 15/16	1530	A709-50W	SK
90		ab101	PL	1/2X6		9	689	A709-50W	SK
39		ac101	PL	5/8X10	8	11 7/16	7427	A709-50W	SK
39		ad101	PL	5/8X10	8	11 7/16	7427	A709-50W	SK
180		af101	HS	7/8X4-3/4			239	A325	
3		ag101	PL	5/8X10	8	8 3/4	557	A709-50W	SK
3		ah101	PL	5/8X10	8	8 3/4	557	A709-50W	SK
3		ak101	PL	1-1/4X10	6	7 7/8	849	A709-50W	SK
3		am101	PL	1-1/4X10	6	7 7/8	849	A709-50W	SK

NOTE: FOR FASTENER SPEC SEE E1

P:\125 - ARCC Bird Creek Pylon Truss Bridge Replacement\Drawing Office\Shop Drawings\144223-102-3-C_Dwg\7/2021_310352.PM

JESSE CO.
 1840 MARINE VIEW DRIVE, TACOMA, WASHINGTON 98422
 PHONE: (253) 922-7433

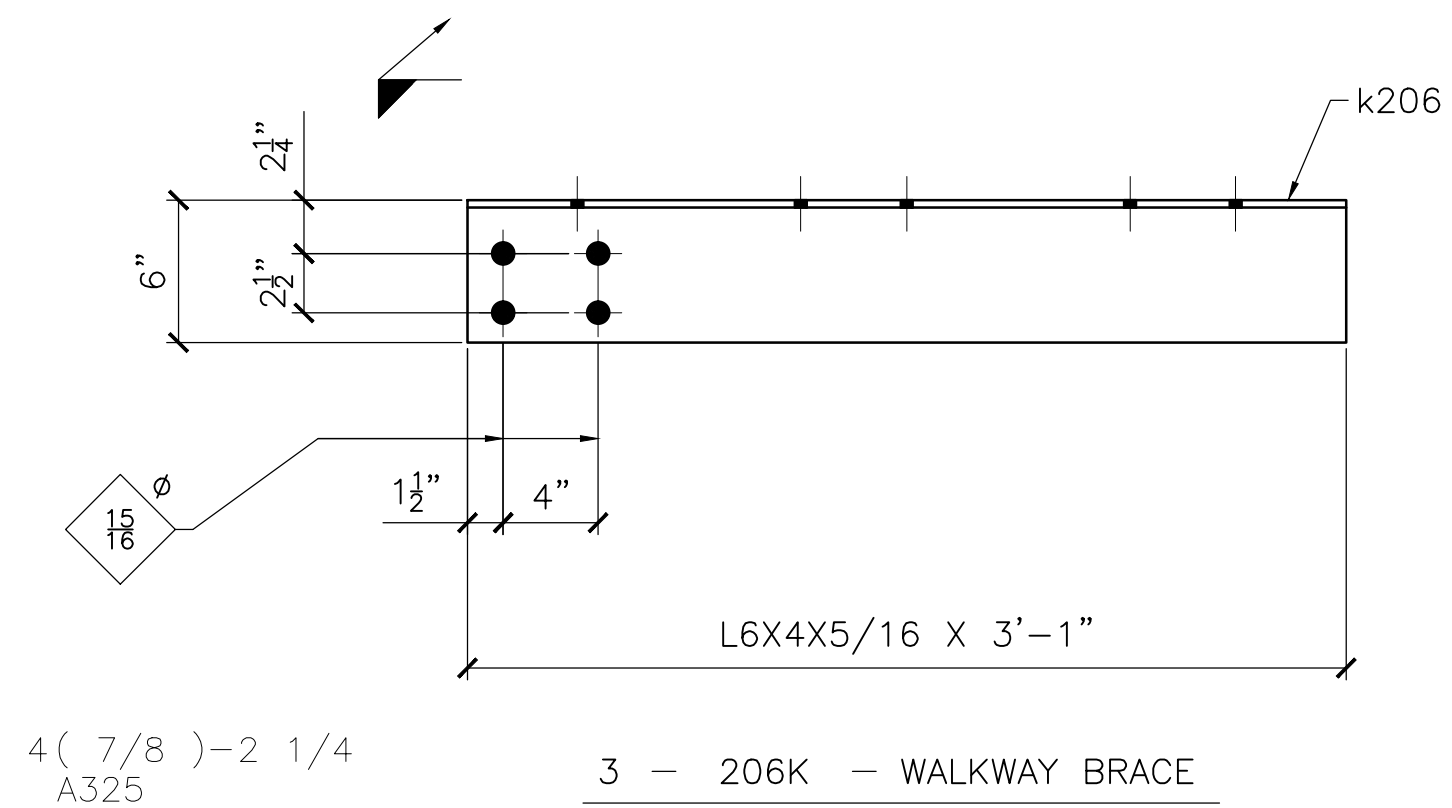
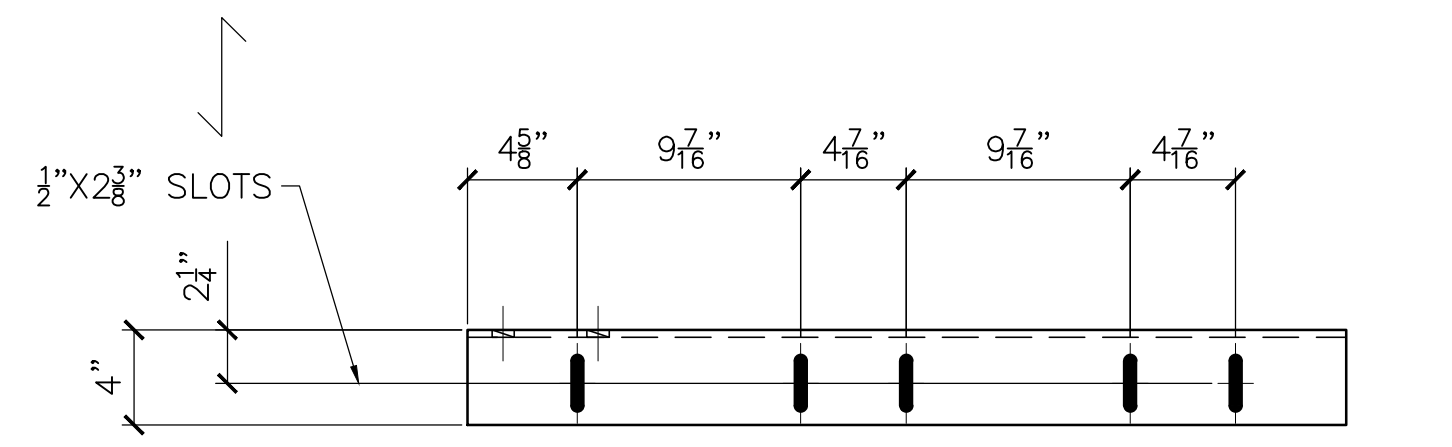
PROJECT: ALASKA RAILROAD CORPORATION
 125' STANDARD TPG BRIDGE REPLACEMENT

TITLE: GIRDER LT

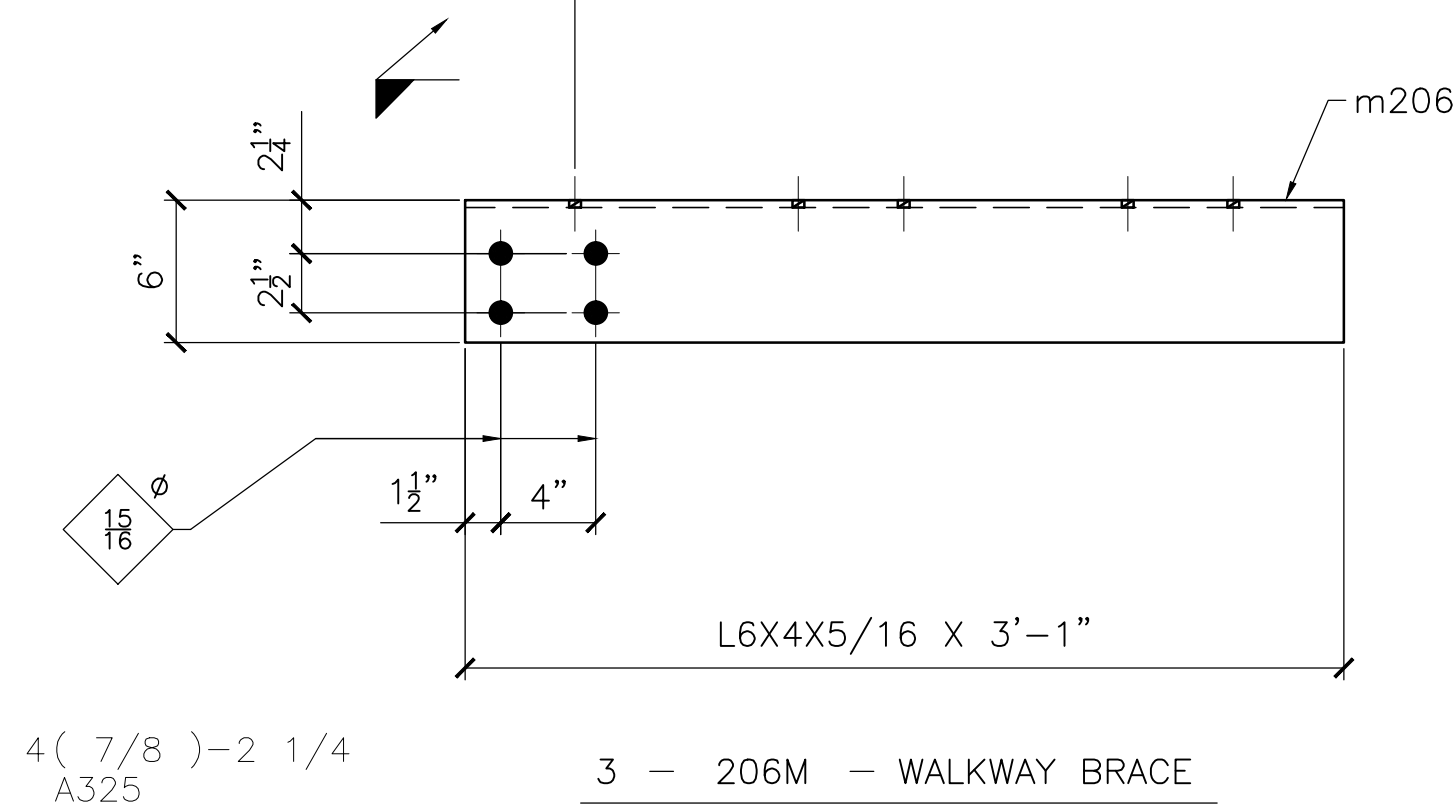
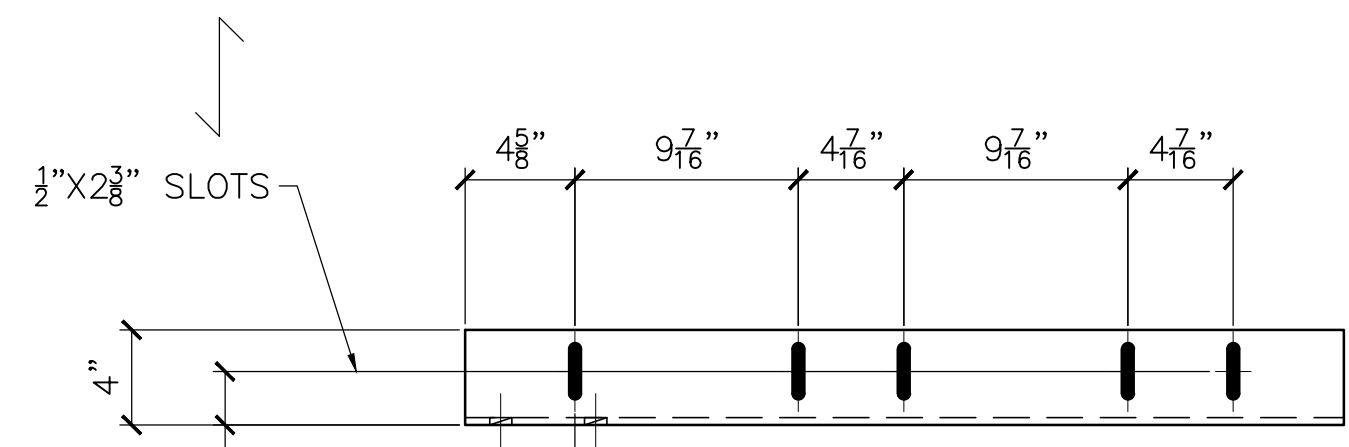
DRAWN: JC CHK: NB

PROJECT NO. 144223 DRAWING NO. 102 SHEET NO. 3 OF 3

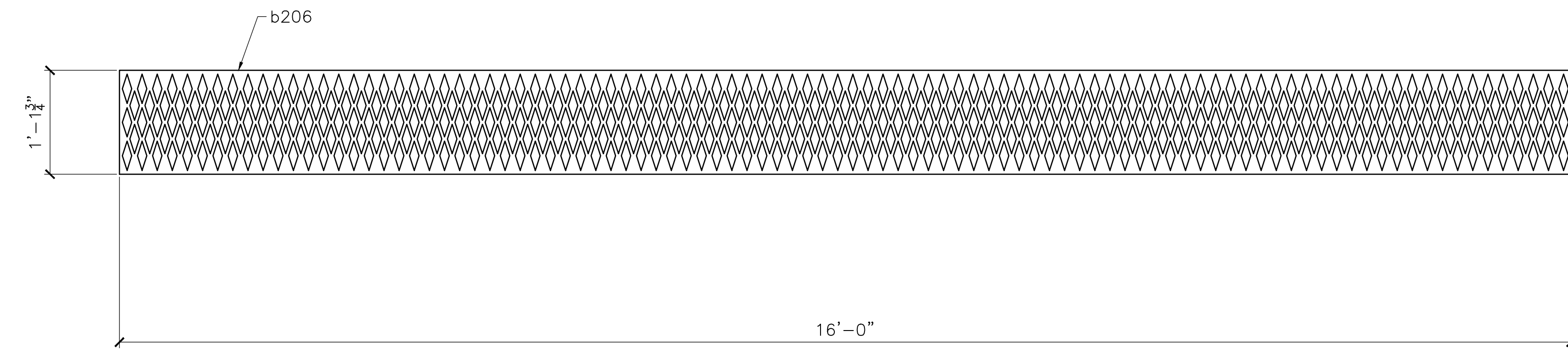
MARK	ZONE	QTY	BILL OF MATERIAL									
			SHIP MARK	PIECE MARK	TYPE	DESCRIPTION	LENGTH		WEIGHT	MATERIAL GRADE	REMARKS	
							FT	IN	LB			
		42	206B	MI	GRATING							
		42	b206	MI	2X13-3/4 H-32010, 10GA. STEEL	16	0				SERRATED GRIP-STRUT GALVANIZED	
		6	206C	MI	GRATING							
		6	c206	MI	2X9-1/4 H-22010, 10GA. STEEL	5	3				SERRATED GRIP-STRUT GALVANIZED	
		39	206D	MI	GRATING							
		39	d206	MI	2X9-1/4 H-22010, 10GA. STEEL	7	10				SERRATED GRIP-STRUT GALVANIZED	
		6	206F	MI	GRATING							
		6	f206	MI	2X9-1/4 H-22010, 10GA. STEEL	10	3/4				SERRATED GRIP-STRUT GALVANIZED	
		6	206G	MI	GRATING							
		6	g206	MI	2X13-3/4 H-32010, 10GA. STEEL	16	1 1/4				SERRATED GRIP-STRUT GALVANIZED	
		3	206H	MI	GRATING							
		3	h206	MI	2X9-1/4 H-22010, 10GA. STEEL	7	11 1/4				SERRATED GRIP-STRUT GALVANIZED	
		3	206K	MI	WALKWAY BRACE				95			
		3	k206	L	6X4X5/16	3	1	95	A709-36			
		3	206M	MI	WALKWAY BRACE				95			
		3	m206	L	6X4X5/16	3	1	95	A709-36			
		540	FA206	MI	3/8-16NCX3-1/2 SQ. SHANK CARRIAGE BOLT					A307	GALV. W/ 3/8" SPLIT WASH.	
		540	FB206	MI	HEAVY DUTY CLIPS						H-BC-10, GALV.	
		540	FC206	NUT	1/2				38	A563-GR DH		
		540	FD206	FW	1/2				10	F436		
		24	FF206	HS	7/8X2-1/4				22	A325	FB W/N&W GALV.	



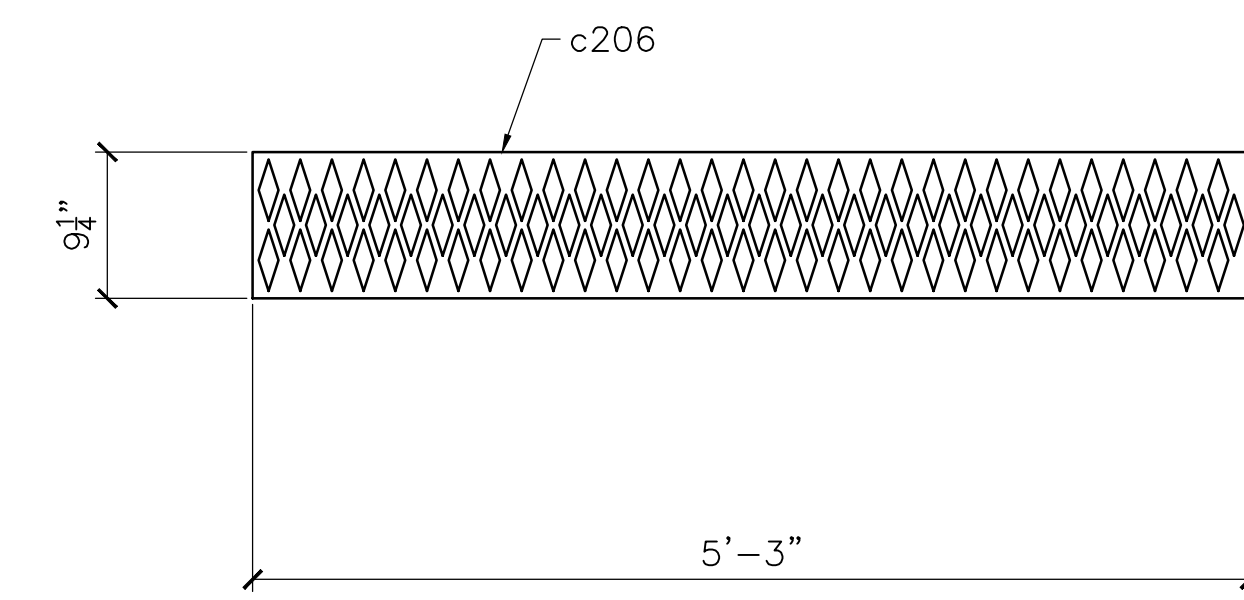
4 (7/8) - 2 1/4
A325
3 - 206K - WALKWAY BRACE



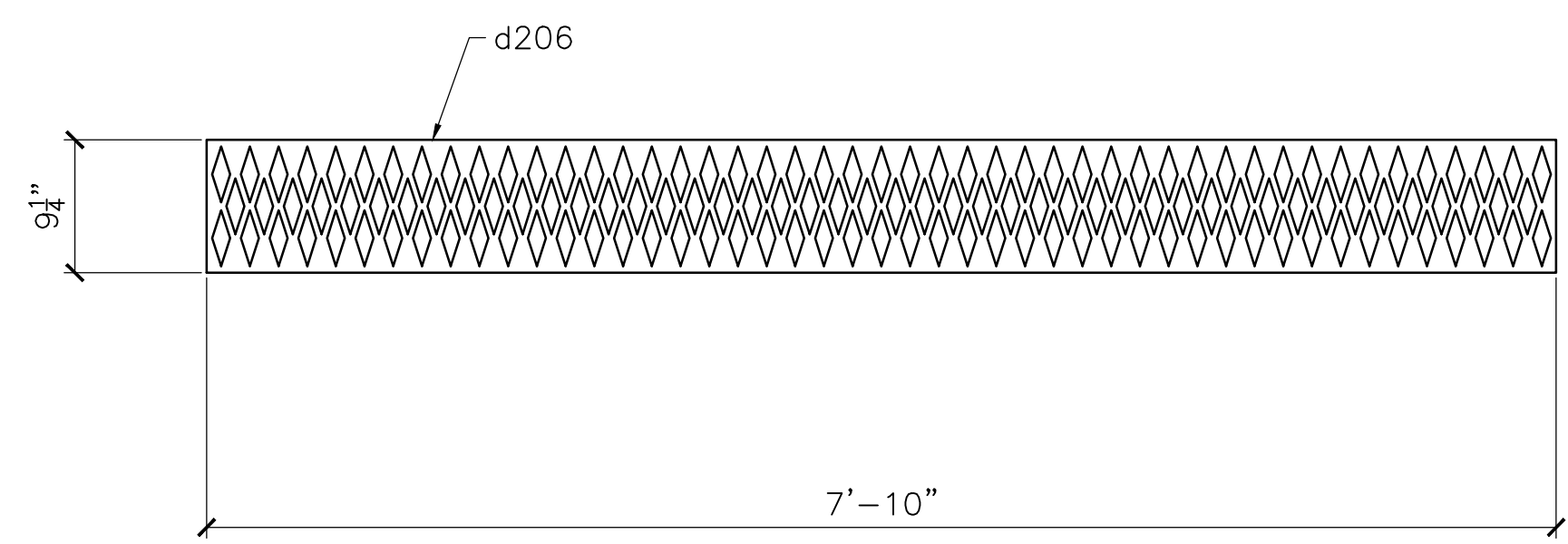
4 (7/8) - 2 1/4
A325
3 - 206M - WALKWAY BRACE



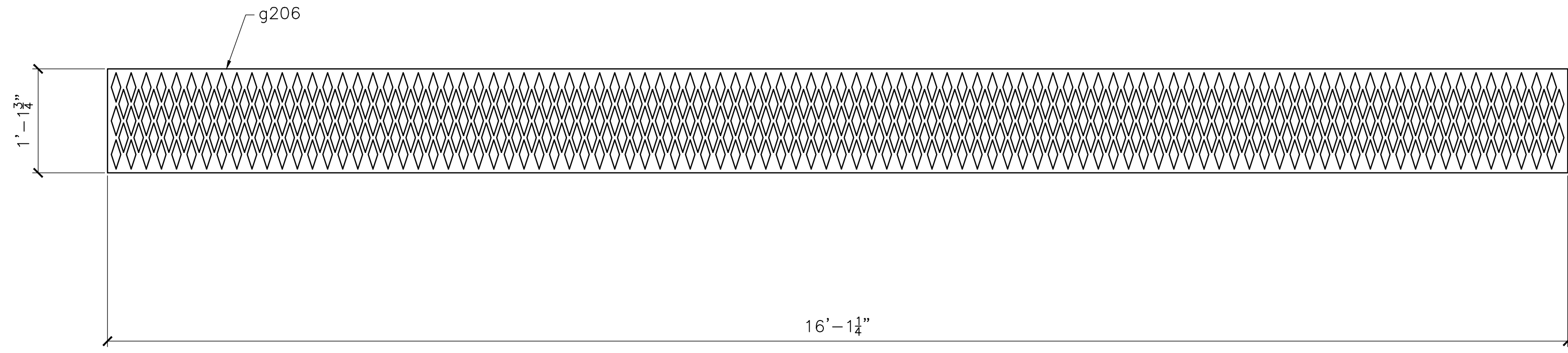
42 - 206B - GRATING
S14 & S16



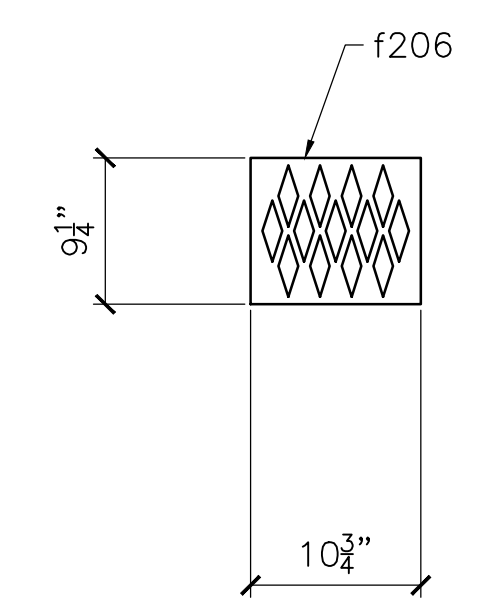
6 - 206C - GRATING
S14 & S16



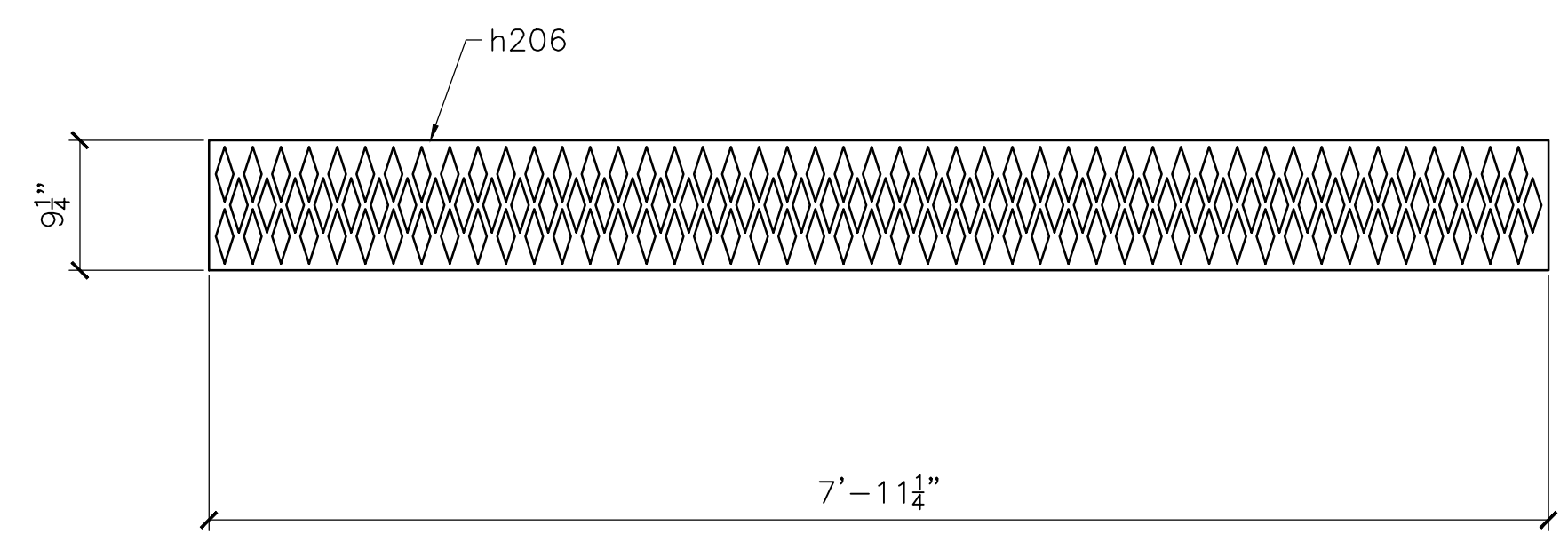
39 - 206D - GRATING
S14 & S16



6 - 206G - GRATING
S14 & S16



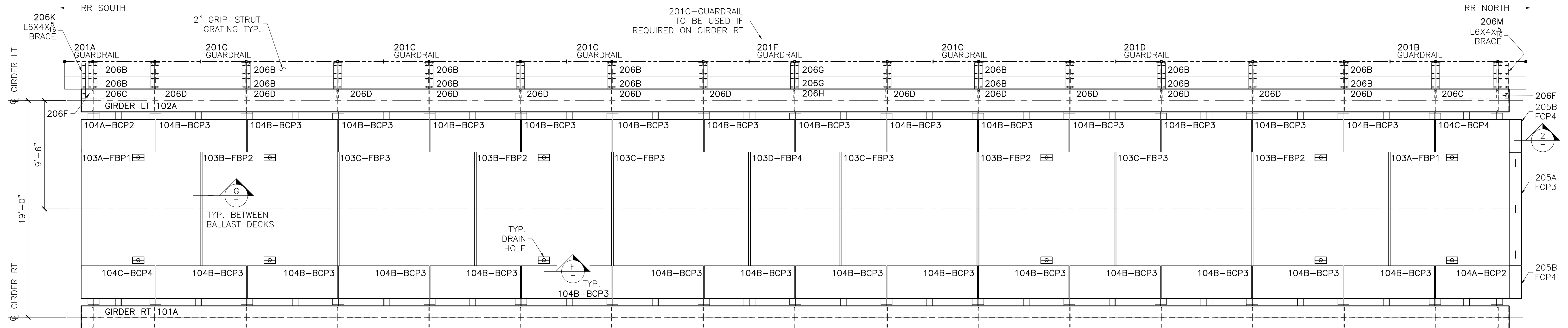
6 - 206F - GRATING
S14 & S16



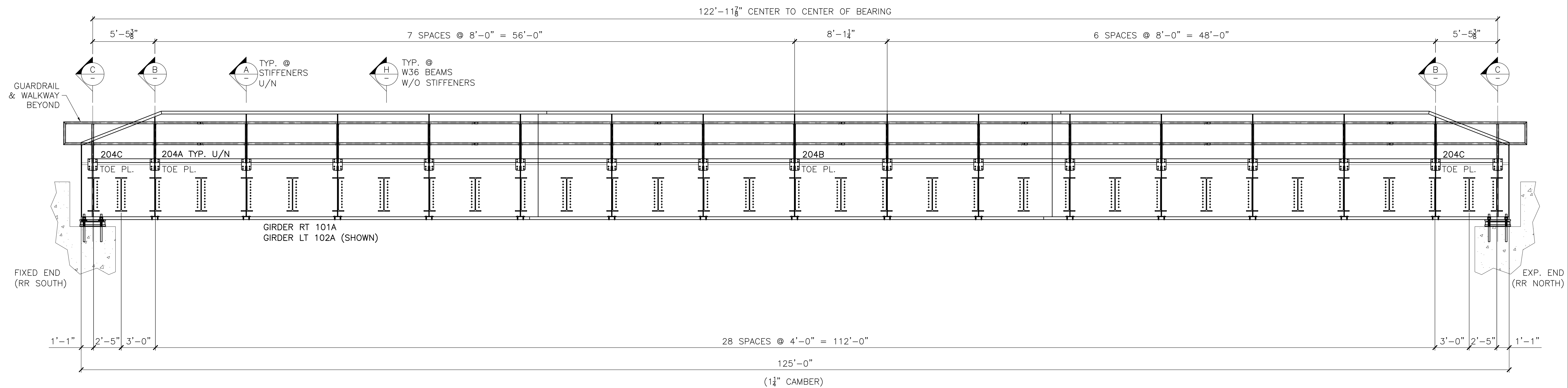
3 - 206H - GRATING
S14 & S16

VERIFICATION OF DIMENSIONS,
DETAILS, ETC... ARE REQUESTED
WHERE INDICATED.
EACH REQUEST FOR VERIFICATION
WILL BE ASSUMED CORRECT
UNLESS NOTED OTHERWISE.

QTY	TYPE	SIZE	LENGTH	GRADE	REMARKS	REV	DATE	DESCRIPTION
NET FIELD BOLTS								
MATERIAL: NOTED								
FINISH: GALVANIZED								
HOLES: NOTED								
WELD:								
REF. DRAWING: S14 S16 E1								
CONTRACTOR:								
ARCHITECT: WILSON & COMPANY								
DETAILER: WEST COAST DRAFTING								
PROJECT: ALASKA RAILROAD CORPORATION 125' STANDARD TPG BRIDGE REPLACEMENT			TITLE: GRIP-STRUT GRATING			 1840 MARINE VIEW DRIVE, TACOMA, WASHINGTON 98422 PHONE: (253) 922-7433		
DRAWN: CC			CHK: MD			PROJECT NO. 144223 DRAWING NO. 206 SHEET NO. 1 OF 1		



TPG BRIDGE PLAN S6-1



TPG BRIDGE ELEVATION S6-2

FASTENER SPECIFICATIONS SCHEDULE

FINAL ERECTION FASTENERS	TEMPORARY BOLTS
HS-HIGH STRENGTH BOLT, ASTM F3125 GR A325, TYPE 3	BOLT, A307
NUT-HEAVY HEX NUT, ASTM A563 GR DH	NUT, A307 GR 2
FW-FLAT WASHER, ASTM F436 TYPE 3	FLAT WASHER, F436
DTI WASHER-DIRECTION TENSION INDICATING TYPE, ZINC, F959-3	
STEEL SPLIT LOCK WASHER, HDG, ASME B18.21.1	
SS BOLT, FINISHED HEX, 316 SS, F593	
SS NUT, FINISHED HEX, 316 SS, F594	
SS WASHER, 316 SS, ASME B18.21.1	
ANCHOR ROD-ASTM F1554 GR 55, HDG PER ASTM A153	
CARRIAGE BOLT, HDG, A307, GR 2	
HEADED ANCHOR STUD-ASTM A108 GR 1015 OR 1020, HDG PER ASTM A153	

TEMPORARY BOLT LOCATIONS

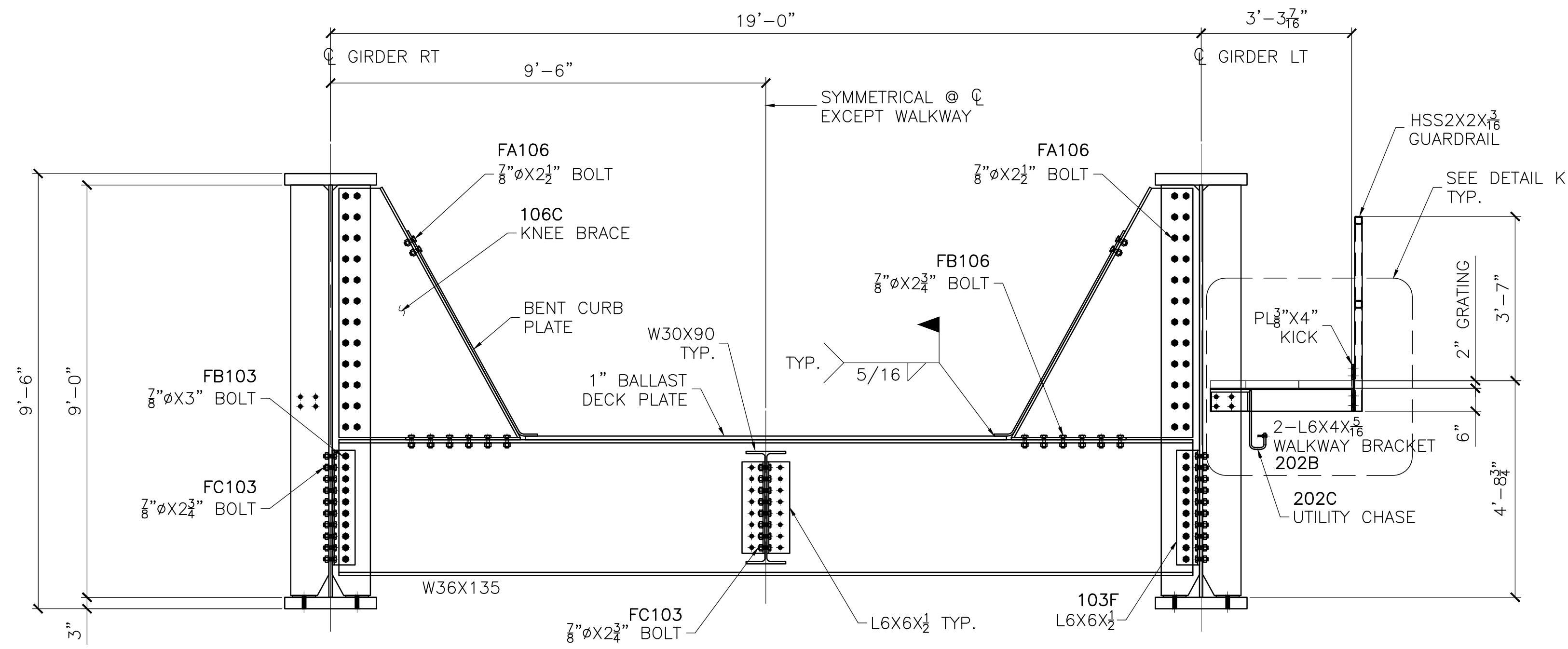
- 1) RT GIRDER; WALKWAY SUPPORT MOUNTING HOLES.
- 2) LONGITUDINAL FLOOR SUPPORT BEAM CONNECTION ANGLE MOUNTING HOLES

VERIFICATION OF DIMENSIONS, DETAILS, ETC... ARE REQUESTED WHERE INDICATED. EACH REQUEST FOR VERIFICATION WILL BE ASSUMED CORRECT UNLESS NOTED OTHERWISE.

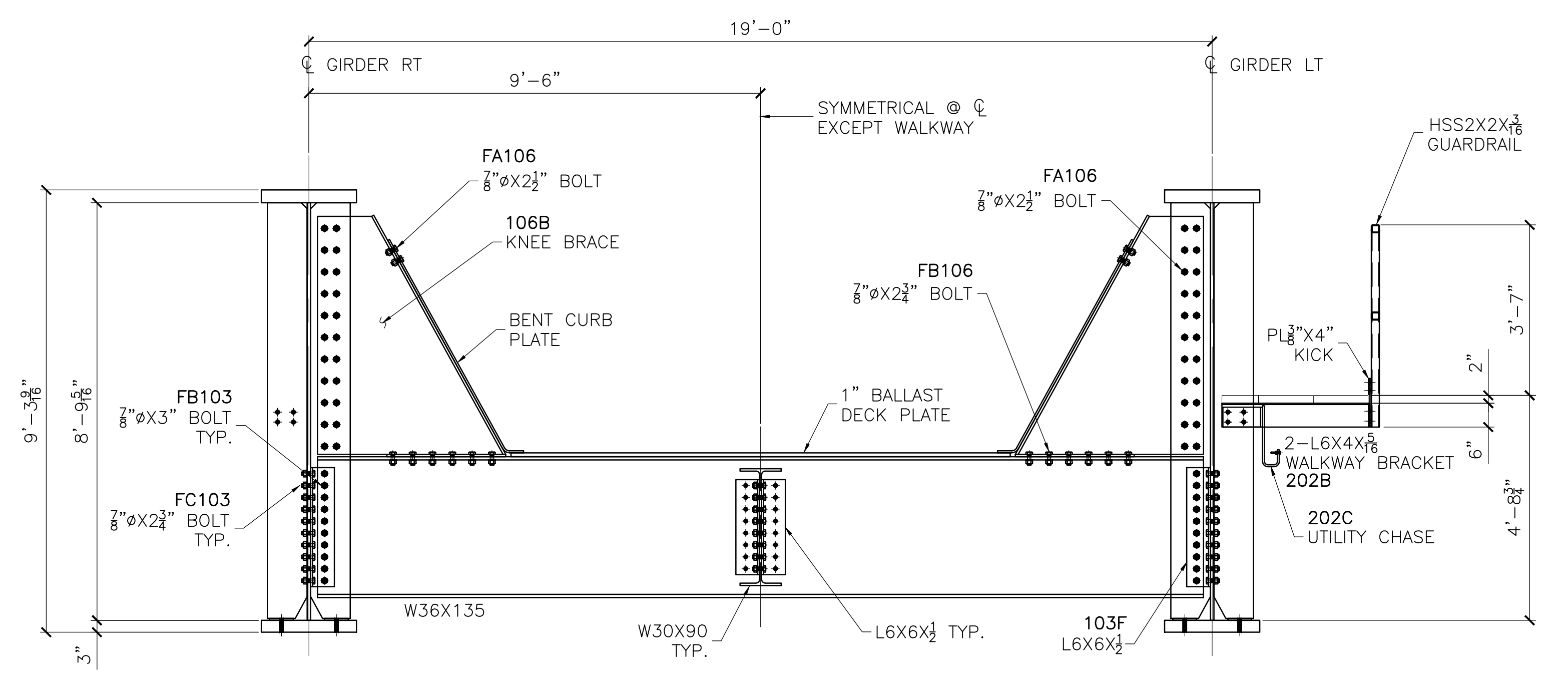
MATERIAL:	
FINISH:	
HOLES:	WELD:
REF.DRAWING: S6, S7, S8	
CONTRACTOR:	CHK: NB
ARCHITECT: WILSON & COMPANY	
DETAILER: WEST COAST DRAFTING	

REV	DATE	DESCRIPTION
△	DEC 7/21	REVISED TO SUIT APPROVAL
△	NOV 22/21	REVISED TO SUIT APPROVAL
△	SEPT 23/21	REVISED PER UPDATED DRAWING SET

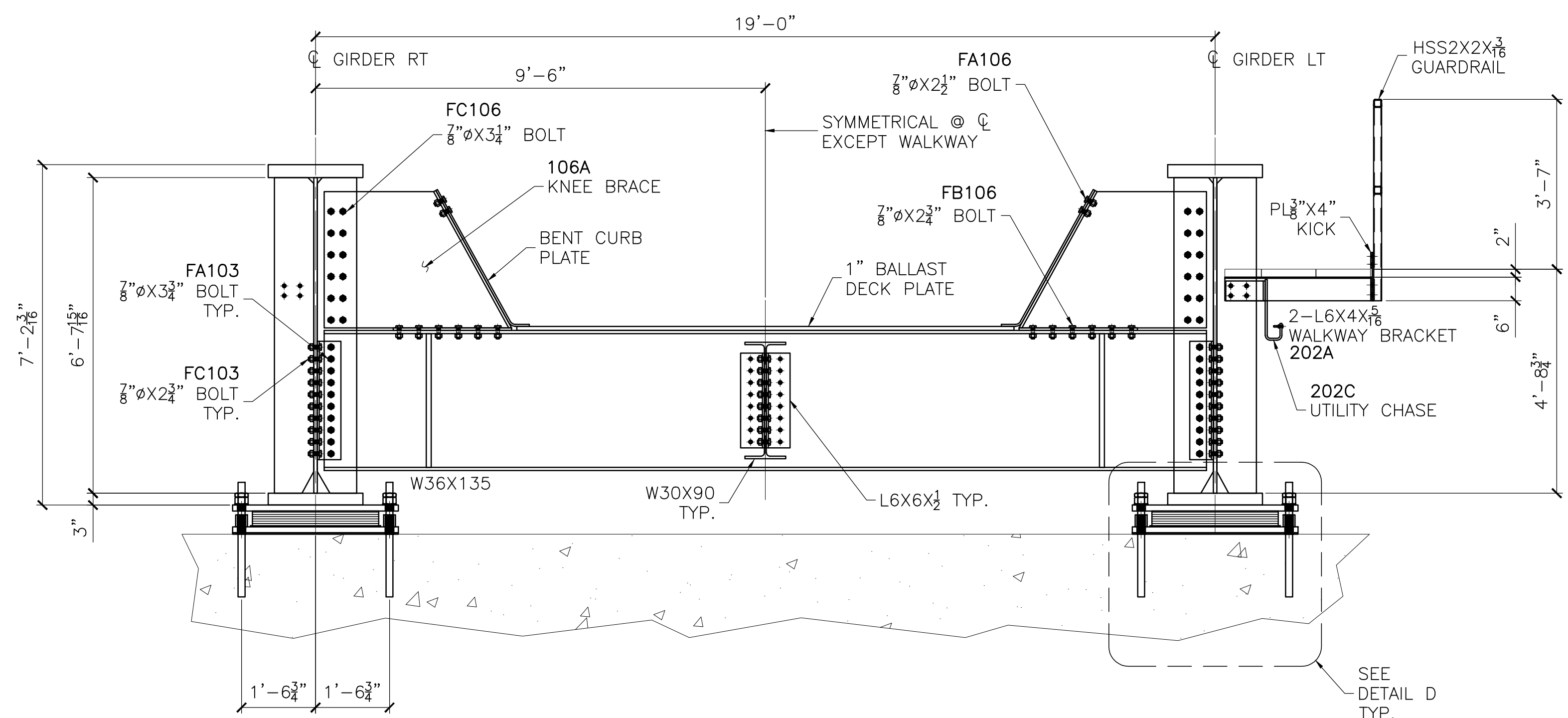
JESSE CO.		
1840 MARINE VIEW DRIVE, TACOMA, WASHINGTON 98422 PHONE: (253) 922-7433		
PROJECT: ALASKA RAILROAD CORPORATION		
REF. DRAWING: 125' STANDARD TPG BRIDGE REPLACEMENT		
TITLE: BRIDGE PLAN & ELEVATION		
DRAWN: JC	CHK: NB	
PROJECT NO. 144223	DRAWING NO. E1	SHEET NO. 1 OF 2



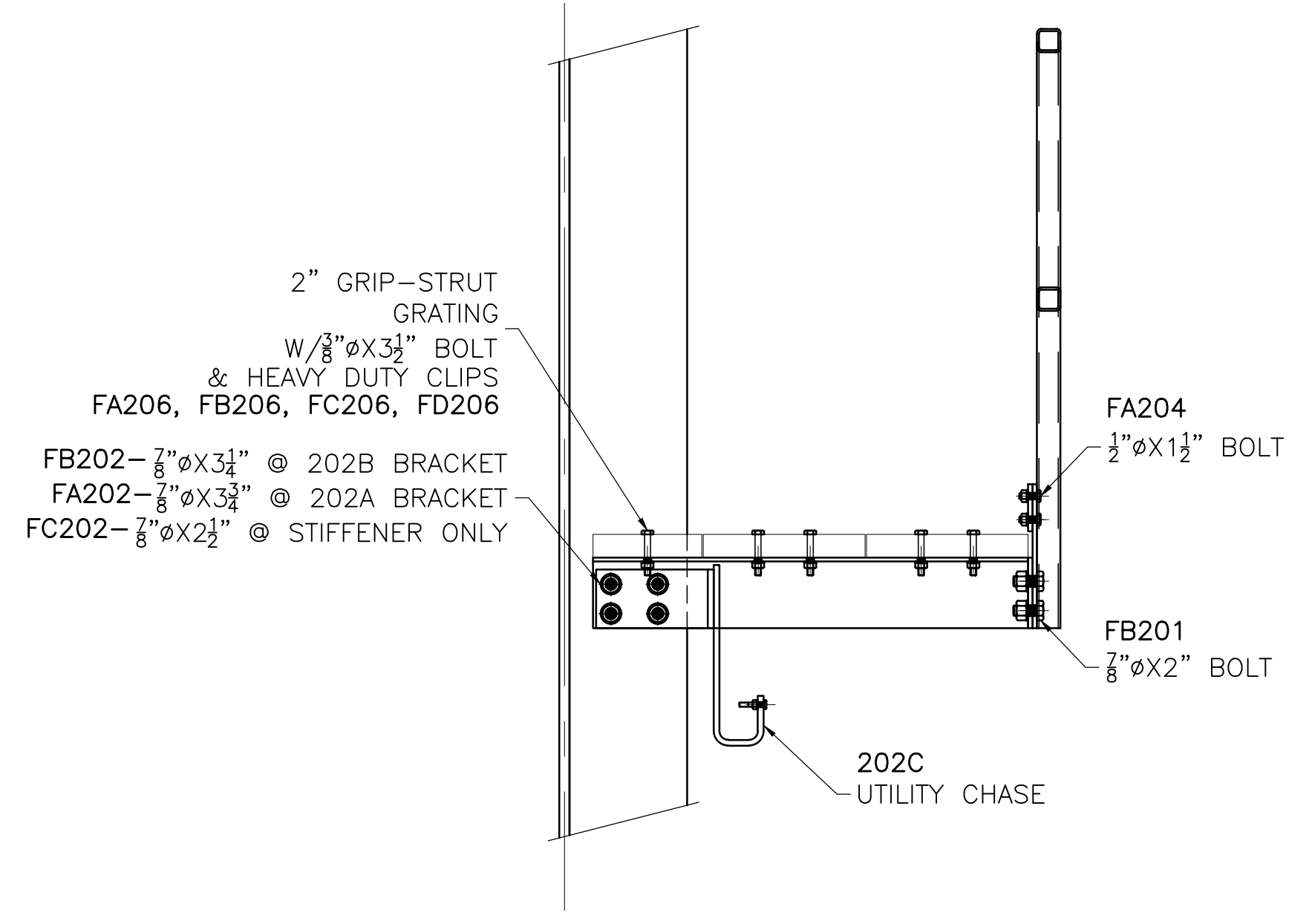
TYPICAL TPG BRIDGE SECTION A



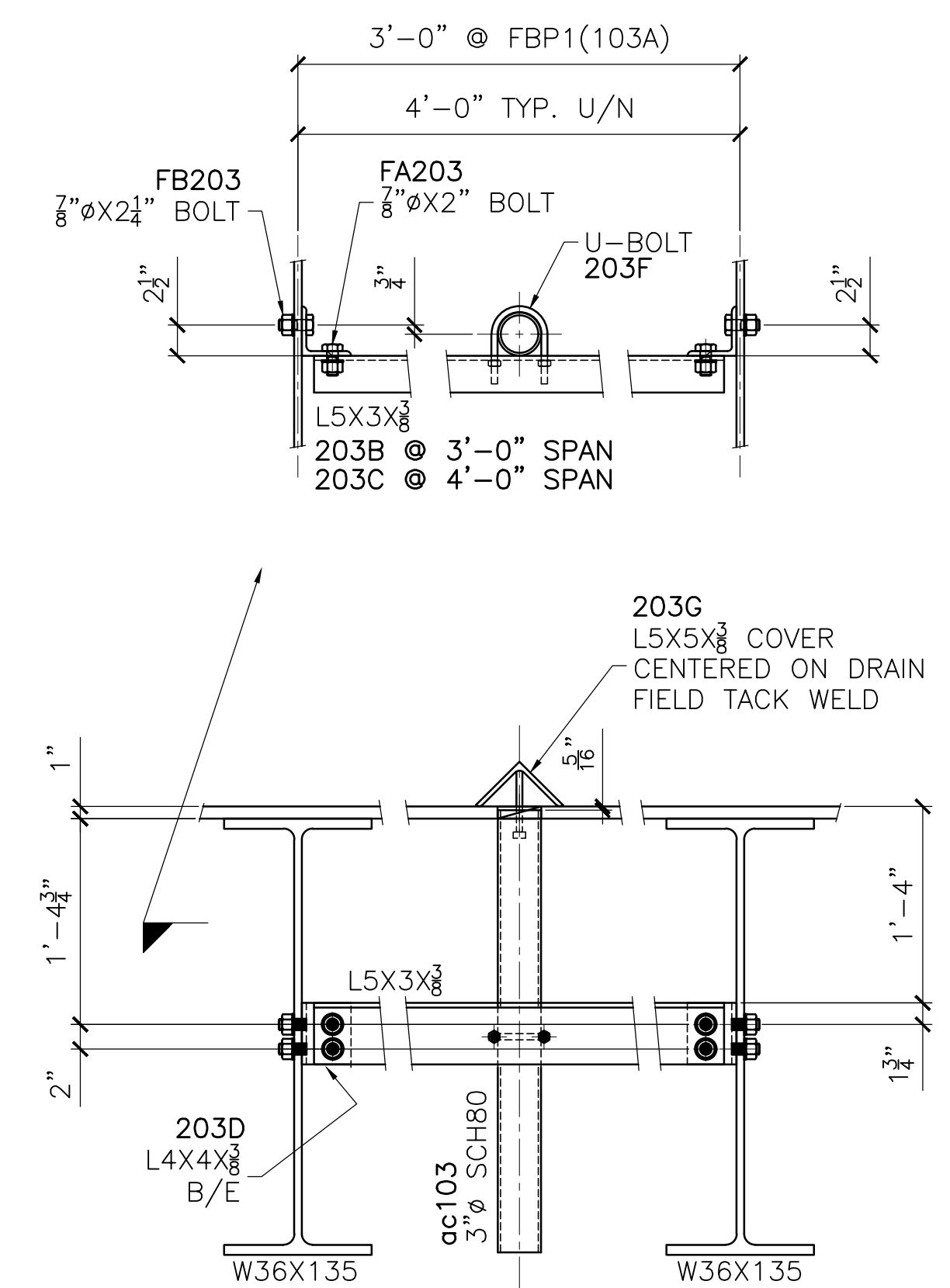
TPG BRIDGE SECTION B



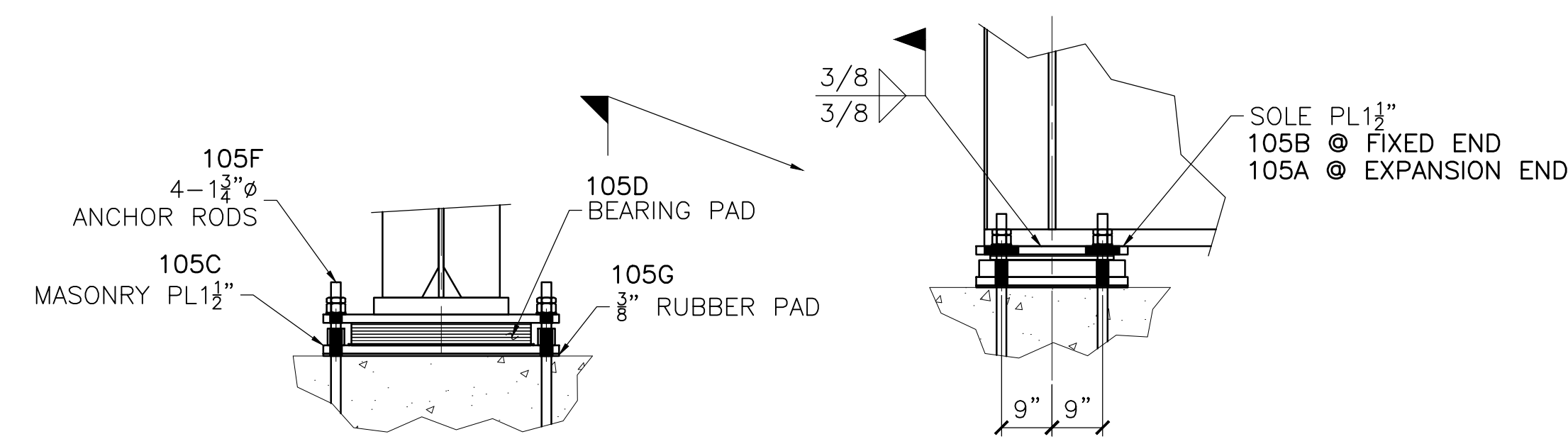
TPG BRIDGE SECTION C



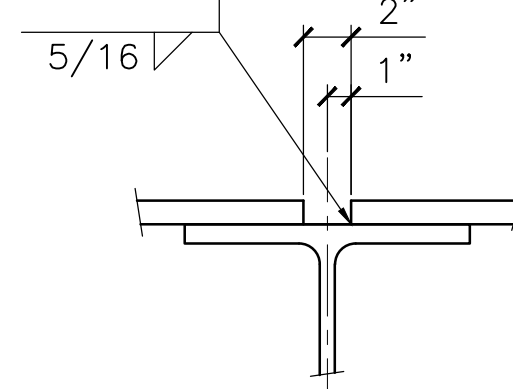
WALKWAY SUPPORT K



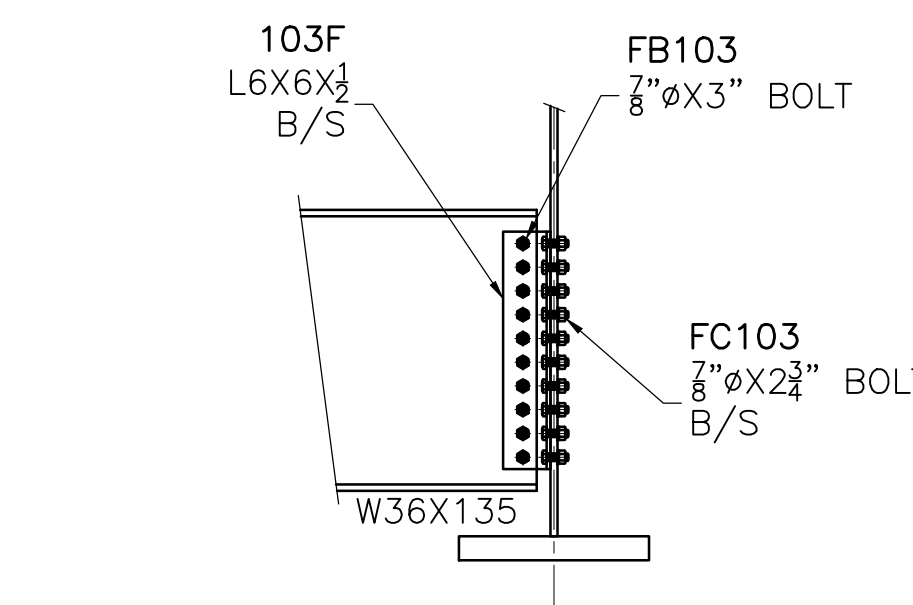
OUTLET PIPE ASSEMBLY F



BEARING DETAIL D



TYPICAL BALLAST DECK CLOSURE WELD G



TYP. BEAM TO GIRDER W/O STIFFENER H

P:\125 - ARCC Bird Creek Trestle Bridge Replacement\Drawing Office\Shop Drawings\144223-E1-2-D. Rev/7/2021 3:08:17 PM

JESSE CO. 1840 MARINE VIEW DRIVE, TACOMA, WASHINGTON 98422 PHONE: (253) 922-7433		
PROJECT: ALASKA RAILROAD CORPORATION 125' STANDARD TPG BRIDGE REPLACEMENT		
TITLE: BRIDGE SECTION & DETAILS		
DRAWN: JC	CHK: NB	
PROJECT NO. 144223	DRAWING NO. E1	SHEET NO. 2 OF 2