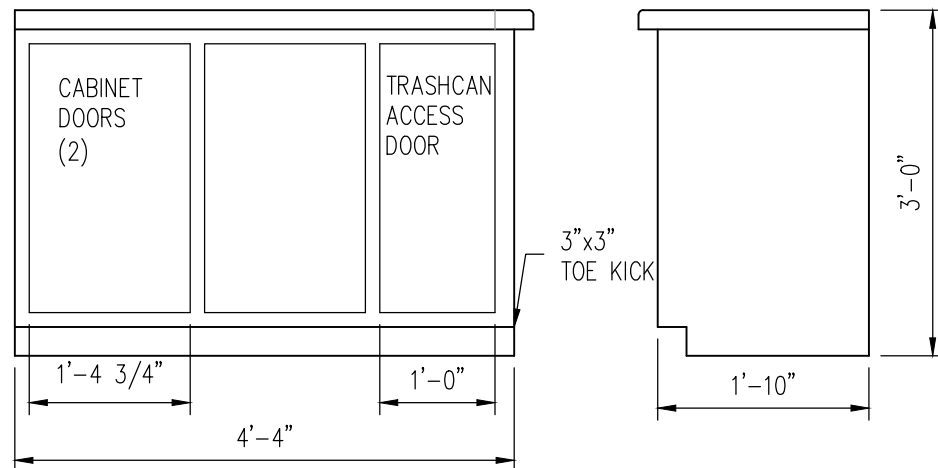
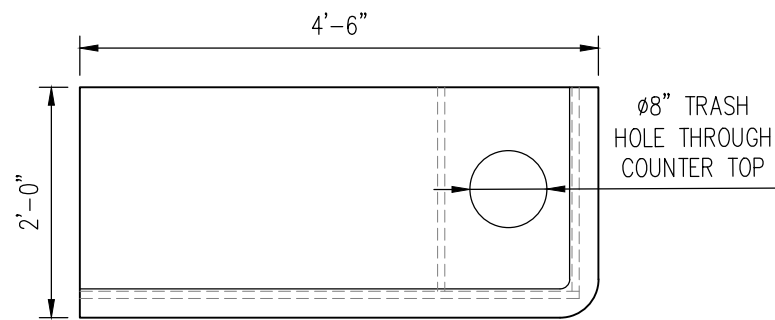
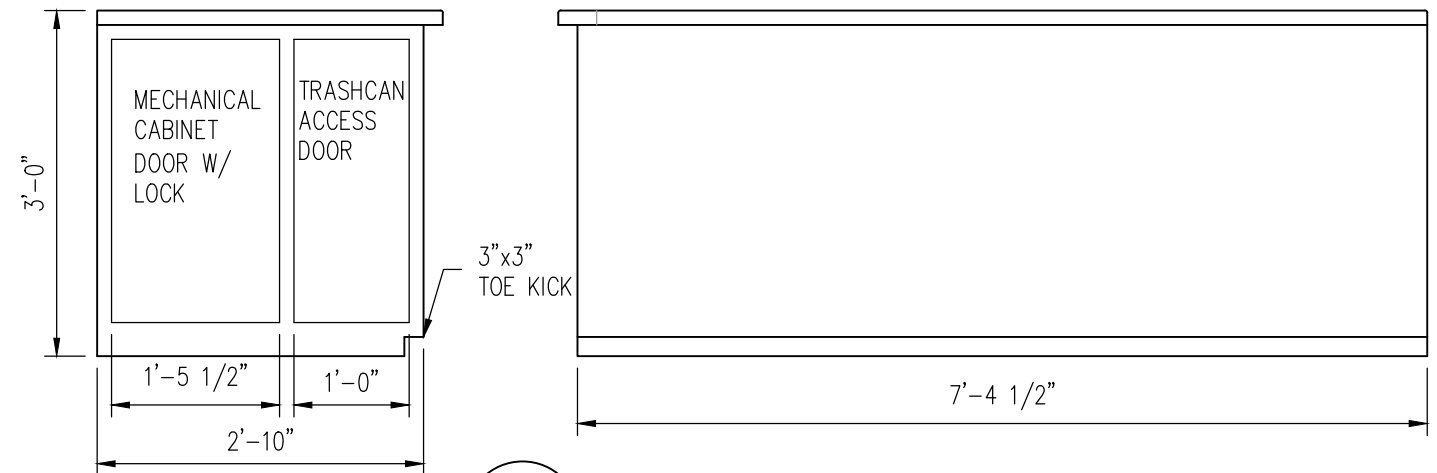
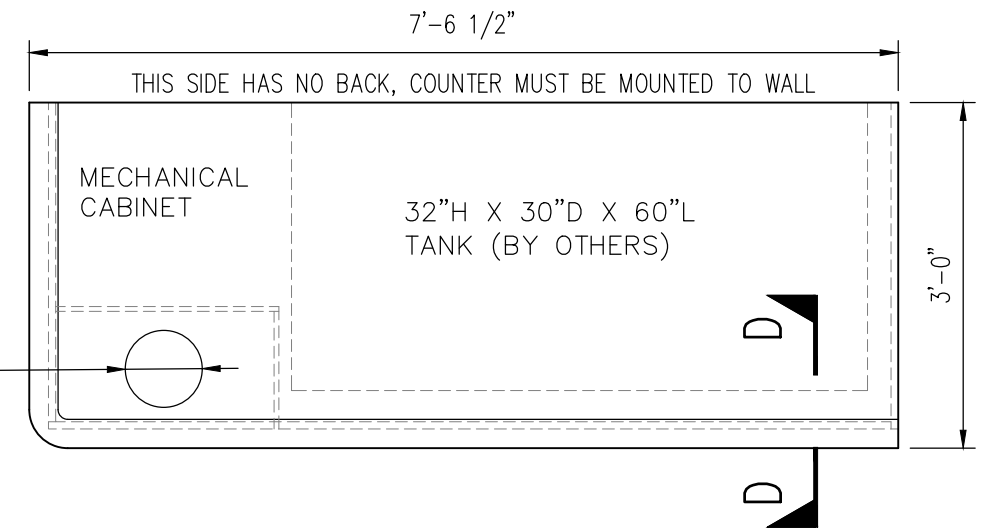


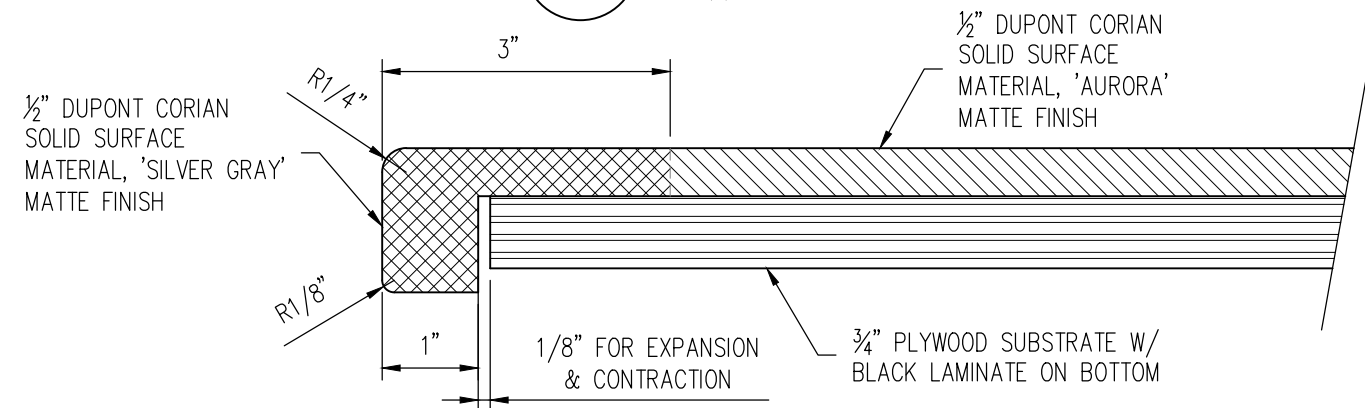
**A**  
1  
ARR 352 CONDIMENT CABINET & COUNTER  
QTY (1) REQUIRED



**B**  
1  
ARR 352 TRASH CABINET & PREP COUNTER  
QTY (1) REQUIRED



**C**  
1  
ARR 352 WATER TANK CABINET & COUNTER  
QTY (1) REQUIRED



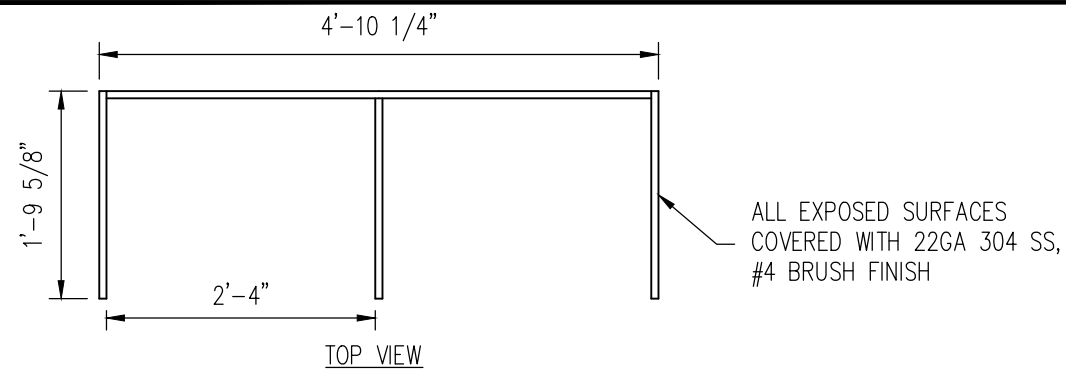
**D**  
1  
SECTION D - TYPICAL COUNTER TOP DETAIL  
SCALE: NTS

NOTES:

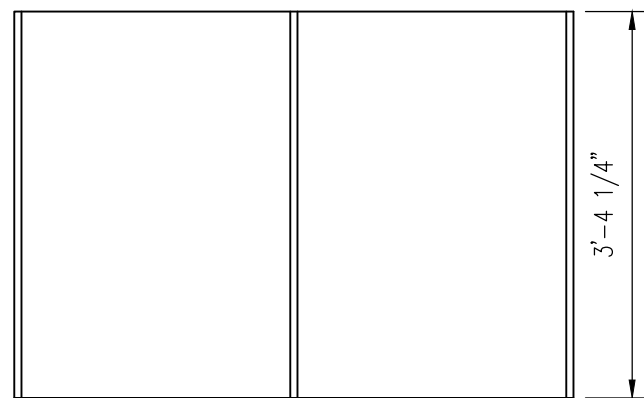
1. CABINET BOXES TO BE MADE FROM 3/4" CABINET GRADE PLYWOOD.
2. ALL DOORS SHALL BE FLUSH W/ CABINET BODY AND INSTALLED WITH SOFT-CLOSE HINGES.
3. ALL EXPOSED EXTERIOR SURFACES TO BE LAMINATED WITH FORMICA 920-58 'ALMOND', MATTE FINISH, ALL REMAINING SURFACES COVERED WITH WHITE LAMINATE.
4. ALL DIMENSIONS TO BE VERIFIED BY MANUFACTURER BEFORE COMMENCING WORK.
5. PROVIDE FOUR SHELVES PER CABINET EXCEPT FOR TRASH & MECHANICAL CABINETS.

<b>ALASKA RAILROAD CORPORATION</b> ENGINEERING SERVICES P.O. BOX 107500, ANCHORAGE, ALASKA 99510-7500		
PROJECT : <b>MOTIVE POWER AND EQUIPMENT PASSENGER EQUIPMENT</b>		
TITLE: <b>ARR 352 INTERIOR REFRUBISHMENT CABINETS AND COUNTER TOPS</b>		
DESIGNED BY: CDL	SCALE : NTS	AFE NO.: 10970 2022 FTA
DRAWN BY: CDL	DATE : NOVEMBER 2022	ACAD FILE:
CHECKED BY: ARRC		DWG NO. <b>1</b> OF <b>2</b>
APPROVED BY: ARRC		

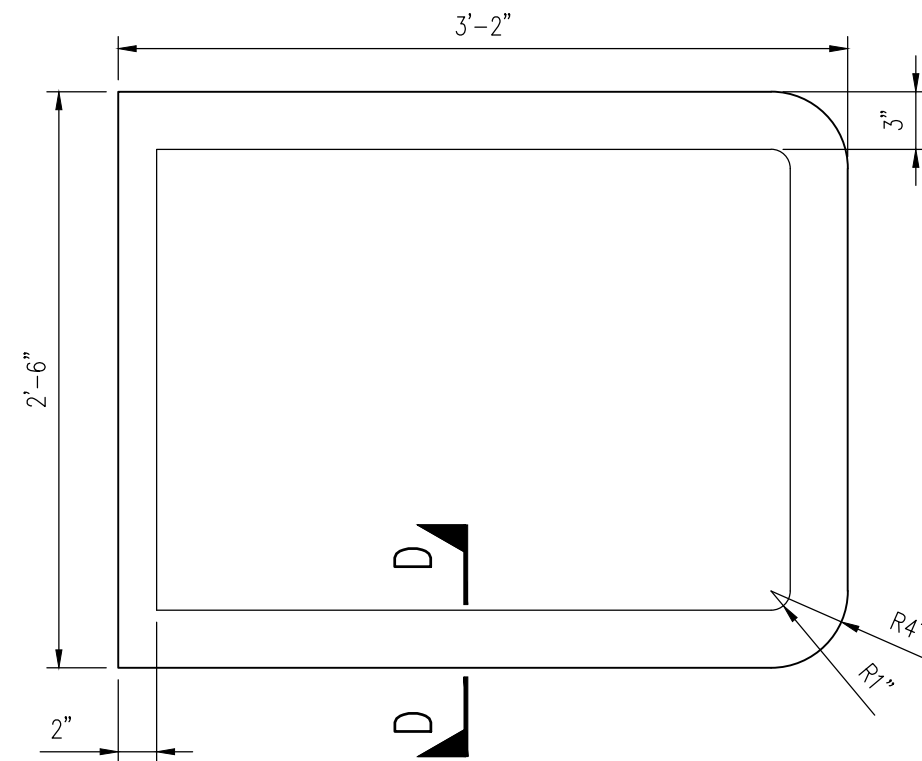
P:\Engineering\Motive Power and Equipment\2. Passenger\Passenger Equipment Rehab\2022 Projects\ARR 352 Interior Refresh\ARR 352 Proposed Arrangement.dwg



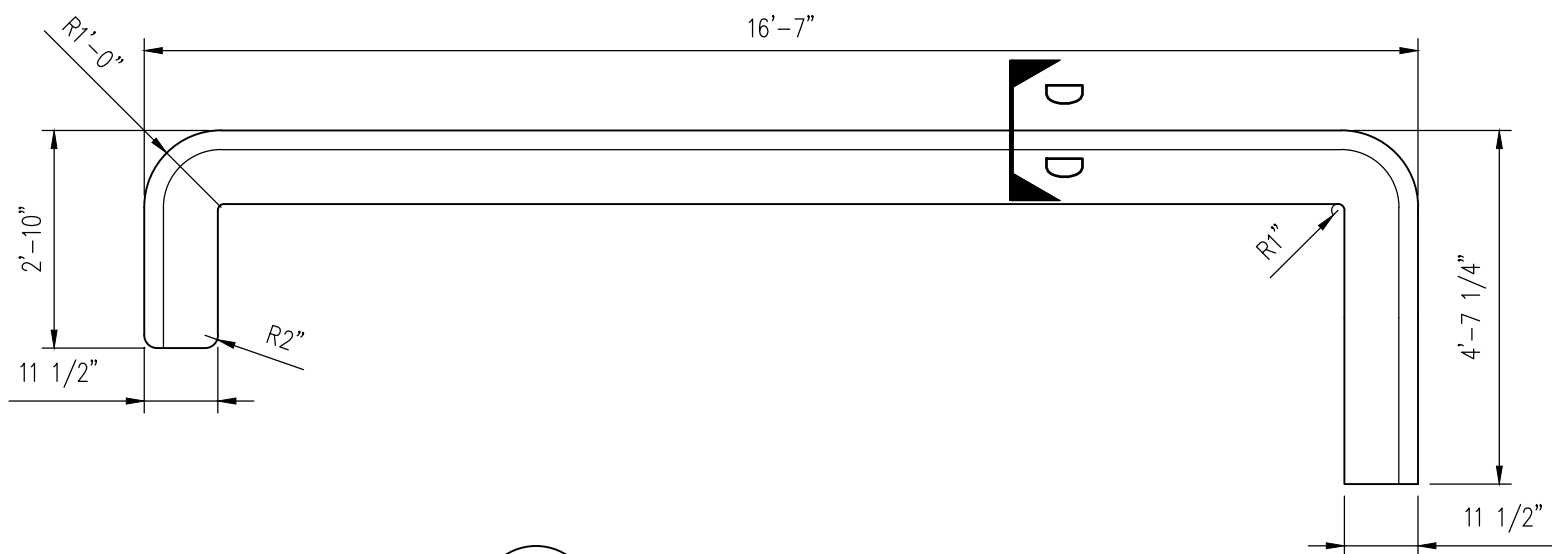
ALL EXPOSED SURFACES  
COVERED WITH 22GA 304 SS,  
#4 BRUSH FINISH



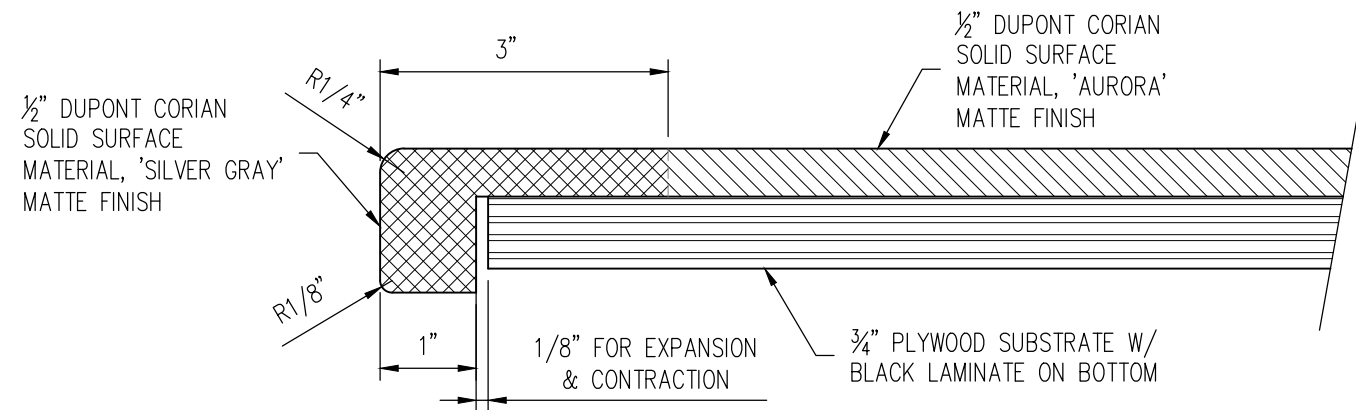
**A**  
2 ARR 352 UNDER-COUNTER REFRIGERATION CABINET  
CONSTRUCTED FROM 3/4" CABINET GRADE PLYWOOD, QTY (1) REQUIRED




**B**  
2 ARR 352 DINING TABLE  
QTY (7) REQUIRED



**C**  
2 ARR 352 GALLEY COUNTER TOP  
QTY (1) REQUIRED



**D**  
2 SECTION D - DINING TABLE & COUNTER TOP DETAIL  
SCALE: NTS

 <b>ALASKA RAILROAD CORPORATION</b> ENGINEERING SERVICES P.O. BOX 107500, ANCHORAGE, ALASKA 99510-7500		
PROJECT : <b>MOTIVE POWER AND EQUIPMENT PASSENGER EQUIPMENT</b>		
TITLE: <b>ARR 352 INTERIOR REFURBISHMENT DINING TABLES &amp; COUNTER TOP</b>		
DESIGNED BY: CDL	SCALE : NTS	AFE NO.: 10970 2022 FTA
DRAWN BY: CDL	DATE : NOVEMBER 2022	ACAD FILE:
CHECKED BY: ARRC		DWG NO.
APPROVED BY: ARRC		<b>2</b> OF <b>2</b>