

Proposed Amakdedori
Radio Repeater Station

Site Development Diagram

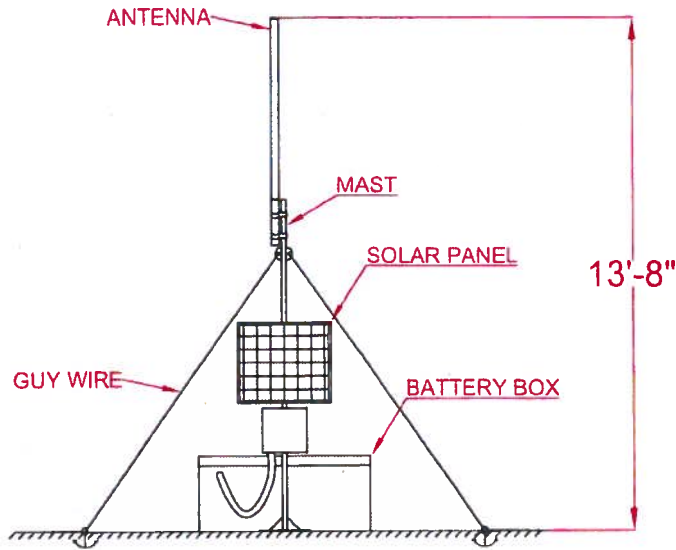
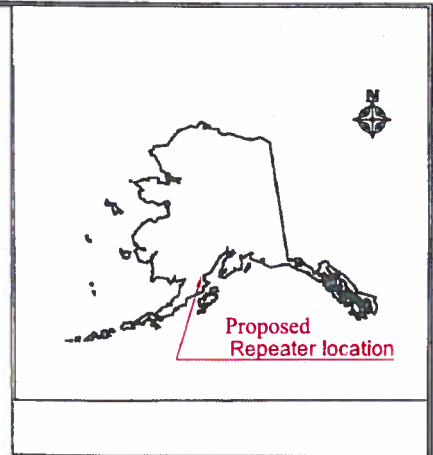


FIGURE A: REPEATER PROFILE



VICINITY MAP

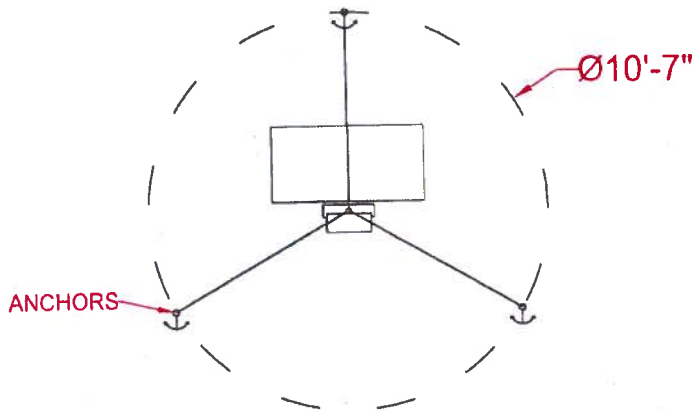


FIGURE B: REPEATER OVERVIEW

Date Prepared: 4/26/13	Applicant's Name: Pebble Limited Partnership
ALASKA DEPARTMENT OF NATURAL RESOURCES DIV. OF MINING, LAND, WATER LAND USE PERMIT	
SITE DEVELOPMENT DIAGRAM	
Sec.(s) <u>5</u> T. <u>10</u> S., R. <u>29W</u> , <u> </u> M Seward	
SHEET	1 of 1

LAS #