

CONSTRUCTION DOCUMENTS

UAA ANSEP ULA RENOVATION
UNIVERSITY LAKE BUILDING -
BUILDING AO 107
UNIVERSITY OF ALASKA ANCHORAGE
SIGNAGE SCHEDULE AND MOUNTING
HEIGHTS

PROJECT TITLE:
ADDRESS:
OWNER:
SHEET TITLE:

| NO | DESCRIPTION | DATE |
|----|-------------|------|
| | | |
| | | |
| | | |
| | | |
| | | |
| | | |
| | | |
| | | |
| | | |

DATE : 2017.04.07
PROJECT NO : 151065.101
DRAWN BY : Author
CHECKED BY : Checker
COPYRIGHT : 2017 RIM ARCHITECTS

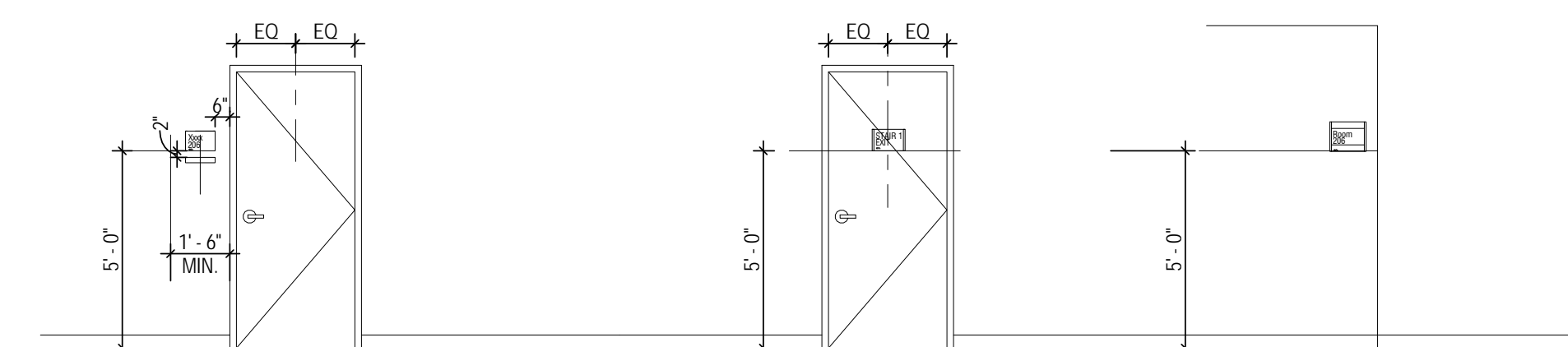
CORPORATE NO. AECL 1227

DWG NO:

A602

| | | SIGNAGE SCHEDULE- OPTION A | | | | | |
|-------------------|-------------|----------------------------|--------|---|---|---|--------|
| ROOM NAME | ROOM NUMBER | SIGN TYPES | | | | | |
| | | A | B | C | D | E | DETAIL |
| OFFICE | 103 | OFFICE | | | | | 1/A602 |
| RESITATION | 104 | RECITATION | | | | | 1/A602 |
| STORAGE/SPRINKLER | 105 | STORAGE /SPRINKLER | | | | X | 5/A602 |
| STORAGE | 129 | STORAGE | | | | | 1/A602 |
| VESTIBULE | 100V1 | | | | | | |
| UNISEX | 100T1 | | UNISEX | | | | 2/A602 |
| JANITOR | 100T2 | JANITOR | | | | | 1/A602 |
| COMM | 100D1 | ELECT/COMM | | | | X | 1/A602 |
| MEN | 100M1 | | MEN | | | | 2/A602 |
| WOMEN | 100W1 | | WOMEN | | | | 2/A602 |
| CLASSROOM | 104 | | | | X | | 4/A602 |
| OFFICE 4 | 131 | OFFICE | | | | | 1/A602 |
| ELEC | 100U1 | ELECTRICAL | | | | | 1/A602 |
| OFFICE 5 | 123 | OFFICE | | | | | 1/A602 |
| VESTIBULE | 100V2 | | | | | | |
| BREAK | 100K1 | BREAK ROOM | | | | | 1/A602 |
| HALL | 100C1 | | | | | | |
| RECITATION 1 | 101 | RECITATION | | | | | 1/A602 |
| OFFICE 1 | 103 | OFFICE | | | | | 1/A602 |
| OFFICE 2 | 130 | OFFICE | | | | | 1/A602 |
| RECITATION 4 | 131 | RECITATION | | | | | 1/A602 |
| RECITATION 5 | 132 | RECITATION | | | | | 1/A602 |
| RECITATION 6 | 133 | RECITATION | | | | | 1/A602 |
| RECITATION 2 | 134 | RECITATION | | | | | 1/A602 |
| RECITATION 3 | 143 | RECITATION | | | | | 1/A602 |
| OFFICE 3 | 141 | OFFICE | | | | | 1/A602 |
| HALL | 100C2 | | | | | | |
| HALL | 100C3 | | | X | | | 3/A602 |

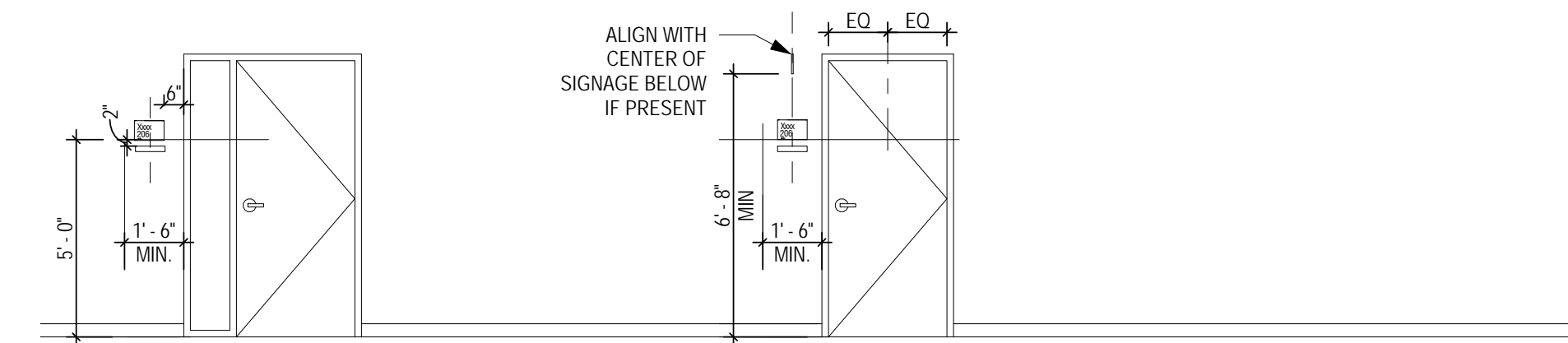
SIGNAGE MOUNTING HEIGHTS, TYPICAL



SIGN MOUNT LOCATION 1
SIGN LOCATION FOR ADA COMPLIANCE. MOUNT SIGN ON LATCH SIDE OF DOOR. CENTER SIGN HORIZONTALLY WITHIN THE 18" CLEARANCE FOR ADA. SIGN SHOULD BE MOUNTED SO THAT BRAILLE LINE IS 60" AFF MINIMUM.

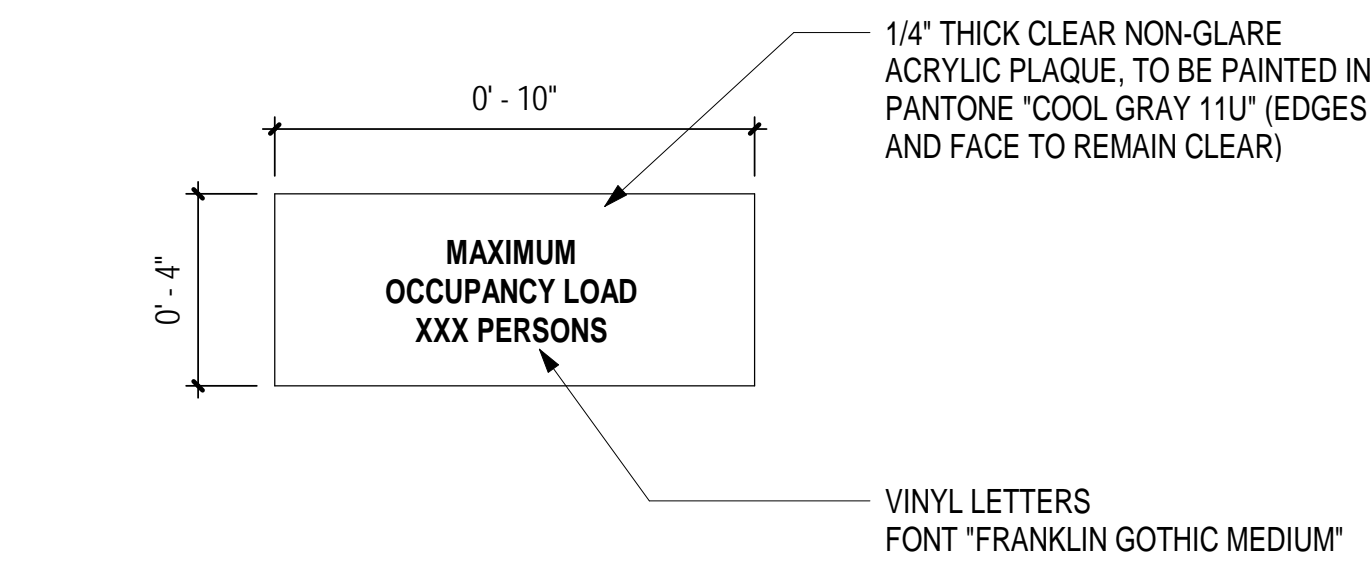
SIGN MOUNT LOCATION 2
CENTER SIGN ON DOOR. FIELD ADJUSTMENTS MAY BE NEEDED TO ACCOMMODATE EXISTING OBSTACLES. SIGNS SPECIFIED WITH THIS MOUNT SHOULD BE INSTALLED SO THAT BRAILLE LINE IS 60" AFF MINIMUM UNLESS OTHERWISE NOTED. ALSO USE THIS LOCATION WHEN SIGN MOUNT LOCATION 1 CANNOT BE ACHIEVED.

SIGN MOUNT LOCATION 3
CENTER SIGN HORIZONTALLY WITHIN THE 18" CLEARANCE FOR ADA. MOUNT SIGN SO THAT BRAILLE LINE IS 60" AFF MINIMUM.

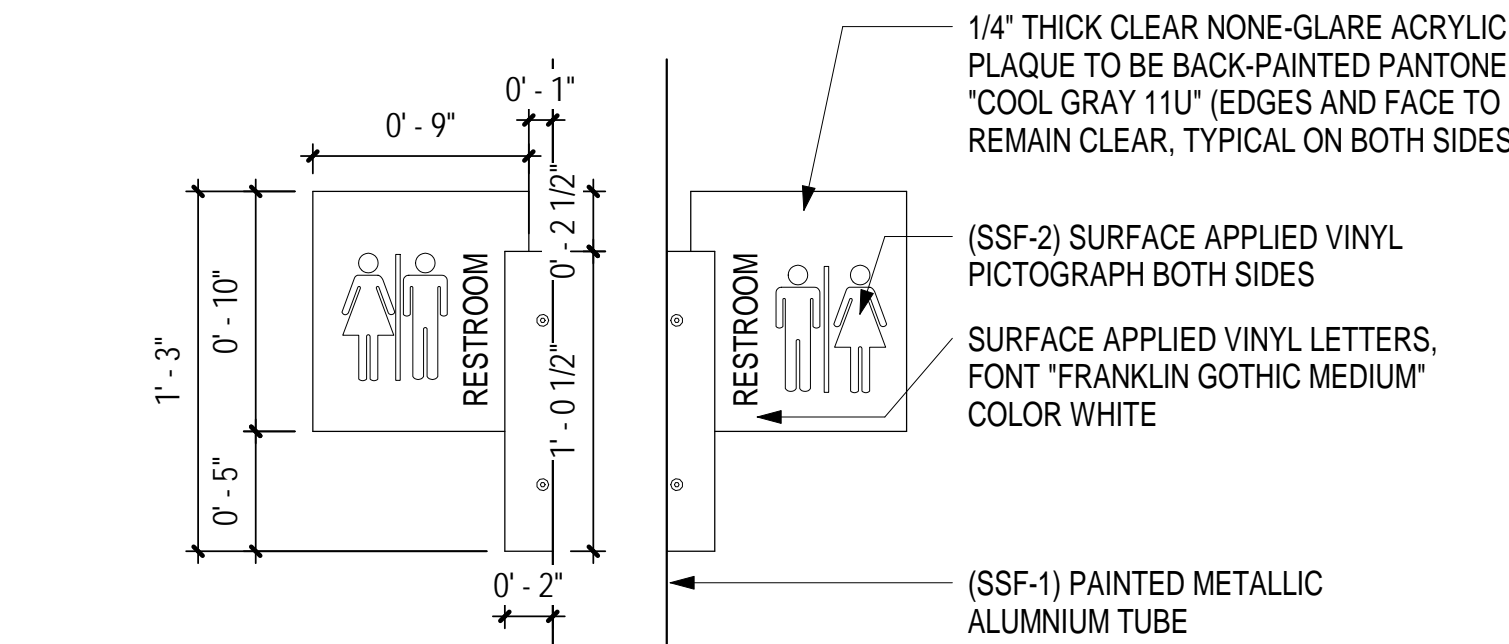


SIGN MOUNT LOCATION 4
SIGN LOCATION FOR ADA COMPLIANCE WHERE RELITE OCCURS. CENTER SIGN HORIZONTALLY WITHIN THE 18" CLEARANCE FOR ADA ADJACENT TO THE RELITE. SIGN SHOULD BE MOUNTED SO THAT BRAILLE LINE IS 60" AFF MINIMUM.

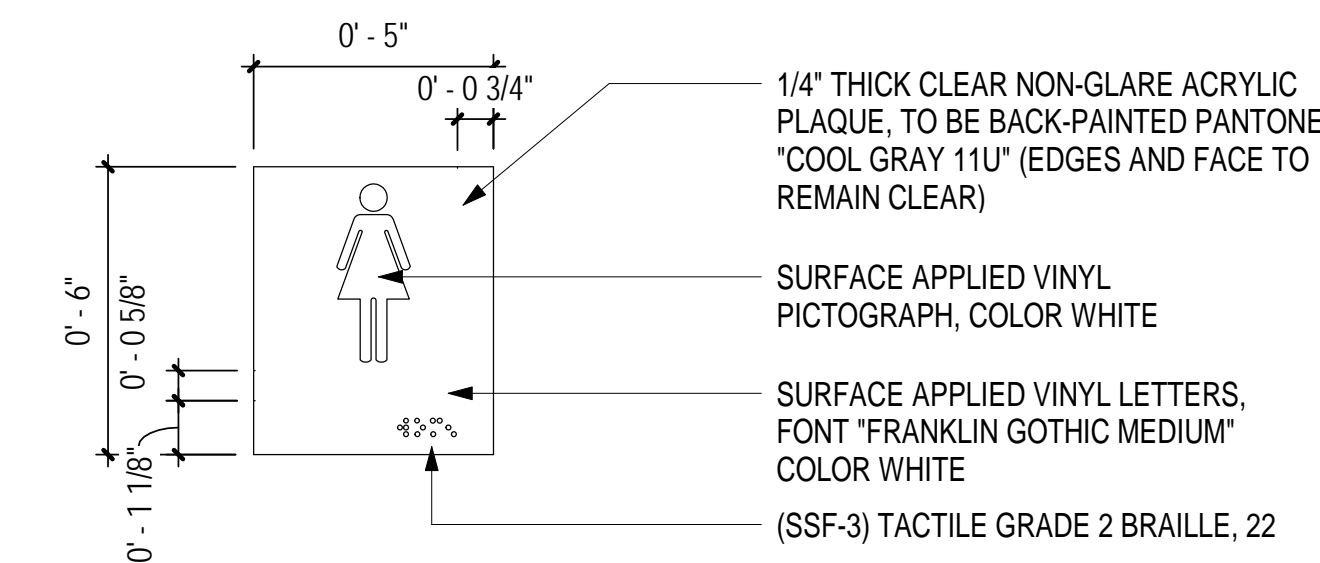
SIGN MOUNT LOCATION 5
SIGN LOCATION FOR ADA COMPLIANCE WITH WALL MOUNT FLAG SIGN OCCURS. MOUNT SIGN ON LATCH SIDE OF DOOR. CENTER SIGN HORIZONTALLY ABOVE IDENTITY SIGNAGE BELOW IF PRESENT. IF NO OTHER SIGNAGE IS PRESENT OR SIGN IS NOT LOCATED ADJACENT TO DOOR LOCATE 6" FROM DOOR JAMB OR WALL EDGE. SIGN SHOULD BE MOUNTED SO THAT BOTTOM OF SIGN IS 80" AFF MINIMUM.



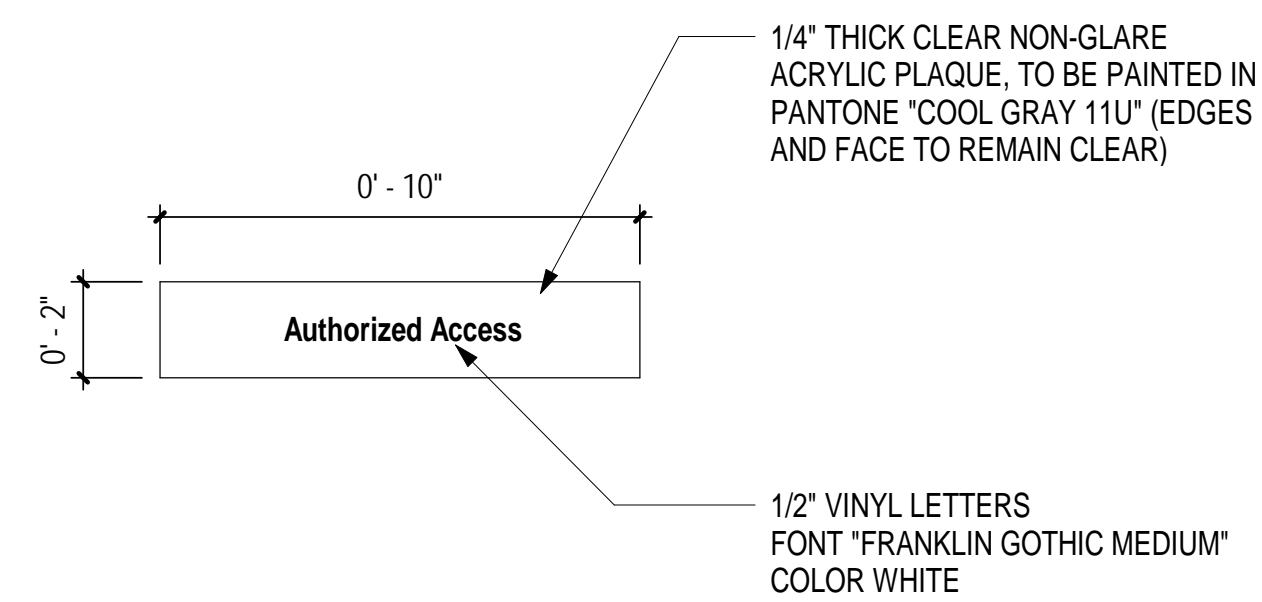
4 SIGN TYPE D
3" = 1'-0"



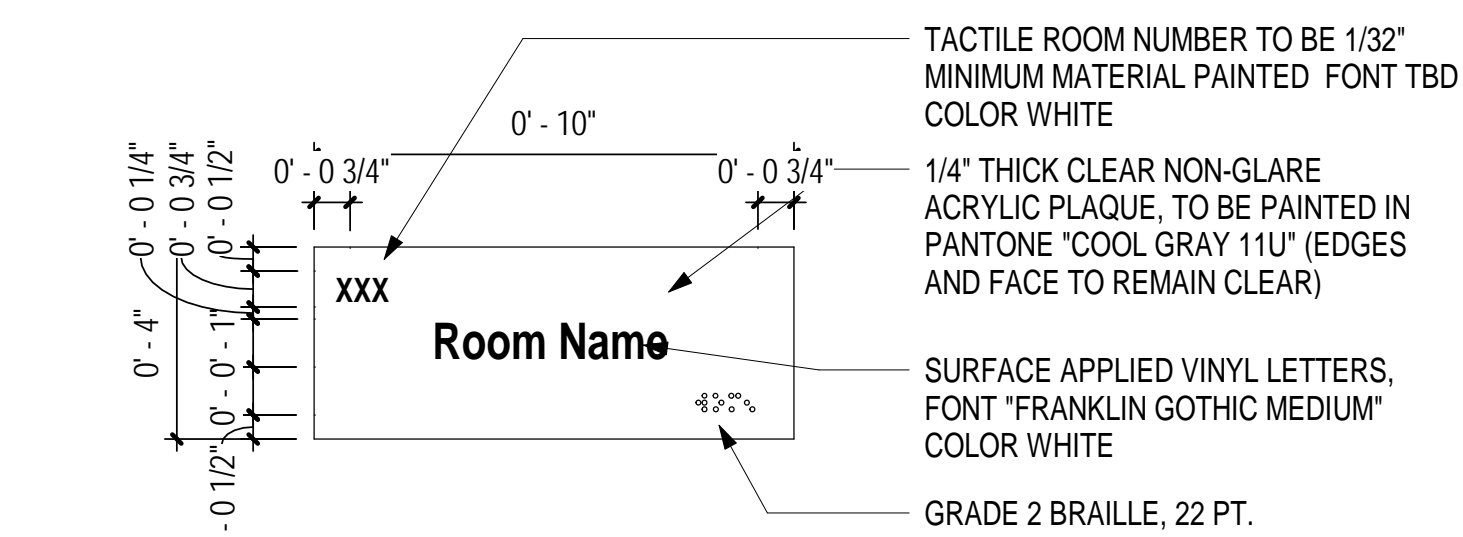
3 SIGN TYPE C
1 1/2" = 1'-0"



2 SIGN TYPE B
3" = 1'-0"



5 SIGN TYPE E
3" = 1'-0"



1 SIGN TYPE A
3" = 1'-0"