

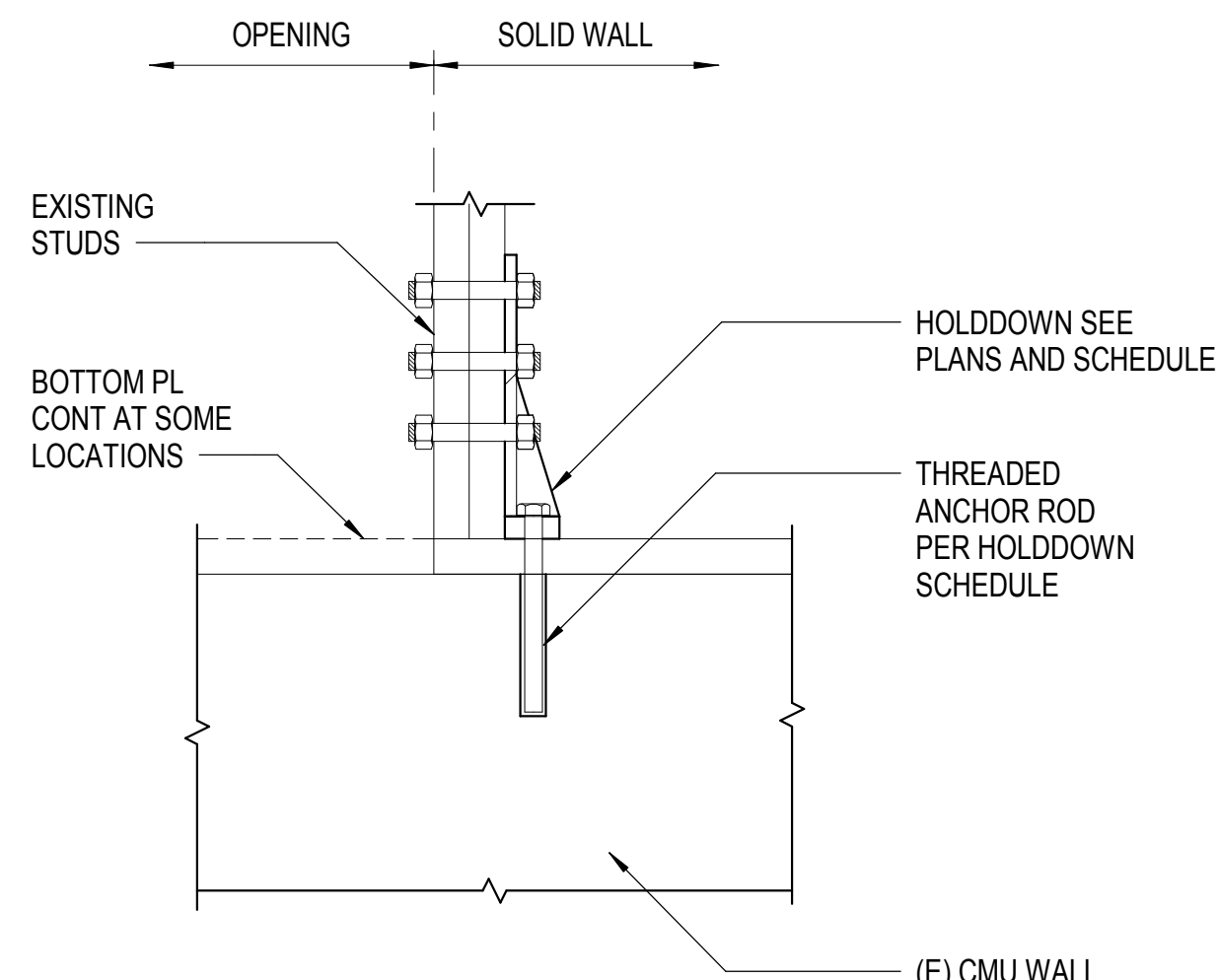
4/7/2017 3:44:32 PM

C

B

A

C:\Users\chad.BBFM\Documents\217029 R17_Chad.rvt



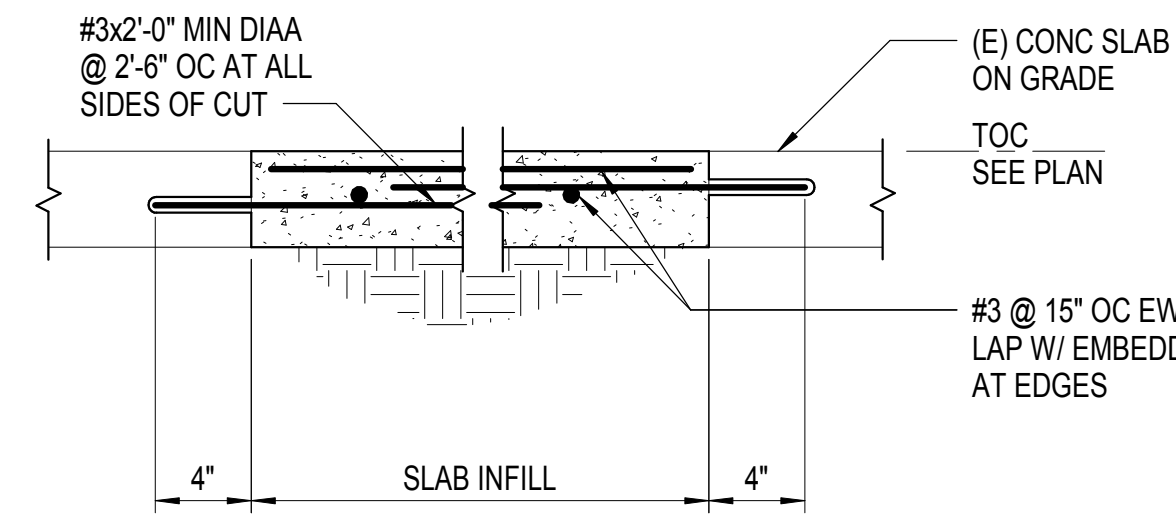
NOTE: ANCHOR TO BE A MINIMUM OF 2 3/4" FROM FACE OF (E) CMU.

1 STUD AT HOLDDOWN
1 1/2" = 1'-0"

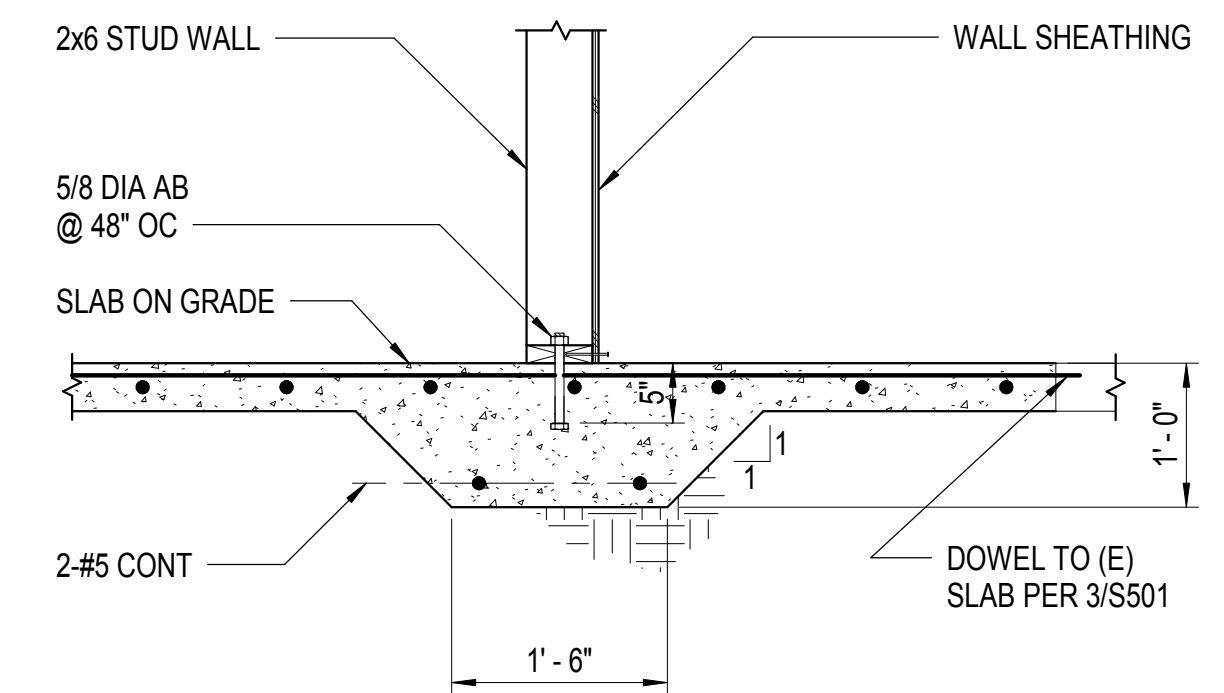
HOLDDOWN SCHEDULE				
HOLDDOWN	HD STUD	ANCHOR DIA	ANCHOR EMBED TO EXISTING CMU	ANCHOR EMBED IN CONCRETE
DTT2Z	1-2x	1/2"	12"	5"
HDU4	2-2x	5/8"	15"	5"

- NOTES:
- ALL ANCHORS SHALL BE ASTM F1554, GRADE 36 IN SIMPSON STRONG-TIE SET-XP ADHESIVE AT EXISTING CMU AND CAST-IN-PLACE AT CONCRETE. SPECIAL INSPECTION REQUIRED.
 - IF (E) STUDS ARE LESS THAN SHOWN ADD STUD(S) AND NAIL TO (E) W/ 16d @ 6" OC STAGGERED.

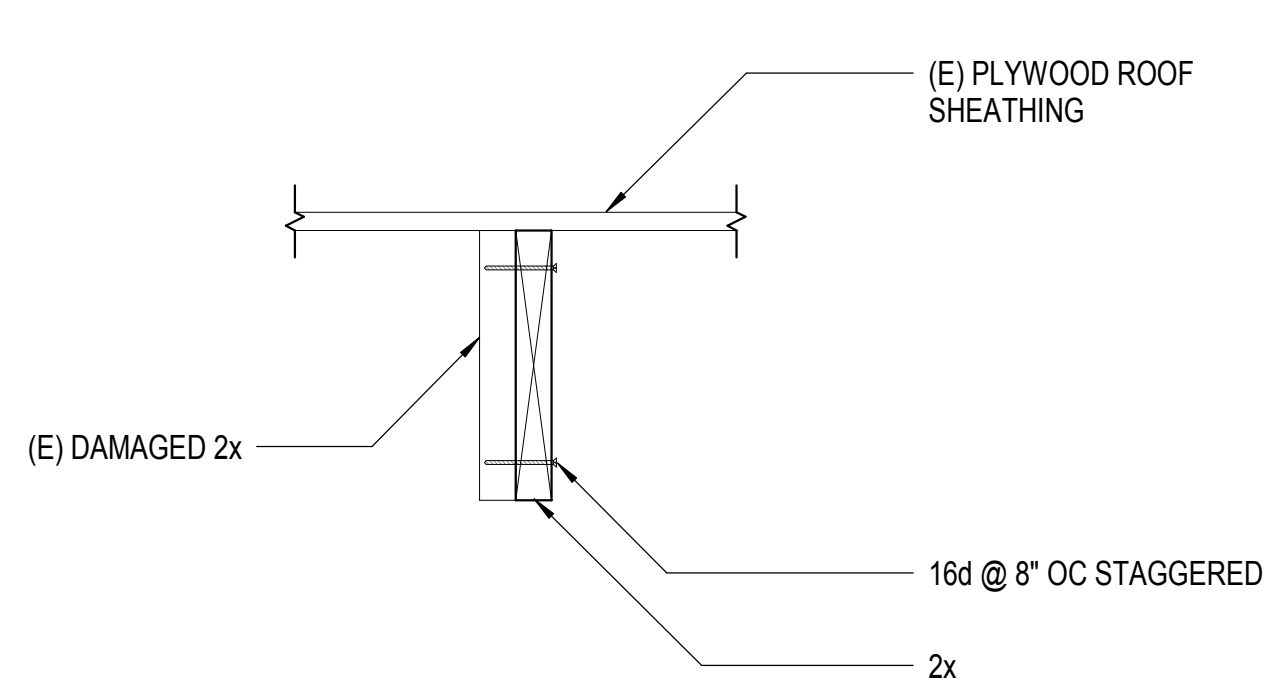
2 HOLDDOWN SCHEDULE
NTS



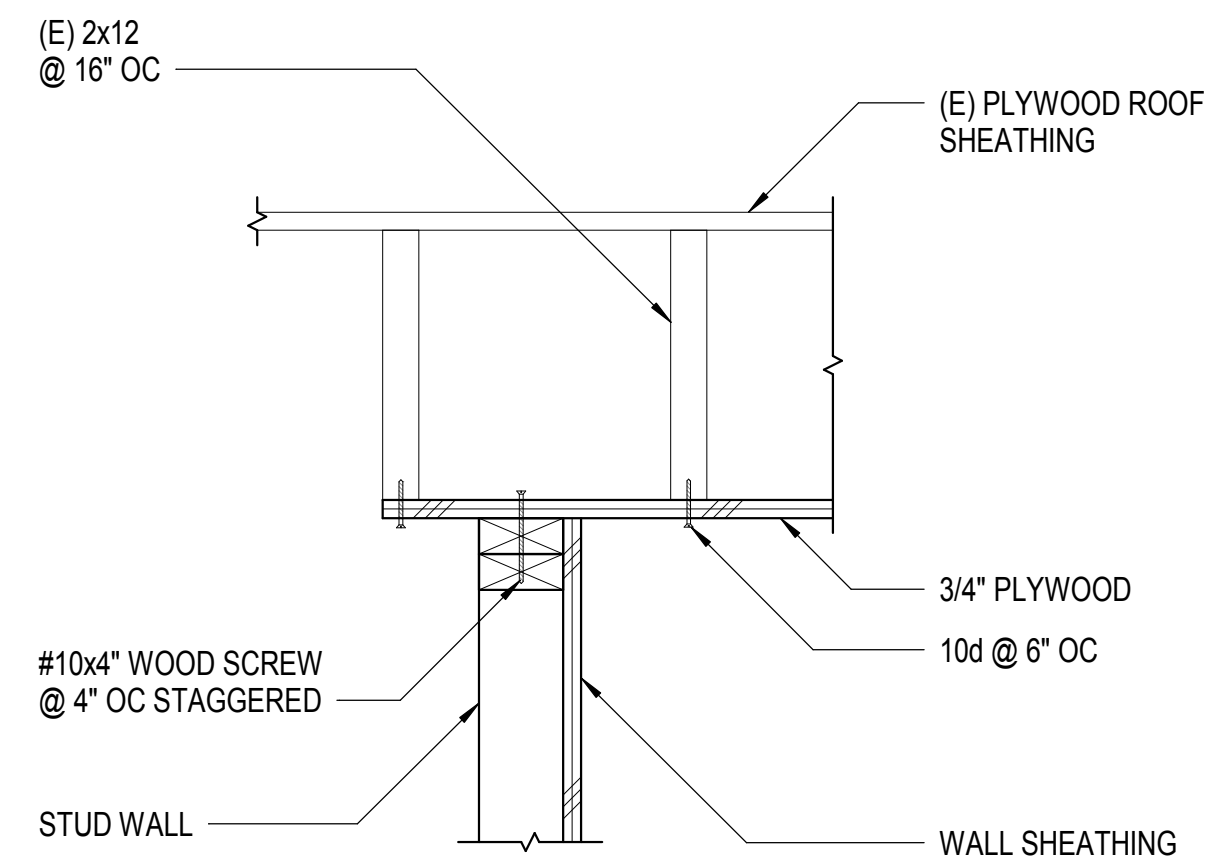
3 SLAB ON GRADE INFILL
1 1/2" = 1'-0"



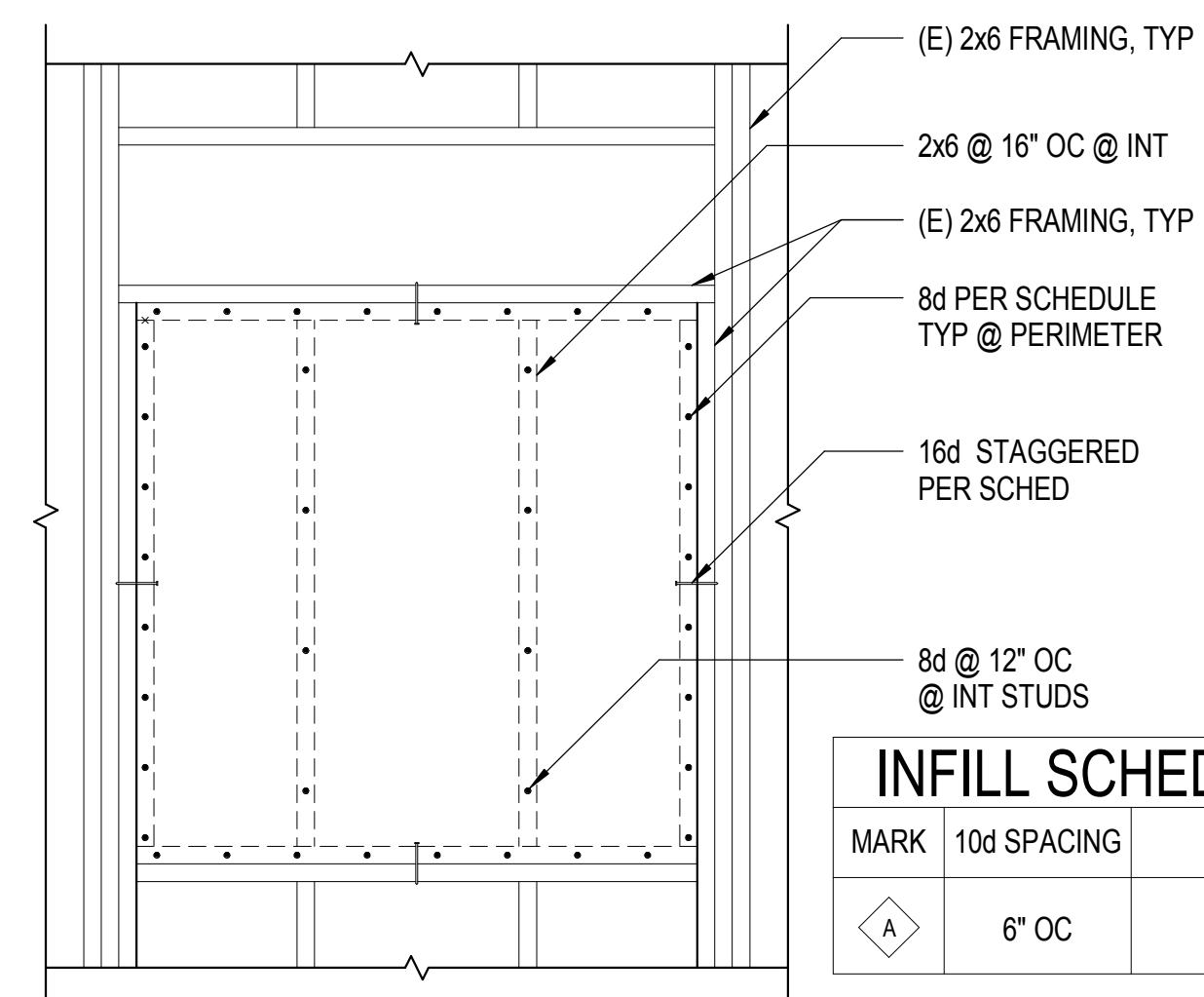
4 WALL FOOTING
3/4" = 1'-0"



5 NEW TO (E) 2x
1 1/2" = 1'-0"

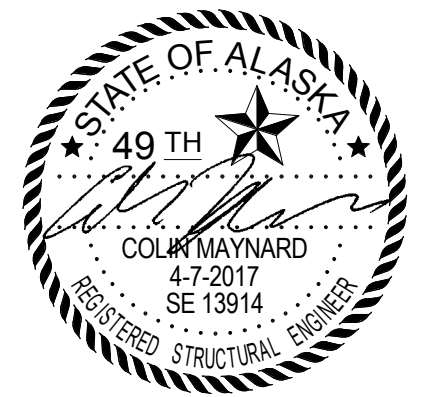
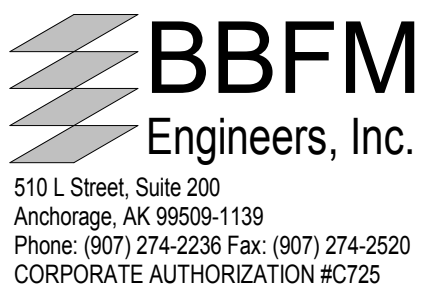


6 SHEAR WALL TO (E) ROOF
1 1/2" = 1'-0"



INFILL SCHEDULE		
MARK	10d SPACING	SILL
A	6" OC	16d 6" OC

10 INFILL SCHEDULE AND DETAIL
3/4" = 1'-0"



UAA ANSEP ULA RENOVATION
UNIVERSITY LAKE BUILDING -
BUILDING AO 107
UNIVERSITY OF ALASKA ANCHORAGE
DETAILS

PROJECT TITLE:
ADDRESS:
OWNER:
SHEET TITLE:

NO	DESCRIPTION	DATE

DATE : 2017.04.07
PROJECT NO : 217029
DRAWN BY : JWC
CHECKED BY : CM
COPYRIGHT :

2015 RIM ARCHITECTS

DWG NO:
S501